



Heyco® .187" Diameter Ground Pins - Male

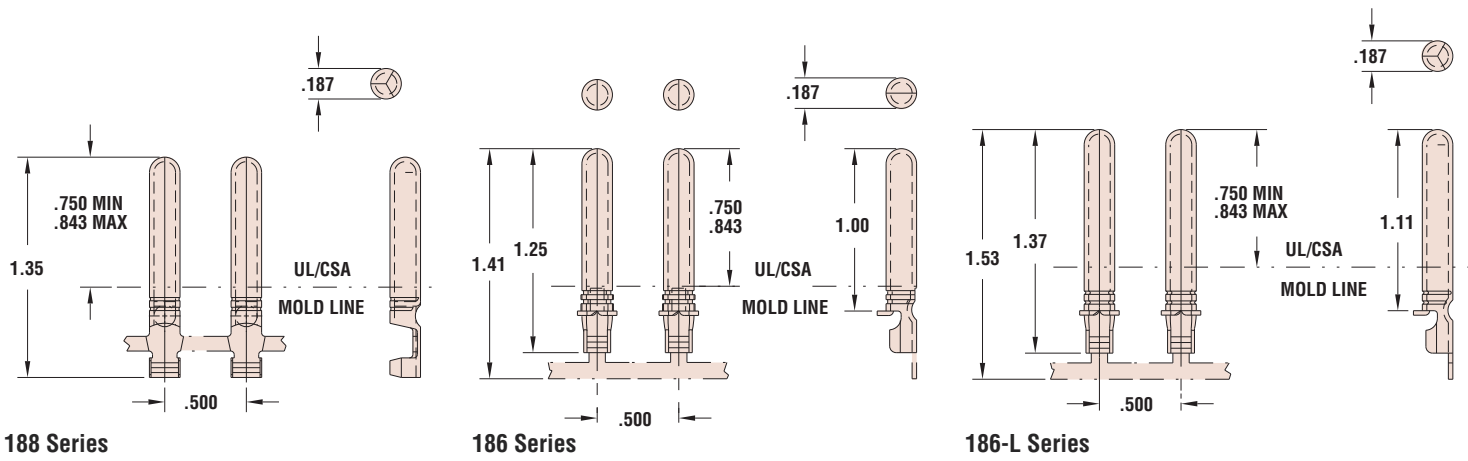
For Heyco Padded and Full Thickness Blades, see pages 8-29 thru 8-34

All Series:

- **187" (4,7 mm)** Outside Diameter.
- Conductor crimp ears only.
- Available only in continuous strip form except **Part No. 5877** available Bulk only.
- Overall length options of 1.25" (31,8 mm), 1.35" (34,3 mm), and 1.37" (34,8 mm).
- **Series 186 and 186-L** feature a 90° "knee" section for **strain relief** and assembly orientation.
- DFARS Compliant

Overall Length in.	PART DATA		PART NO.	Die**	APPLICATION TOOLING*			Crimp Punch	Anvil
	AWG Range	Material			Feeds	Tool Packs			
188 Series									
1.35	18-12	Brass	5922	5922UXX5	Left to Right	B362L/B363L	C360	C629	
		Tin-Pl	5921	5921UXX5					
		Brass	5923	5923UXX5	Right to Left	B362R/B363R	C360	C365	
		Tin-Pl	5924	5924UXX5					
186 Series									
1.25	18-14	Brass	5877	-	Bulk	-	-	-	-
		Brass	5879	5879UXX5					
	Tin-Pl	5883	5883UXX5	Right to Left	B360R/B361R				
	Brass	5880	5880UXX5						
	14-10	Brass	5881	5881UXX5					
186-L Series									
1.37	18-14	Brass	5889	5889UXX5	Left to Right	B360L/ B361L	C001	C009	
	14-10	Brass	5888	5888UXX5					
	18-14	Brass	5886	5886UXX5	Right to Left	B360R/B361R			
	Tin-Pl	5887	5887UXX5						
14-10	Brass	5884	5884UXX5						
	Tin-Pl	5885	5885UXX5						

* Heyco high volume Application Tooling, designed for 3-5 ton presses - see page 8-59.
 Heyco Mini Applicators, designed for 1.5-3 ton bench top presses, are available - see page 8-59.
 ** "XX" represents Wire Gauge. Please specify Wire Gauge when ordering.



Quick Specs

Materials

Alloy 260 Brass (70% Cu, 30% Zn. Higher Cu content resists dezincification)
 Tin-Pl = Brass, Tin plated before or after stamping