

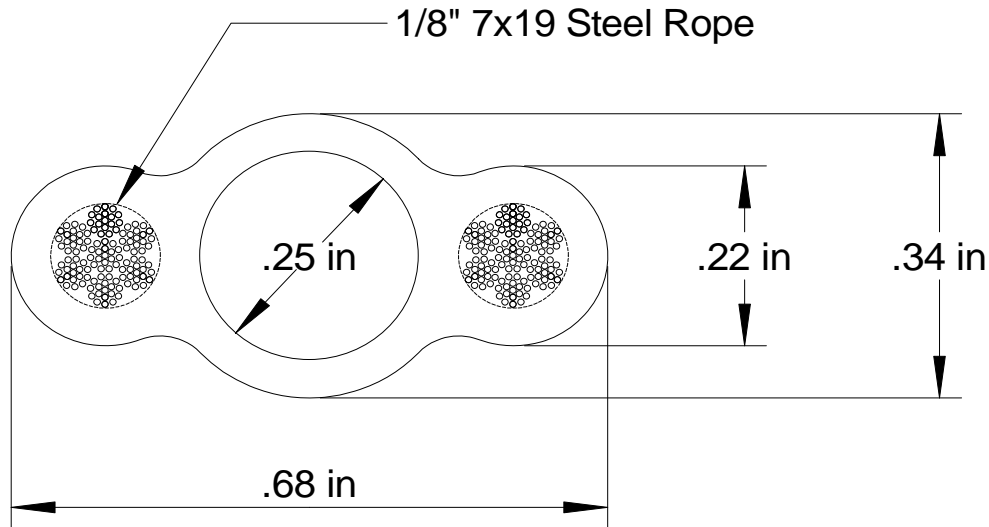
Description: 2 X 1/8" Steel Messenger Supported Tube

Date: 12/23/2015

JM Part Number: TBD

Reference: TBD

All Dimensions Are Nominal


Components

Two 1/8" 7x19 Galvanized Steel Messenger, 7 x 19

.125"

Overall Cable Construction

 Jacket: 2 X 1/8" Galvanized Steel Messengers
 .250" Nominal OD Free Formed Tube
 Nominal .045" Wall of Black Extruded HDPE

Nominal Dimensions: .340" x .680"

Written By:	rac	12/23/2015	Rev. 0	Initial Issue
Revised By:	jrt	2/23/2015	Rev. 01	Drawing Update
Revised By:				
Revised By:				