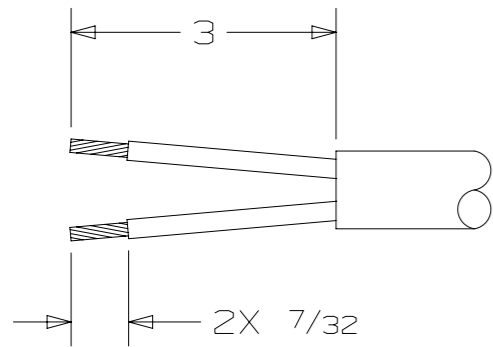
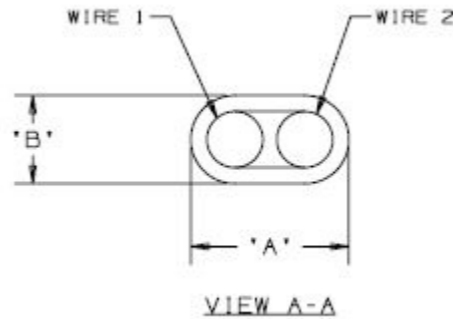
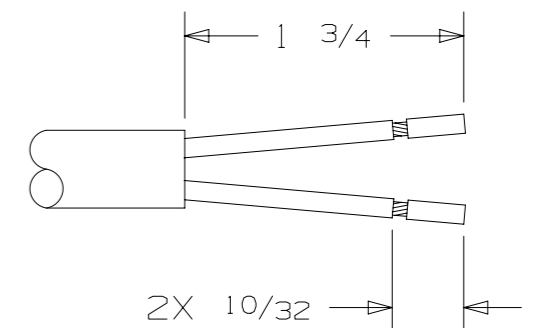


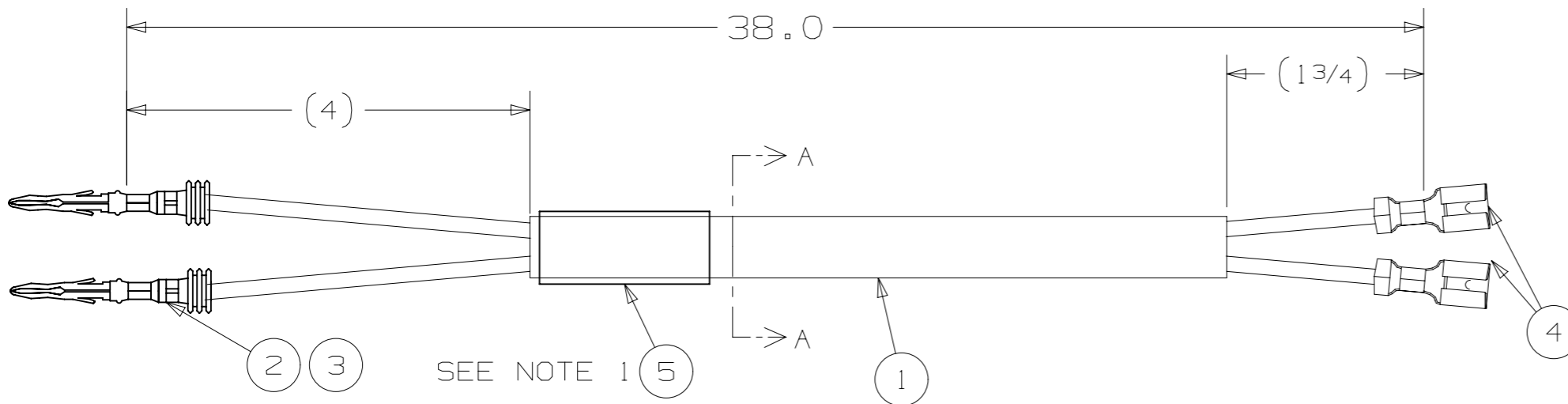
STRIPPING DETAIL



STRIPPING DETAIL



CABLE SIZE
 A = 0.25 ± 0.010"
 B = 0.15 ± 0.005"



SEE NOTE 1

NOTES:

1. ADHESIVE, LAMINATED LABEL TO BE PLACED AS SHOWN. LABEL TO CONTAIN THE PART NUMBER AND DATE/LOT CODE.
2. ALL PARTS TO BE TESTED FOR CONTINUITY
3. PARTS TO BE PACKAGED IN BUNDLES OF 50 WITH TWIST-TIES.
4. PARTS MUST BE RoHS COMPLIANT

REV	DATE	DESCRIPTION	ECN	DWN	APVD
1	2-11-16	REMOVED CONNECTOR, ADDED 8 INCHES TO HARNESS, ADDED LABEL	41472A	TNH	SJL
X1	2-11-16	RELEASED FOR PPAP	41472A	TNH	SJL
0	1-5-16	RELEASE	41472A	NSK	SJL
B	12-7-15	REVISED AFTER PRINT REVIEW ADDED A-A SECTION LINE	41472A	NSK	*CCW
A	11-9-15	PRELIMINARY	41472A	NSK	*CCW

REVISION HISTORY

CONFIDENTIAL AND PROPRIETARY INFORMATION
 THIS DRAWING CONTAINS CONFIDENTIAL PROPRIETARY INFORMATION OWNED BY TRUCK-LITE CO., LLC AND IS SUBJECT TO RETURN UPON REQUEST. THE FURNISHING OF THIS DRAWING IS NOT TO BE CONSTRUED AS THE GRANT OF ANY LICENSE, EITHER EXPRESSED OR IMPLIED, TO MANUFACTURE, HAVE MANUFACTURED, USE OR SELL THE STRUCTURES SHOWN HEREON.
 TO THE EXTENT THE PRODUCTS IDENTIFIED CONTAIN GOLD (AU), TANTALUM (TA), TUNGSTEN (W) AND TIN (SN) OR DERIVATIVE, NO PRODUCT WILL CONTAIN CONFLICT MINERALS (AS DEFINED IN THE U.S. DODD-FRANKWALL STREET REFORM AND CONSUMER PROTECTION ACT 1502), SOURCED FROM AREAS IDENTIFIED AS CONFLICT REGIONS.
 COMPONENTS MAY CONTAIN ONLY THE SPECIFIED MATERIAL. MATERIAL CHANGES AND/OR SUBSTITUTIONS ARE STRICTLY PROHIBITED WITHOUT THE EXPRESS WRITTEN CONSENT OF TRUCK-LITE CO., LLC. THE PRESENCE OF CONTAMINANTS (INCLUDING, BUT NOT LIMITED TO: LUBRICANTS, CLEANING AGENTS, OR OTHER FOREIGN SUBSTANCES OR RESIDUES) IS STRICTLY PROHIBITED WITHOUT EXPRESS WRITTEN CONSENT OF TRUCK-LITE CO., LLC.

REFERENCE DRW. NO.	THIRD ANGLE PROJECTION	DIMENSIONS ARE: INCHES STRIP LENGTH TOL.: ±1/32 CUT LENGTH: TOLERANCE: 0 to less than 37 ±1/4 37 to less than 61 ±1/2 61 to less than 121 ±1 121 to --- ±2
CUST./SUPPLIER PART NO.	CAD DATA SOURCE UNIGRAPHICS	



TRUCK-LITE CO., LLC
 FALCONER, NEW YORK USA

S/A-HARN, 38N AUX HEATER

SCALE: NTS	MOLD/TOOL NO.: -	PART NO.: 4316	DRW. NO.: 68596B1
------------	------------------	----------------	-------------------

ITEM	DESCRIPTION	QTY
5	LABEL - ADHESIVE, LAMINATED LABEL	1
4	TERMINAL-AMP - 42400-1, 18-14GA	2
3	SEAL-DELPHI 15324982/12015284, GREEN	2
2	TERMINAL-DELPHI 12124582, 16GA	2
1	CABLE-FLAT 2 COND, 16GA GXL, BLK/WHT	38.0 in