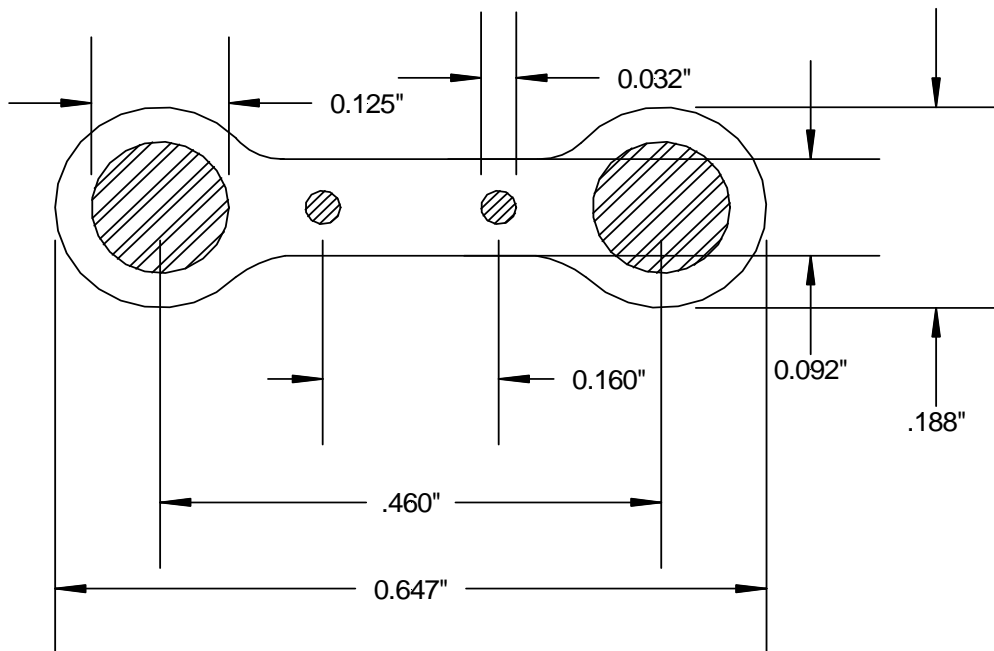


Description: 2 Steel Messenger and 2C/20 STC HDPE Jacket.

Date: 2/22/2016

JM Part Number: JM57631

Reference: TBD

All Dimensions Are Nominal

Components
Component A: Two 1/8" Galvanized Steel Messenger, 7 x 19 .125"

Component B: Two 20 AWG Solid TC Conductors .032"

Overall Cable Construction

Jacket: 2 Component A and 2 Component B

Nominal .031 Wall of Natural Extruded HDPE

Nominal Dimensions: .187" x .647"

Written By:	RL	2/22/2016	Rev. 0	Initial Issue
Revised By:	JRT	2/22/2016	Rev.01	Assign JM Part Number
Revised By:				
Revised By:				