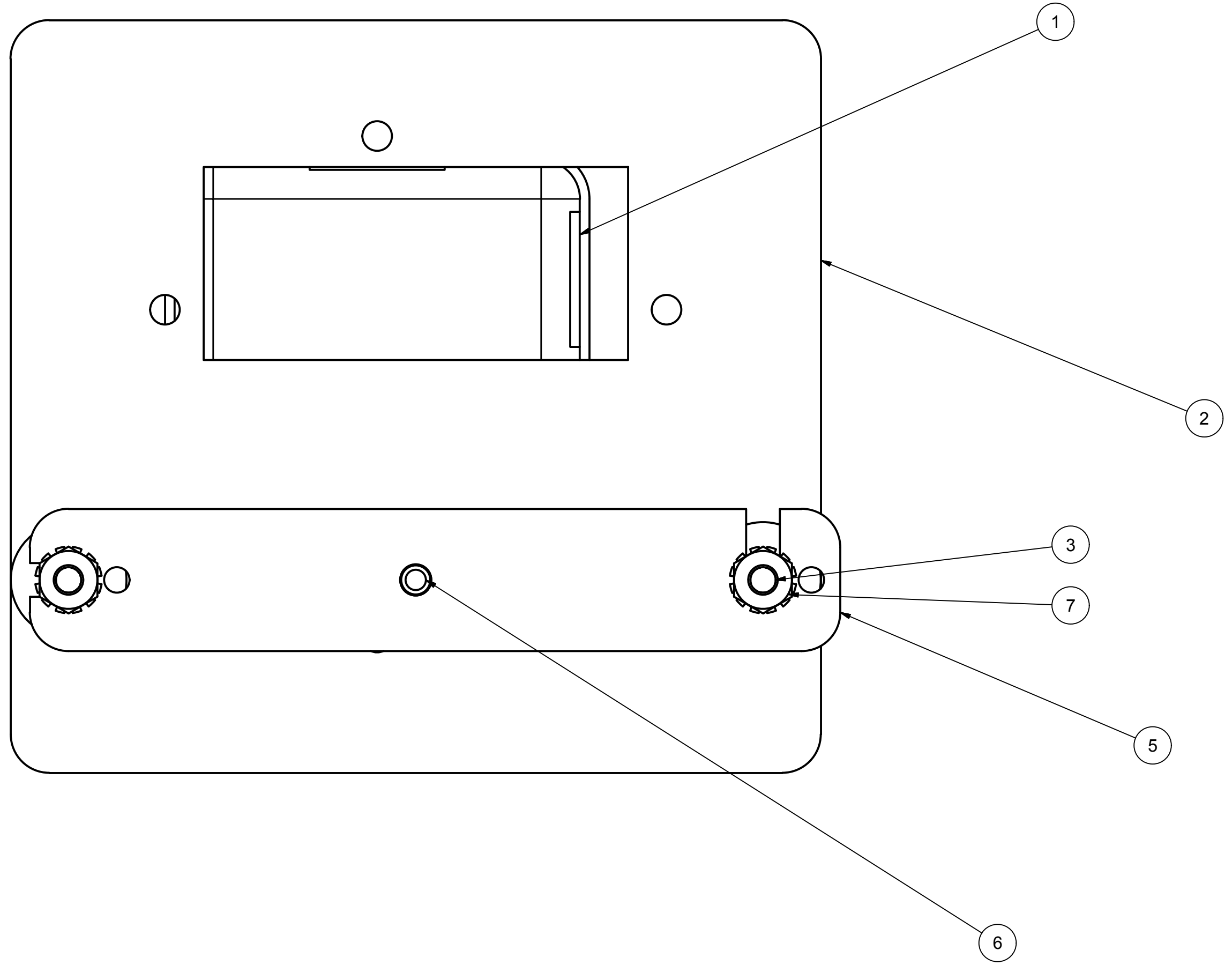
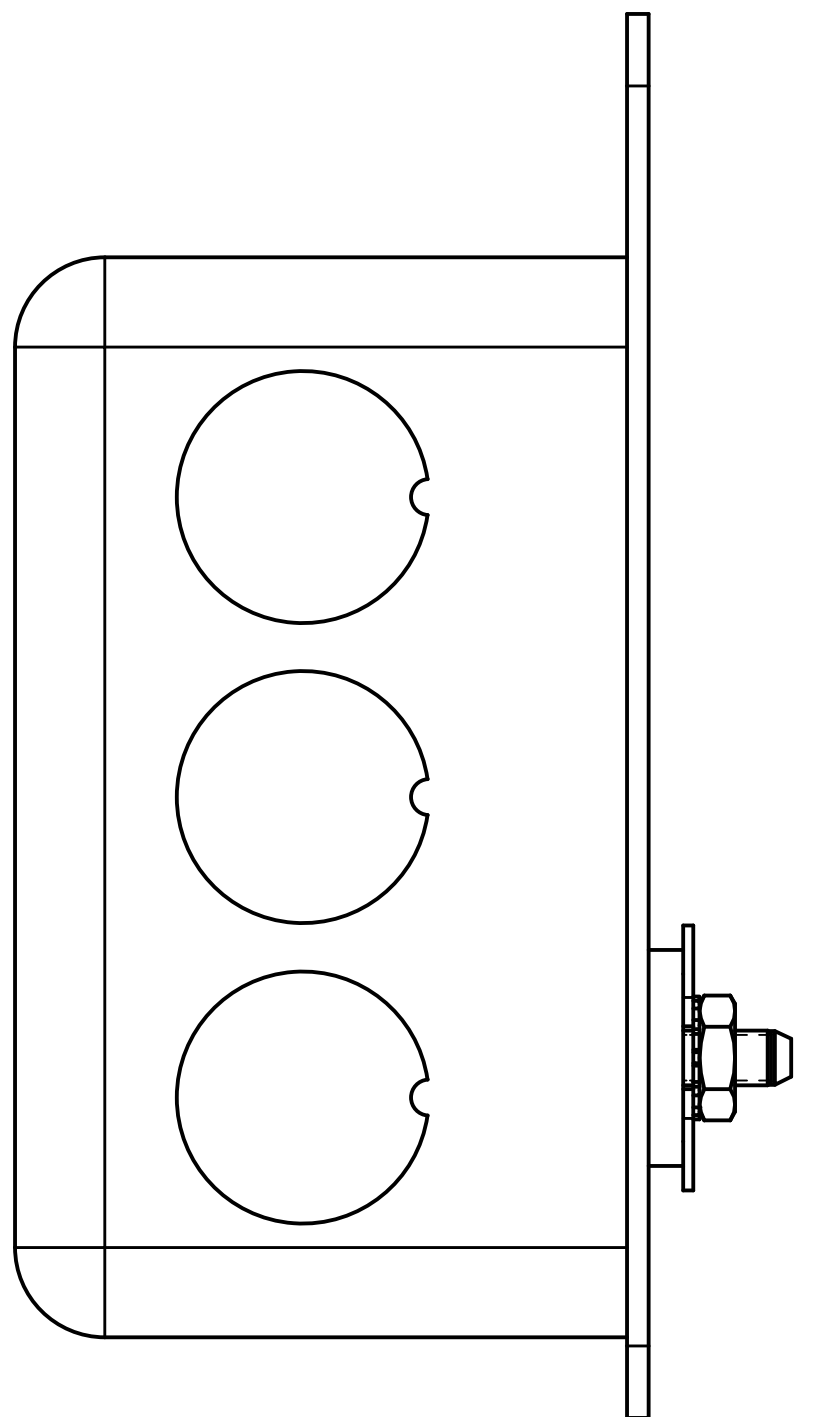
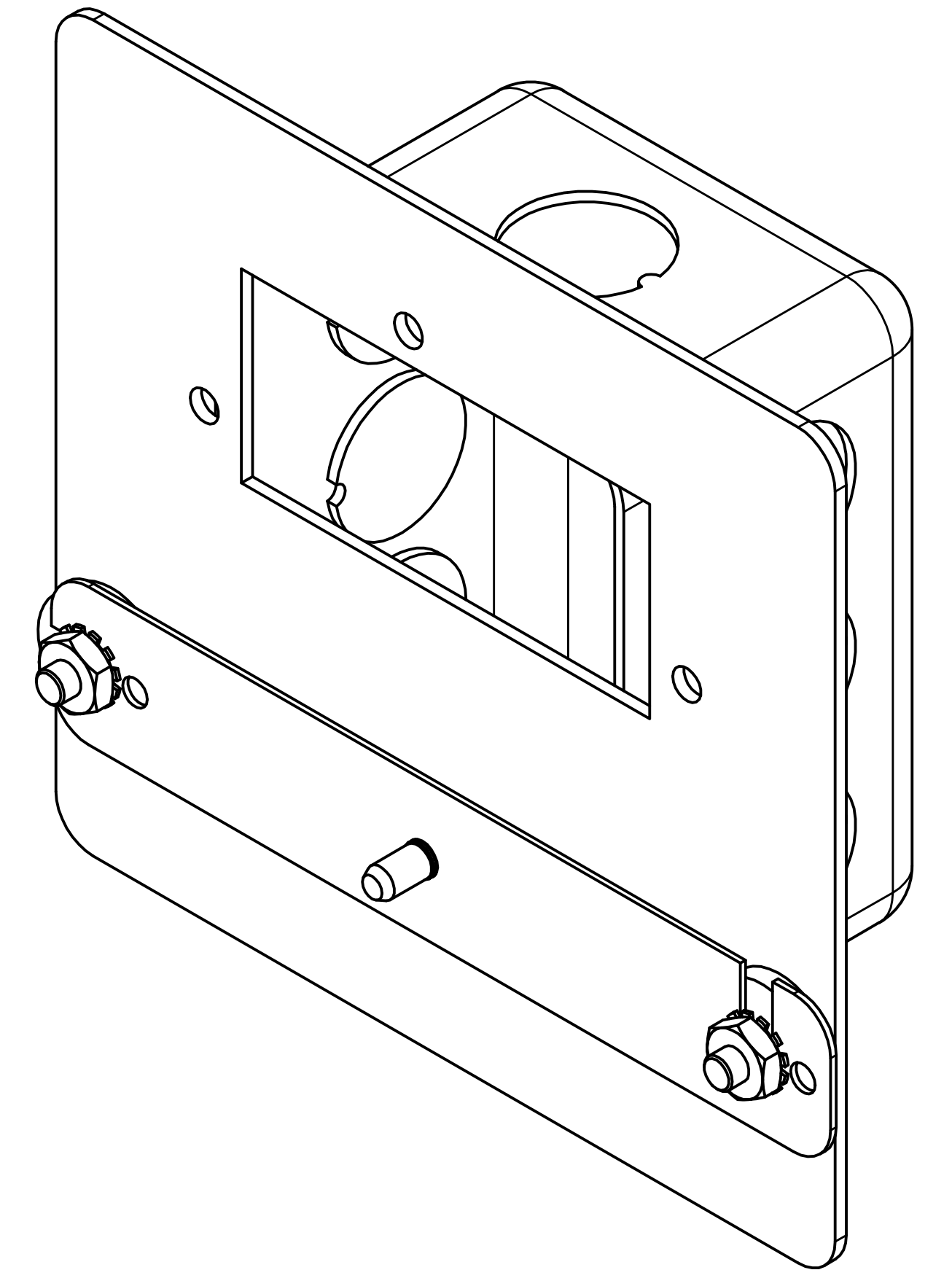
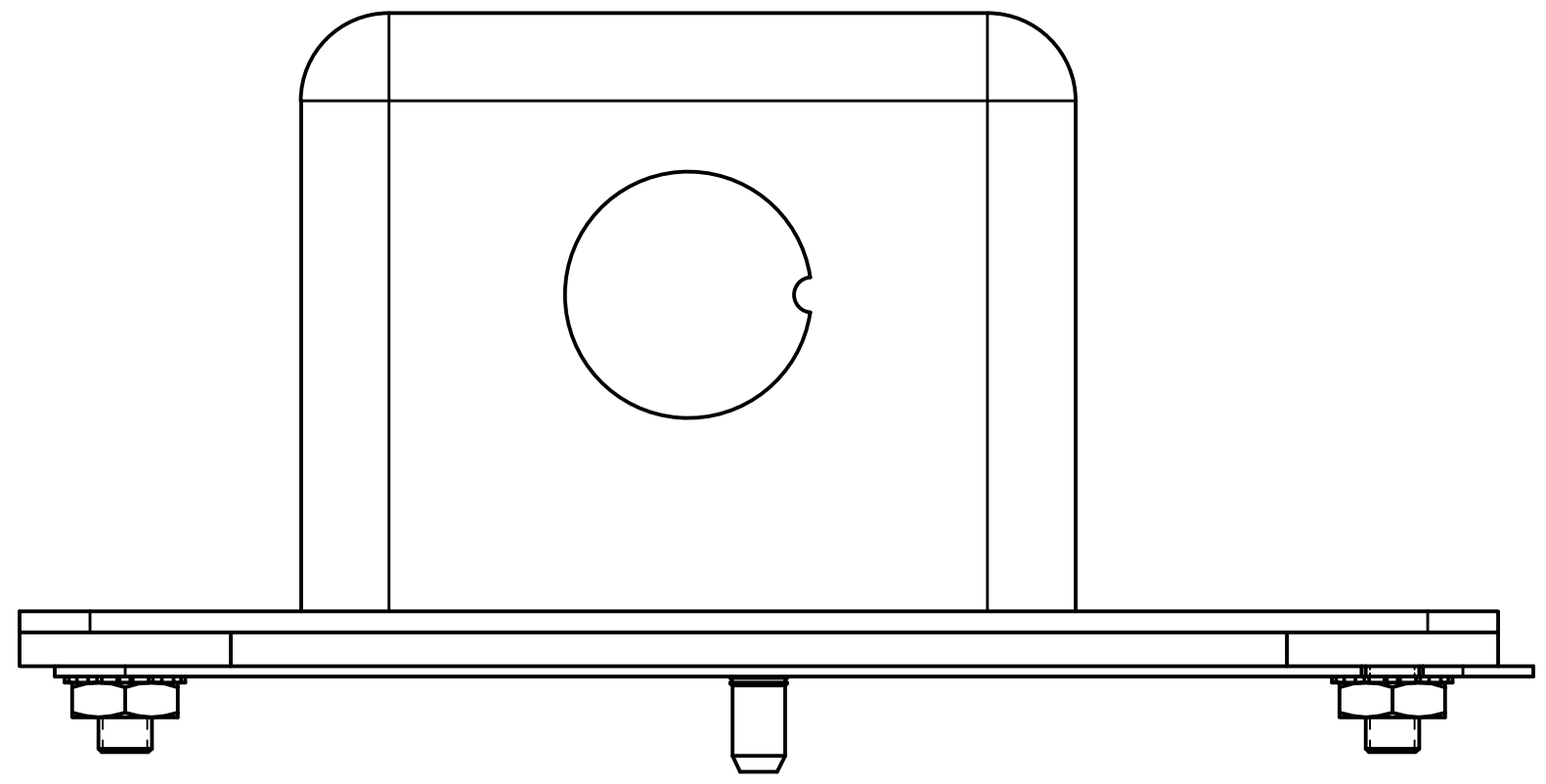


8 | 7 | 6 | 5 | 4 | 3 | 2 | 1



PARTS LIST

ITEM	QTY	PART NUMBER	REV
1	1	UtilityBox	00
2	1	RFM-ARUBA-BROCK-1	00
3	2	FH-032-8 ZI	02
4	2	RFM-AP-135-ARUBABRK3	00
5	1	RFM-AP-135-ARUBABRK1	00
6	1	TPS-187-6	00
7	2	10-32 KEPS NUT	00

R.F.MOTE LTD
ENGINEERED SYSTEMS

214 NEWKIRK RD.
RICHMOND HILL, ONTARIO
L4C 3G7
PHONE (905) 884-5250
FAX (905) 737-5188

PROJECT			
DESCRIPTION			
DATE 1/6/2016	SCALE 1.5 : 1	SHEET 1 OF 1	REV
DWG. NO.		RFM-ARUBA-BROCK	

The information contained herewithin is proprietary and confidential to **R.F.MOTE LTD.** It may not be reproduced or further disseminated, in whole or in part, without prior written consent from **R.F.MOTE LTD.**

8 | 7 | 6 | 5 | 4 | 3 | 2 | 1

D

D

C

C

B

B

A

A