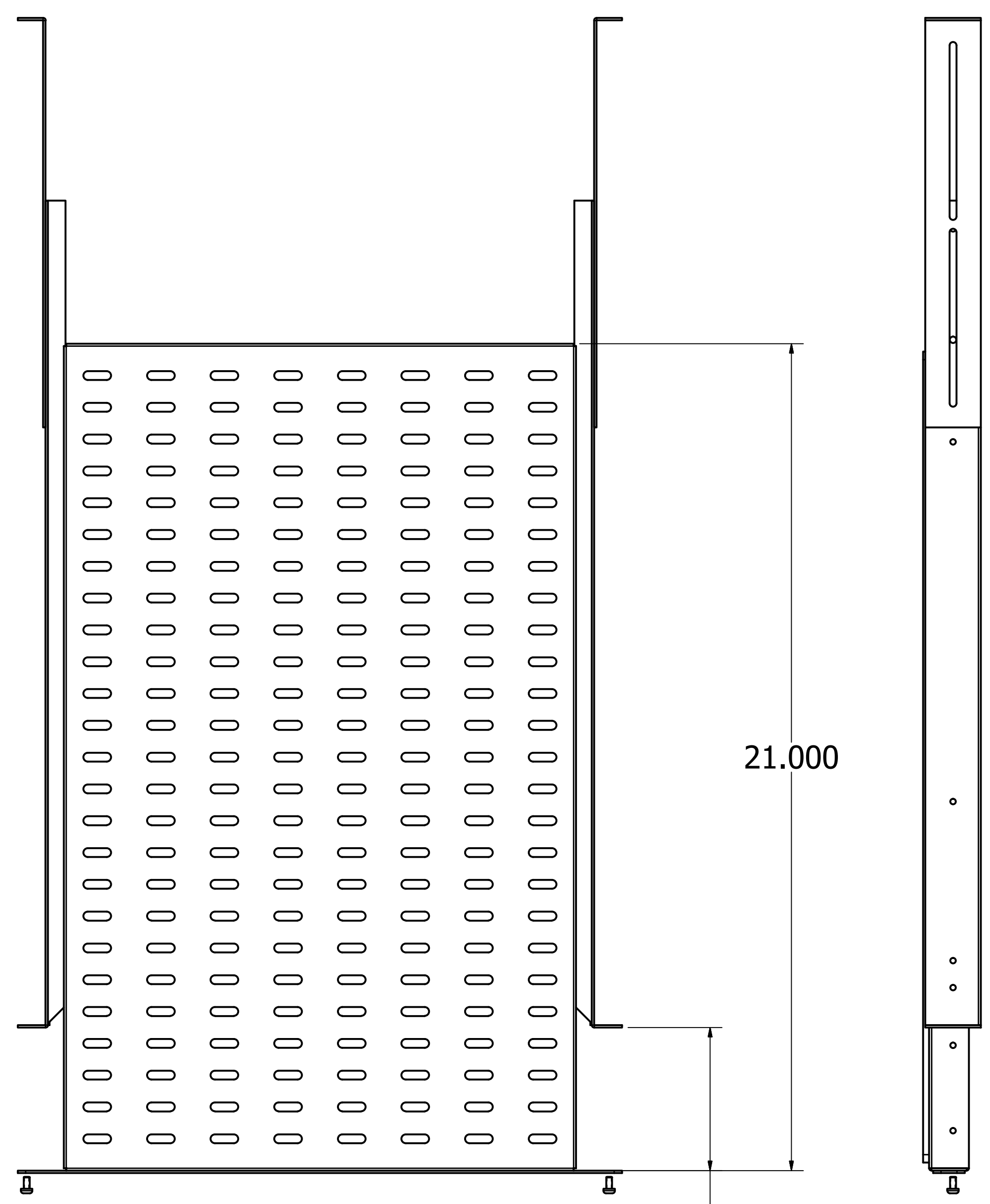
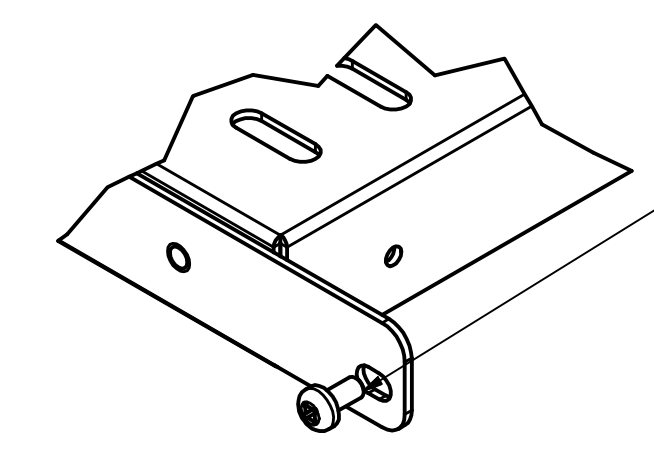
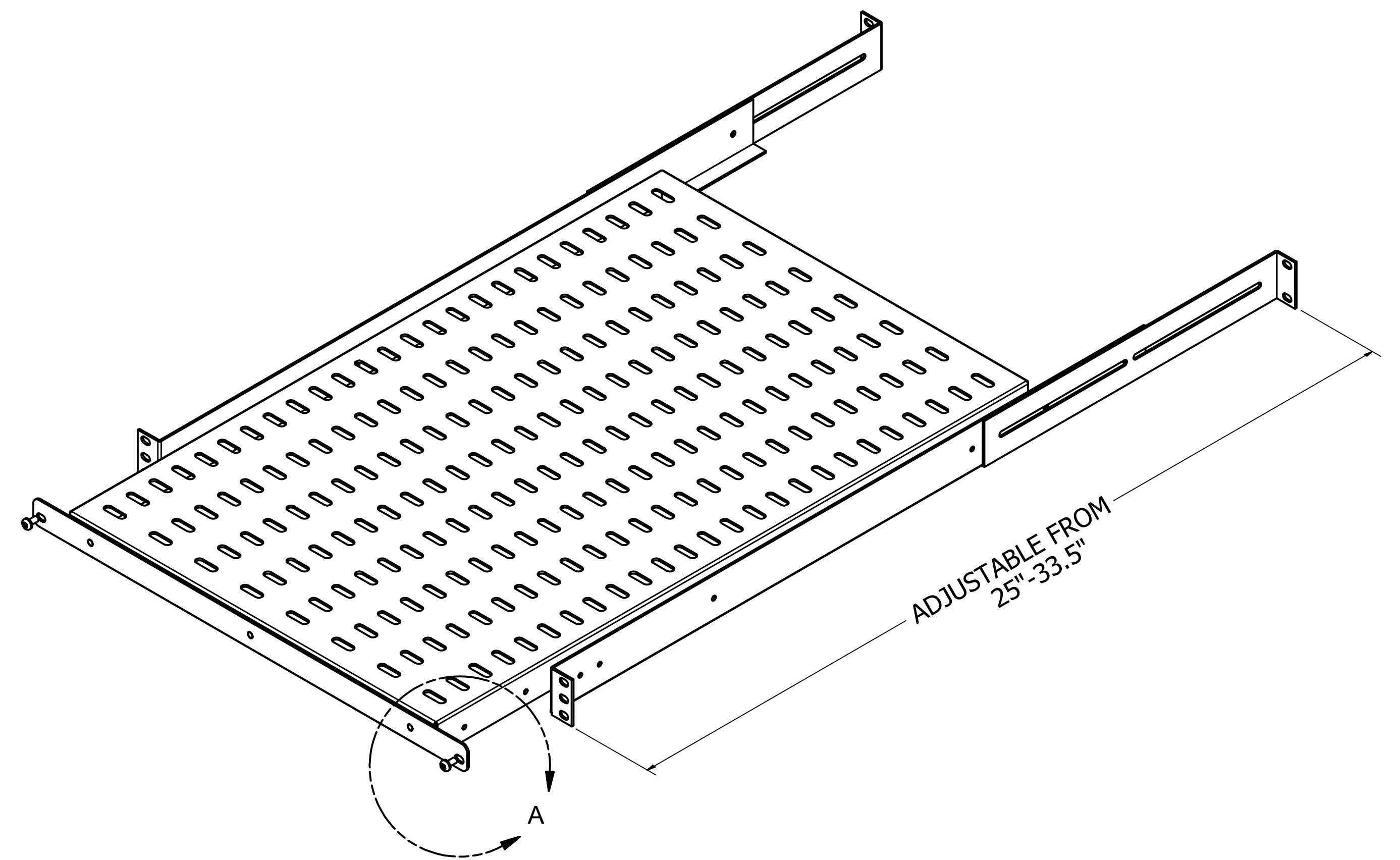


8 | 7 | 6 | 5 | 4 | 3 | 2 | 1

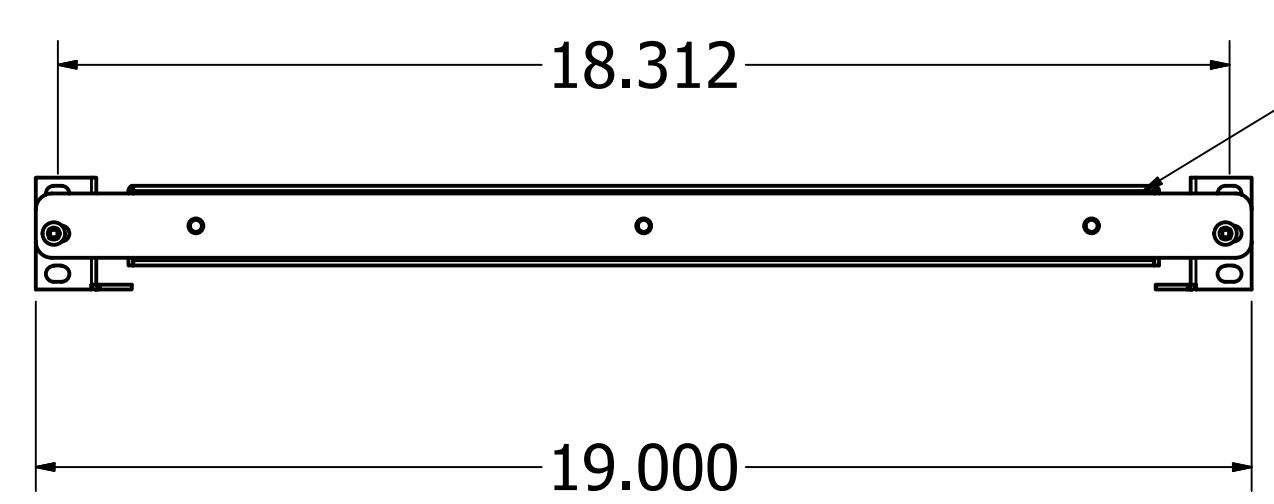


SHOWN AS
4.500"
OPENED



DETAIL A
SCALE 2 / 3

INSTALL SCREW TO RETAIN SHELF
IN CLOSED POSITION



SHELF MUST BE FLUSH WITH TOP OF SLIDE
TOLERANCE: +0.015\"/>

PARTS LIST			
ITEM	QTY	PART NUMBER	REV
1	1	RFM-1721-CRS-4-1-ASSEMBLY	00
2	1	RFM-1721-CRS-4-1U-LT-FP	00
3	2	RFM-1721-CRS-4-1U-LT-SHIM	00
4	2	10-32 PAN QUAD MS	00

214 NEWKIRK RD.
 RICHMOND HILL, ONTARIO
 L4C 3G7
 PHONE (905) 884-5250
 FAX (905) 737-5188

R.F.MOTE LTD
ENGINEERED SYSTEMS

PROJECT			
DESCRIPTION			
DATE 1/25/2016	SCALE 1 / 3	SHEET 1 OF 1	REV 00
DWG. NO. RFM-1721-CRS-4-1U-LT			

The information contained herein is proprietary and confidential to **R.F.MOTE LTD.** It may not be reproduced or further disseminated, in whole or in part, without prior written consent from **R.F.MOTE LTD.**

8 | 7 | 6 | 5 | 4 | 3 | 2 | 1