

4

3

2

1

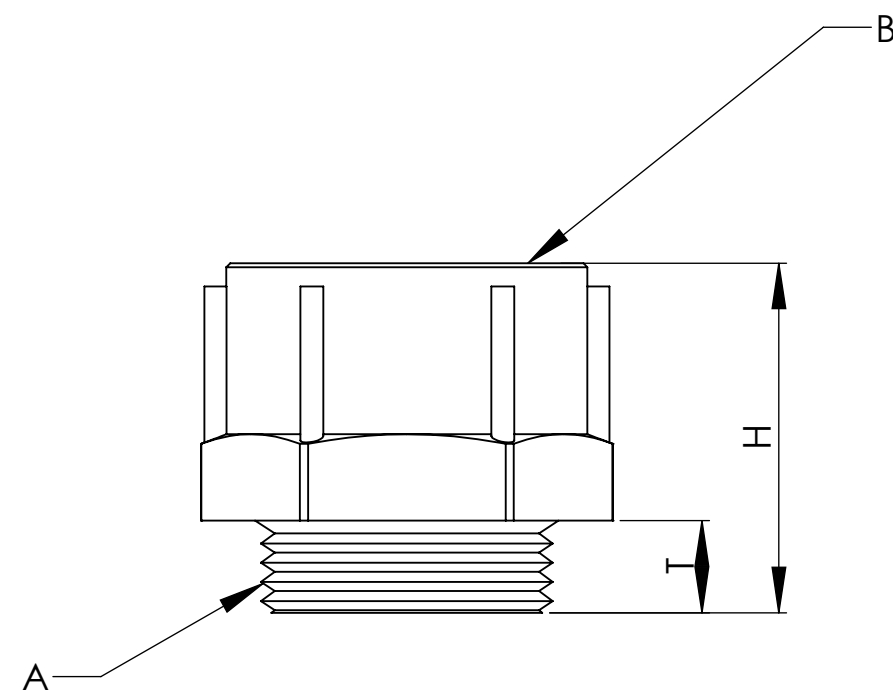
Nylon Reducers - Round - PG to PG

Part Numbers	Male Thread(A)	Female Thread(B)	Thread Length(T)	Height(H)	Type
RR-0907-GY	PG 9	PG 7	.31 (8)	.55 (14)	B
RR-1109-GY	PG 11	PG 9	.31 (8)	.71 (18)	B
RR-1309-GY	PG 13.5	PG 9	.31 (8)	.47 (12)	A
RR-1311-GY	PG 13.5	PG 11	.35 (9)	.83 (21)	B
RR-1609-GY	PG 16	PG 9	.39 (10)	.51 (13)	A
RR-1611-GY	PG 16	PG 11	.39 (10)	.51 (13)	A
RR-1613-GY	PG 16	PG 13.5	.39 (10)	.98 (25)	B
RR-2113-GY	PG 21	PG 13.5	.43 (11)	.53 (13.5)	A
RR-2116-GY	PG 21	PG 16	.43 (11)	.53 (13.5)	A
RR-2921-GY	PG 29	PG 21	.43 (11)	.53 (13.5)	A
RR-3629-GY	PG 36	PG 29	.43 (11)	.59 (15)	A

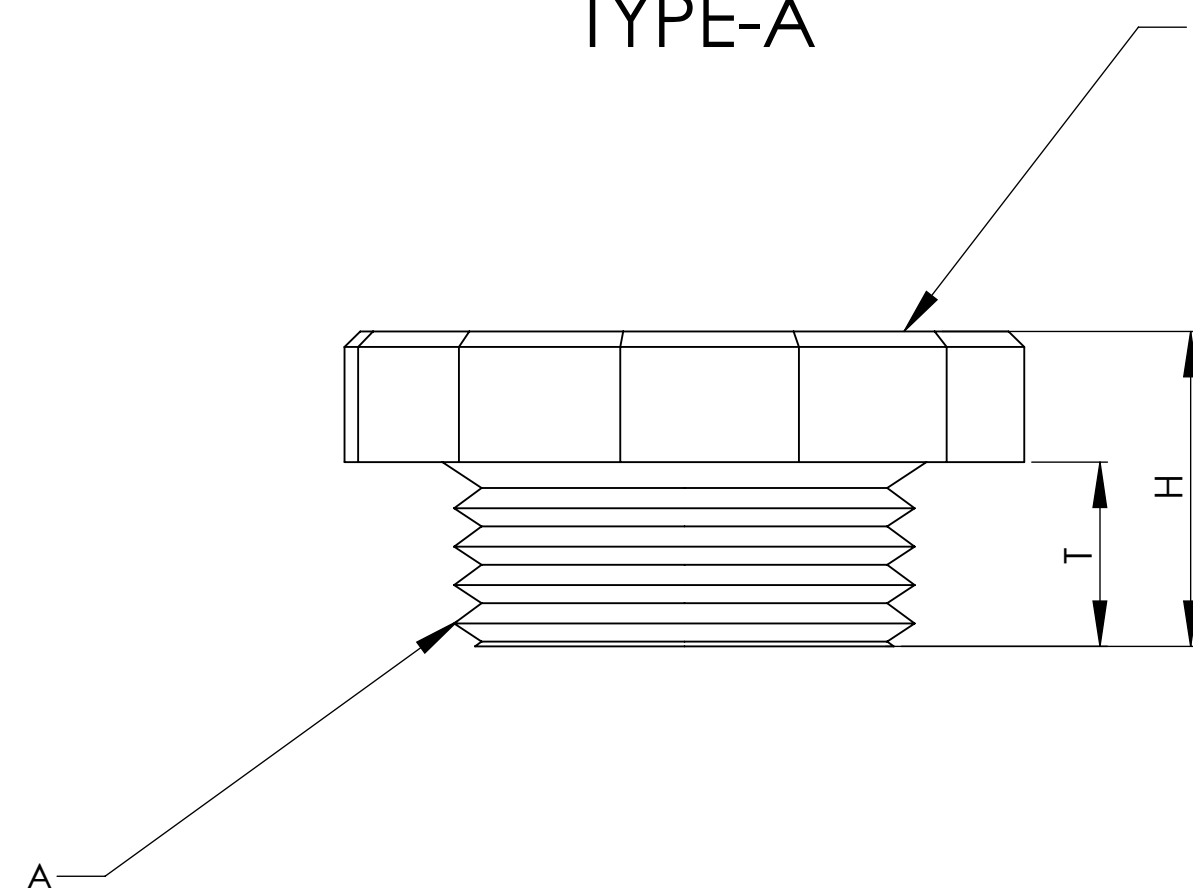
METRIC to METRIC THREADS

Part Numbers	Male Thread(A)	Female Thread(B)	Thread Length(T)	Height(H)	Type
RR-1612-GY	M16 x 1,5	M12 x 1,5	.35 (9)	1.06 (27)	B
RR-2016-GY	M20 x 1,5	M16 x 1,5	.35 (9)	1.06 (27)	B
RR-2520-GY	M25 x 1,5	M20 x 1,5	.39 (10)	.67 (17)	A
RR-3225-GY	M32 x 1,5	M25 x 1,5	.47 (12)	.75 (19)	A
RR-4032-GY	M40 x 1,5	M32 x 1,5	.47 (12)	.75 (19)	A
RR-5040-GY	M50 x 1,5	M40 x 1,5	.55 (14)	.83 (21)	A
RR-6350-GY	M63 x 1,5	M50 x 1,5	.59 (15)	.87 (22)	A

TYPE-B



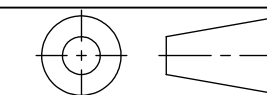
TYPE-A



NOTES:

- 1) GENERAL DIMENSIONS DRAWINGS.
- 2) DIMENSIONS [] ARE IN MILLIMETER.
- 3) DIMENSIONS NOTED ARE FOR REFERENCE ONLY.

Third angle projection



SEALCON

14853 E HINDSDALE AVE, SUITE D
CENTENNIAL, CO 80112-4240, USA
TEL: +1-303-699-1135
TOLL FREE: +1-800-456-9012
E MAIL: info@sealconusa.com,
WEBSITE: www.sealconusa.com

4

3

2

4

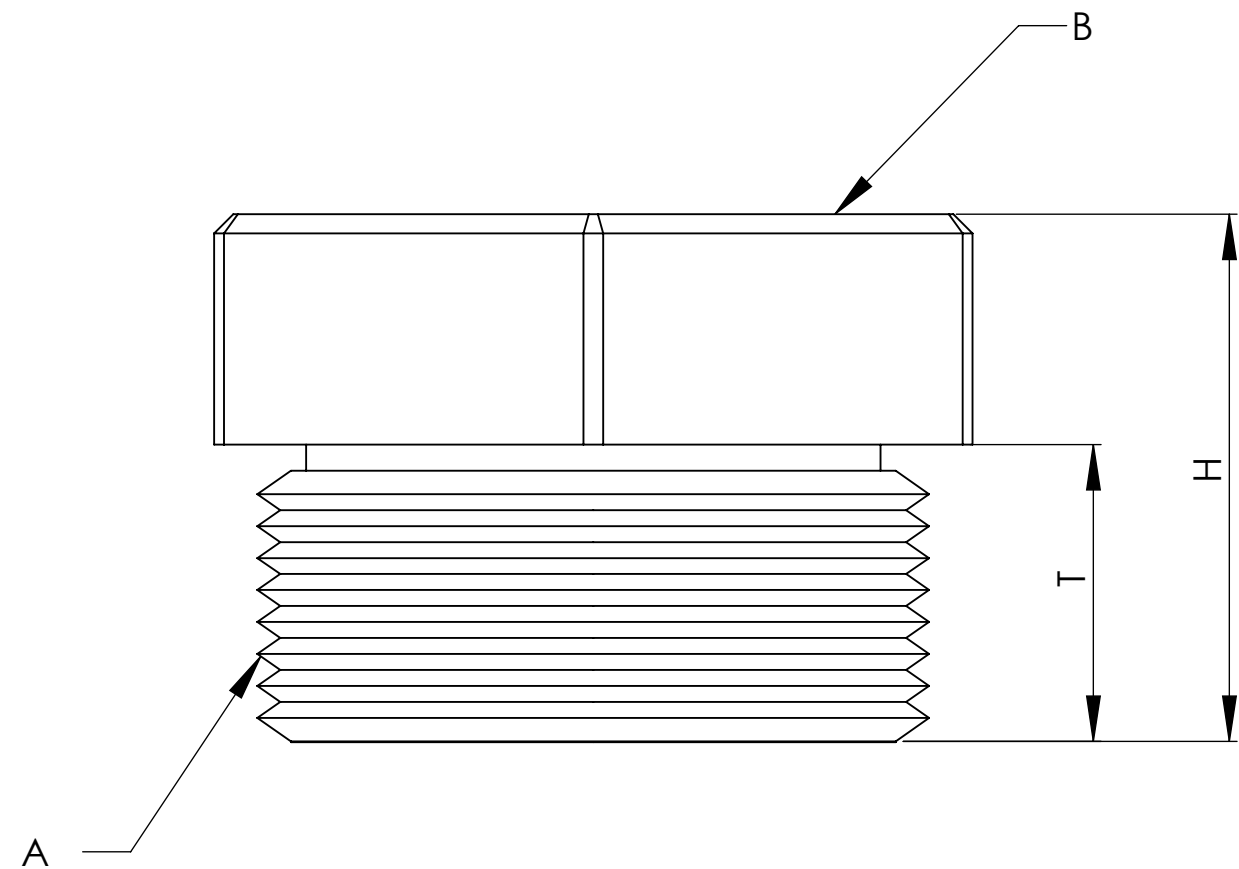
3

2

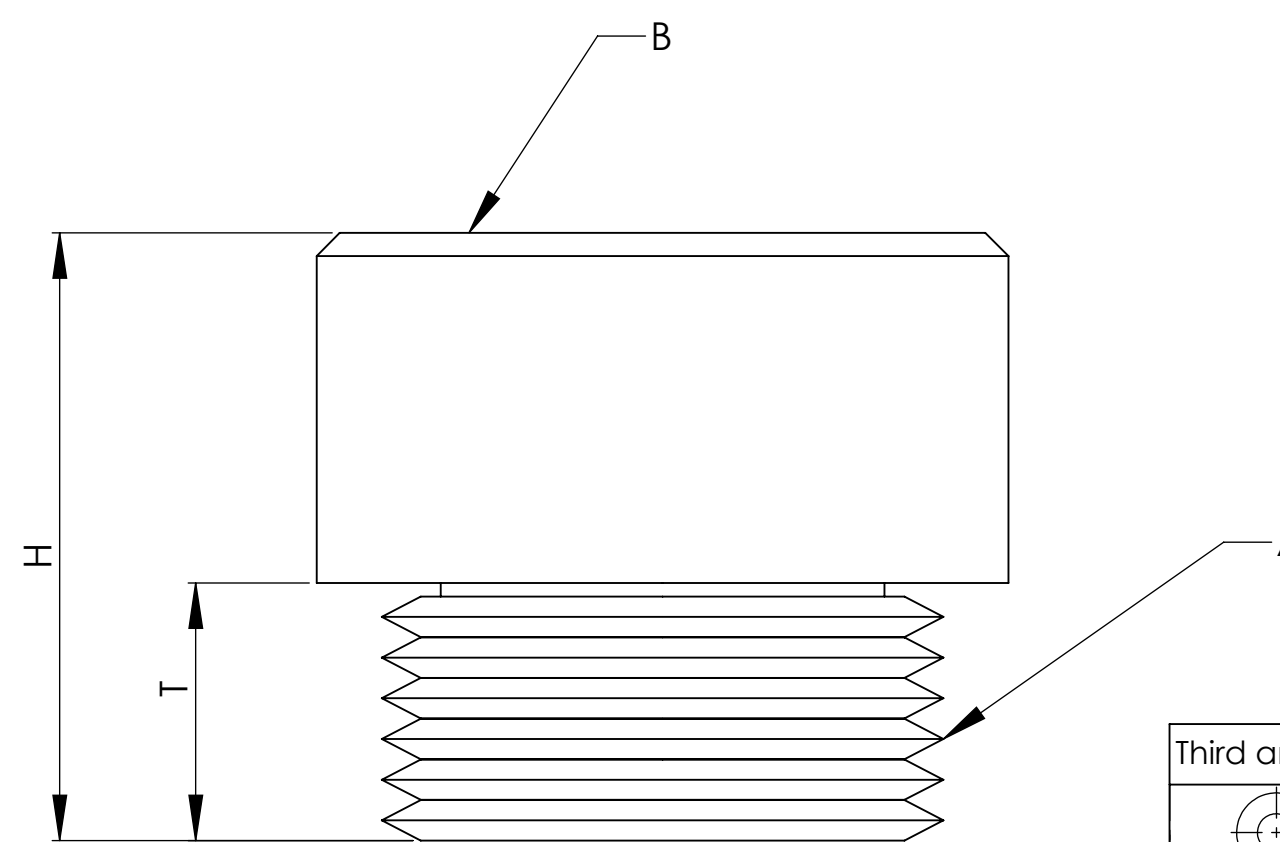
1

Nylon Reducers - METRIC to METRIC THREADS					
Part Numbers	Male Thread(A)	Female Thread(B)	Thread Length(T)	Height(H)	Type
RM-1612-BK	M16 x 1,5	M12 x 1,5	.31 (8)	.55 (14)	B
RM-2016-BK	M20 x 1,5	M16 x 1,5	.31 (8)	.55 (14)	B
RM-2520-BK	M25 x 1,5	M20 x 1,5	.31 (8)	.55 (14)	B
RM-3225-BK	M32 x 1,5	M25 x 1,5	.39 (10)	.63 (16)	B
RM-4032-BK	M40 x 1,5	M32 x 1,5	.59 (15)	.79 (20)	C
RM-5040-BK	M50 x 1,5	M40 x 1,5	.59 (15)	.79 (20)	C
RM-6350-BK	M63 x 1,5	M50 x 1,5	.59 (15)	.79 (20)	C

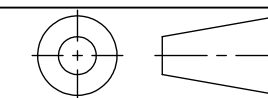
TYPE- B



TYPE-A



Third angle projection



14853 E HINDSDALE AVE, SUITE D
 CENTENNIAL, CO 80112-4240, USA
 TEL: +1-303-699-1135
 TOLL FREE: +1-800-456-9012
 E MAIL: info@sealconusa.com,
 WEBSITE: www.sealconusa.com



4

3

2

4

3

2

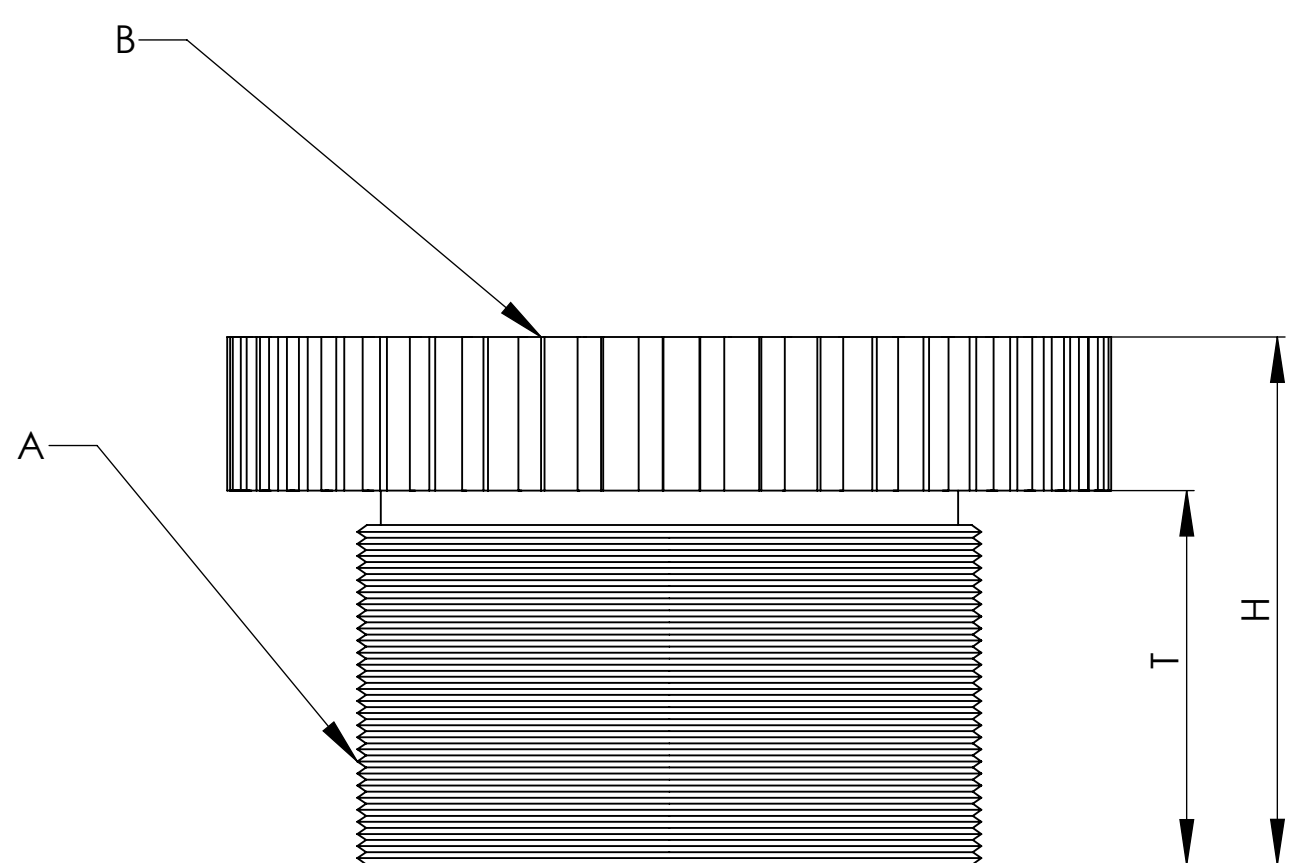
1

Nickel Plated Brass Reducers - Round - Metric to Metric

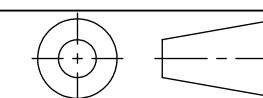
Part Numbers	Male Thread(A)	Female Thread(B)	Thread Length(T)	Height(H)
RR-1612-BR	M16 x 1,5	M12 x 1,5	.71 (18)	.24 (6)
RR-2012-BR	M20 x 1,5	M12 x 1,5	.26 (6.5)	.35 (9)
RR-2016-BR	M20 x 1,5	M16 x 1,5	.26 (6.5)	.35 (9)
RR-2516-BR	M25 x 1,5	M16 x 1,5	.28 (7)	.39 (10)
RR-2520-BR	M25 x 1,5	M20 x 1,5	.28 (7)	.39 (10)
RR-3220-BR	M32 x 1,5	M20 x 1,5	.31 (8)	.45 (11.5)
RR-3225-BR	M32 x 1,5	M25 x 1,5	.31 (8)	.45 (11.5)
RR-4025-BR	M40 x 1,5	M25 x 1,5	.31 (8)	.45 (11.5)
RR-4032-BR	M40 x 1,5	M32 x 1,5	.35 (9)	.49 (12.5)
RR-5032-BR	M50 x 1,5	M32 x 1,5	.39 (10)	.55 (14)
RR-5040-BR	M50 x 1,5	M40 x 1,5	.31 (8)	.45 (11.5)
RR-6340-BR	M63 x 1,5	M40 x 1,5	.39 (10)	.55 (14)
RR-6350-BR	M63 x 1,5	M50 x 1,5	.39 (10)	.55 (14)

PG to PG THREADS

Part Numbers	Male Thread(A)	Female Thread(B)	Thread Length(T)	Height(H)
RR-0907-BR	PG 9	PG 7	.24 (6)	.33 (8.5)
RR-1107-BR	PG 11	PG 7	.24 (6)	.33 (8.5)
RR-1109-BR	PG 11	PG 9	.24 (6)	.33 (8.5)
RR-1309-BR	PG 13	PG 9	.26 (6.5)	.35 (9)
RR-1311-BR	PG 13	PG 11	.26 (6.5)	.35 (9)
RR-1609-BR	PG 16	PG 9	.26 (6.5)	.37 (9.5)
RR-1611-BR	PG 16	PG 11	.26 (6.5)	.37 (9.5)
RR-1613-BR	PG 16	PG 13.5	.26 (6.5)	.37 (9.5)
RR-2111-BR	PG 21	PG 11	.27 (7)	.39 (10)
RR-2113-BR	PG 21	PG 13.5	.27 (7)	.39 (10)
RR-2116-BR	PG 21	PG 16	.27 (7)	.39 (10)
RR-2916-BR	PG 29	PG 16	.31 (8)	.45 (11.5)
RR-2921-BR	PG 29	PG 21	.31 (8)	.45 (11.5)
RR-3621-BR	PG 36	PG 21	.35 (9)	.49 (12.5)
RR-3629-BR	PG 36	PG 29	.35 (9)	.49 (12.5)
RR-4229-BR	PG 42	PG 29	.39 (10)	.55 (14)
RR-4236-BR	PG 42	PG 36	.39 (10)	.55 (14)
RR-4836-BR	PG 48	PG 36	.39 (10)	.55 (14)
RR-4842-BR	PG 48	PG 42	.39 (10)	.55 (14)



Third angle projection



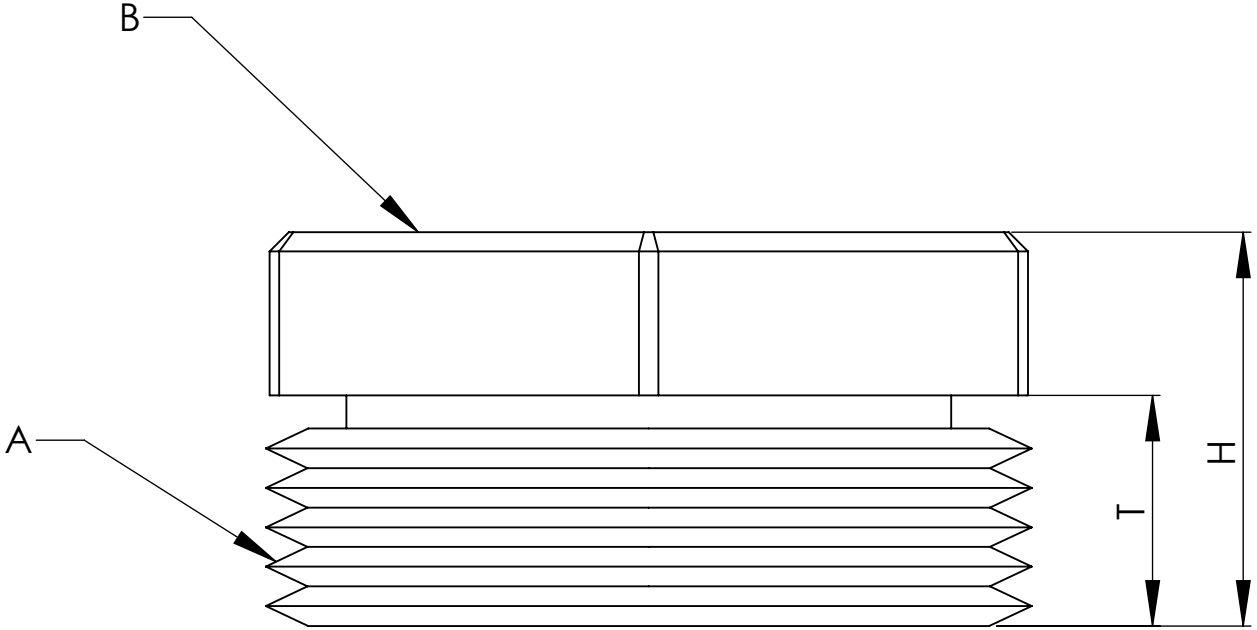
14853 E HINDSDALE AVE, SUITE D
 CENTENNIAL, CO 80112-4240, USA
 TEL: +1-303-699-1135
 TOLL FREE: +1-800-456-9012
 E MAIL: info@sealconusa.com,
 WEBSITE: www.sealconusa.com

4

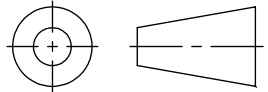
3

2

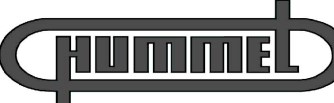
Nickel Plated Brass Reducers - NPT to NPT Threads				
Part Numbers	Male Thread(A)	Female Thread(B)	Thread Length(T)	Height(H)
RN-3412-BR	3/4" NPT	1/2" NPT	.71 (18)	.87 (22)
RN-1034-BR	1" NPT	3/4" NPT	.98 (25)	1.14 (29)
RN-5410-BR	1-1/4" NPT	1" NPT	.98 (25)	1.14 (29)



Third angle projection



14853 E HINDSDALE AVE, SUITE D
 CENTENNIAL, CO 80112-4240, USA
 TEL: +1-303-699-1135
 TOLL FREE: +1-800-456-9012
 E MAIL: info@sealconusa.com,
 WEBSITE: www.sealconusa.com



4

3

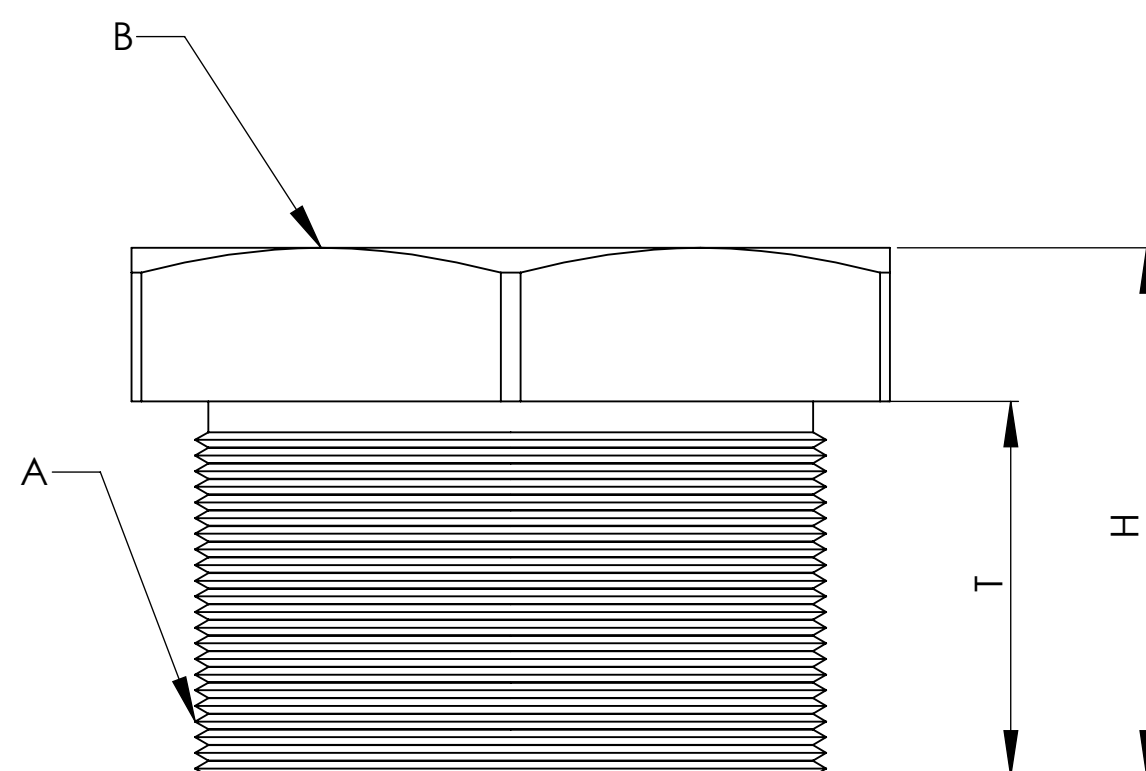
2

1

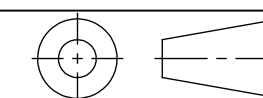
Nickel Plated Brass Reducers - Metric to Metric				
Part Numbers	Male Thread(A)	Female Thread(B)	Thread Length(T)	Height(H)
RM-1612-BR	M16 x 1,5	M12 x 1,5	.20 (5)	.31 (8)
RM-2012-BR	M20 x 1,5	M12 x 1,5	.24 (6)	.35 (9)
RM-2016-BR	M20 x 1,5	M16 x 1,5	.24 (6)	.35 (9)
RM-2516-BR	M25 x 1,5	M16 x 1,5	.27 (7)	.39 (10)
RM-2520-BR	M25 x 1,5	M20 x 1,5	.27 (7)	.39 (10)
RM-3216-BR	M32 x 1,5	M16 x 1,5	.31 (8)	.34 (11)
RM-3220-BR	M32 x 1,5	M20 x 1,5	.31 (8)	.43 (11)
RM-3225-BR	M32 x 1,5	M25 x 1,5	.31 (8)	.43 (11)
RM-4020-BR	M40 x 1,5	M20 x 1,5	.31 (8)	.47 (12)
RM-4025-BR	M40 x 1,5	M25 x 1,5	.31 (8)	.47 (12)
RM-4032-BR	M40 x 1,5	M32 x 1,5	.31 (8)	.47 (12)
RM-5025-BR	M50 x 1,5	M25 x 1,5	.35 (9)	.51 (13)
RM-5032-BR	M50 x 1,5	M32 x 1,5	.35 (9)	.51 (13)
RM-5040-BR	M50 x 1,5	M40 x 1,5	.35 (9)	.51 (13)
RM-6332-BR	M63 x 1,5	M32 x 1,5	.39 (10)	.55 (14)
RM-6340-BR	M63 x 1,5	M40 x 1,5	.39 (10)	.55 (14)
RM-6350-BR	M63 x 1,5	M50 x 1,5	.39 (10)	.55 (14)

PG to PG THREADS

Part Numbers	Part Numbers	Male Thread(A)	Female Thread(B)	Thread Length(T)	Height(H)
RQ-0907-BR	RP-0907-BR	PG 9	PG 7	.24 (6)	.34 (8.8)
RQ-1107-BR	RP-1107-BR	PG 11	PG 7	.24 (6)	.35 (9)
RQ-1109-BR	RP-1109-BR	PG 11	PG 9	.24 (6)	.35 (9)
RQ-1309-BR	RP-1309-BR	PG 13	PG 9	.26 (6.5)	.37 (9.5)
RQ-1311-BR	RP-1311-BR	PG 13	PG 11	.26 (6.5)	.37 (9.5)
RQ-1609-BR	RP-1609-BR	PG 16	PG 9	.26 (6.5)	.37 (9.5)
RQ-1611-BR	RP-1611-BR	PG 16	PG 11	.26 (6.5)	.37 (9.5)
RQ-1613-BR	RP-1613-BR	PG 16	PG 13	.26 (6.5)	.37 (9.5)
RQ-2111-BR	RP-2111-BR	PG 21	PG 11	.27 (7)	.41 (10.3)
RQ-2113-BR	RP-2113-BR	PG 21	PG 13	.27 (7)	.41 (10.3)
RQ-2116-BR	RP-2116-BR	PG 21	PG 16	.27 (7)	.41 (10.3)
RQ-2916-BR	RP-2916-BR	PG 29	PG 16	.31 (8)	.45 (11.5)
RQ-2921-BR	RP-2921-BR	PG 29	PG 21	.31 (8)	.45 (11.5)
RQ-3621-BR	RP-3621-BR	PG 36	PG 21	.35 (9)	.49 (12.5)
RQ-3629-BR	RP-3629-BR	PG 36	PG 29	.35 (9)	.49 (12.5)
RQ-4229-BR	RP-4229-BR	PG 42	PG 29	.39 (10)	.53 (13.5)
RQ-4236-BR	RP-4236-BR	PG 42	PG 36	.39 (10)	.53 (13.5)
RQ-4836-BR	RP-4836-BR	PG 48	PG 36	.39 (10)	.53 (13.5)
RQ-4842-BR	RP-4842-BR	PG 48	PG 42	.39 (10)	.53 (13.5)



Third angle projection



14853 E HINDSDALE AVE, SUITE D
CENTENNIAL, CO 80112-4240, USA
TEL: +1-303-699-1135
TOLL FREE: +1-800-456-9012
E MAIL: info@sealconusa.com,
WEBSITE: www.sealconusa.com

4

3

2

4

3

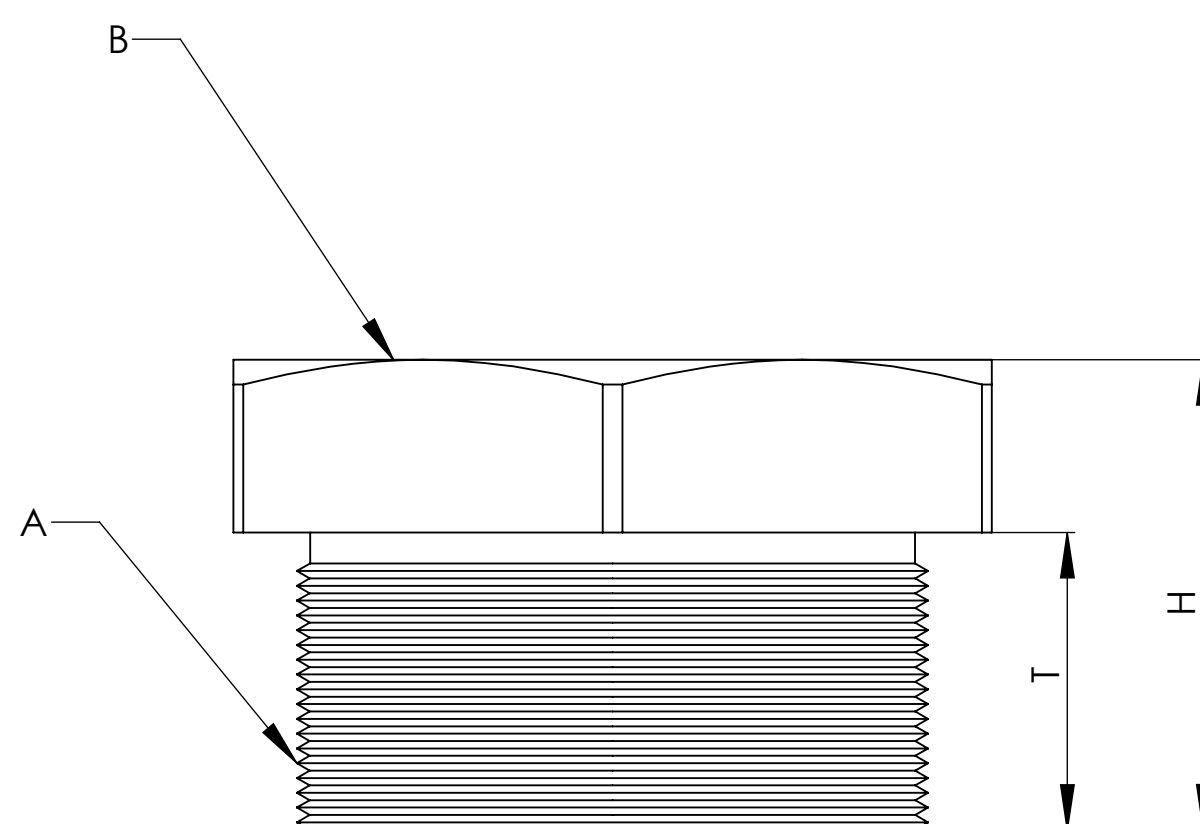
2

1

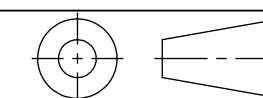
Stainless Steel Reducers - Metric to Metric & PG to PG Threads					
Part Numbers	Part Numbers	Male Thread(A)	Female Thread(B)	Thread Length(T)	Height(H)
RM-1612-SS	RM-1612-SS-B	M16 x 1.5	M12 x 1.5	.20 (5)	.35 (9)
RM-2012-SS	RM-2012-SS-B	M20 x 1.5	M12 x 1.5	.24 (6)	.37 (9.5)
RM-2016-SS	RM-2016-SS-B	M20 x 1.5	M16 x 1.5	.24 (6)	.37 (9.5)
RM-2516-SS	RM-2516-SS-B	M25 x 1.5	M16 x 1.5	.24 (6)	.37 (9.5)
RM-2520-SS	RM-2520-SS-B	M25 x 1.5	M20 x 1.5	.27 (7)	.41 (10.5)
RM-3216-SS	RM-3216-SS-B	M32 x 1.5	M16 x 1.5	.31 (8)	.49 (12.5)
RM-3220-SS	RM-3220-SS-B	M32 x 1.5	M20 x 1.5	.31 (8)	.49 (12.5)
RM-3225-SS	RM-3225-SS-B	M32 x 1.5	M25 x 1.5	.31 (8)	.49 (12.5)
RM-4020-SS	RM-4020-SS-B	M40 x 1.5	M20 x 1.5	.31 (8)	.51 (13)
RM-4025-SS	RM-4025-SS-B	M40 x 1.5	M25 x 1.5	.31 (8)	.51 (13)
RM-4032-SS	RM-4032-SS-B	M40 x 1.5	M32 x 1.5	.31 (8)	.51 (13)
RM-5025-SS	RM-5025-SS-B	M50 x 1.5	M25 x 1.5	.35 (9)	.59 (15)
RM-5032-SS	RM-5032-SS-B	M50 x 1.5	M32 x 1.5	.35 (9)	.59 (15)
RM-5040-SS	RM-5040-SS-B	M50 x 1.5	M40 x 1.5	.35 (9)	.59 (15)
RM-6332-SS	RM-6332-SS-B	M63 x 1.5	M32 x 1.5	.39 (10)	.65 (16.5)
RM-6340-SS	RM-6340-SS-B	M63 x 1.5	M40 x 1.5	.39 (10)	.65 (16.5)
RM-6350-SS	RM-6350-SS-B	M63 x 1.5	M50 x 1.5	.39 (10)	.65 (16.5)

PG to PG THREADS

Part Numbers	Part Numbers	Male Thread(A)	Female Thread(B)	Thread Length(T)	Height(H)
RP-0907-SS	RQ-0907-SS	PG 9	PG 7	.24 (6)	.34 (8.8)
RP-1107-SS	RQ-1107-SS	PG 11	PG 7	.24 (6)	.35 (9)
RP-1109-SS	RQ-1109-SS	PG 11	PG 9	.24 (6)	.35 (9)
RP-1309-SS	RQ-1309-SS	PG 13	PG 9	.26 (6.5)	.37 (9.5)
RP-1311-SS	RQ-1311-SS	PG 13	PG 11	.26 (6.5)	.37 (9.5)
RP-1609-SS	RQ-1609-SS	PG 16	PG 9	.26 (6.5)	.37 (9.5)
RP-1611-SS	RQ-1611-SS	PG 16	PG 11	.26 (6.5)	.37 (9.5)
RP-1613-SS	RQ-1613-SS	PG 16	PG 13	.26 (6.5)	.37 (9.5)
RP-2111-SS	RQ-2111-SS	PG 21	PG 11	.27 (7)	.41 (10.3)
RP-2113-SS	RQ-2113-SS	PG 21	PG 13	.27 (7)	.41 (10.3)
RP-2116-SS	RQ-2116-SS	PG 21	PG 16	.27 (7)	.41 (10.3)
RP-2916-SS	RQ-2916-SS	PG 29	PG 16	.31 (8)	.45 (11.5)
RP-2921-SS	RQ-2921-SS	PG 29	PG 21	.31 (8)	.45 (11.5)
RP-3621-SS	RQ-3621-SS	PG 36	PG 21	.35 (9)	.49 (12.5)
RP-3629-SS	RQ-3629-SS	PG 36	PG 29	.35 (9)	.49 (12.5)
RP-4229-SS	RQ-4229-SS	PG 42	PG 29	.39 (10)	.53 (13.5)
RP-4236-SS	RQ-4236-SS	PG 42	PG 36	.39 (10)	.53 (13.5)
RP-4836-SS	RQ-4836-SS	PG 48	PG 36	.39 (10)	.53 (13.5)
RP-4842-SS	RQ-4842-SS	PG 48	PG 42	.39 (10)	.53 (13.5)



Third angle projection



14853 E HINDSDALE AVE, SUITE D
CENTENNIAL, CO 80112-4240, USA
TEL: +1-303-699-1135
TOLL FREE: +1-800-456-9012
E MAIL: info@sealconusa.com,
WEBSITE: www.sealconusa.com

4

3

2