

NOTES:
 1. DIMENSIONS ARE IN INCHES
 2. DIMENSIONS IN () ARE REFERENCY ONLY
 3. WIRE SIZE: 22-18 GA
 3. MASS: 0.003 lbmass

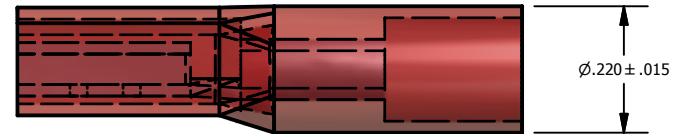
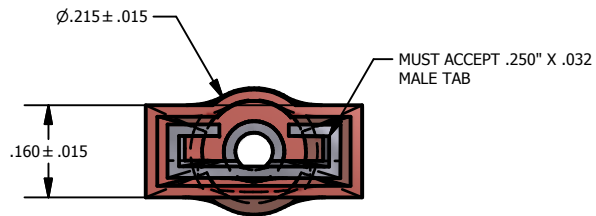
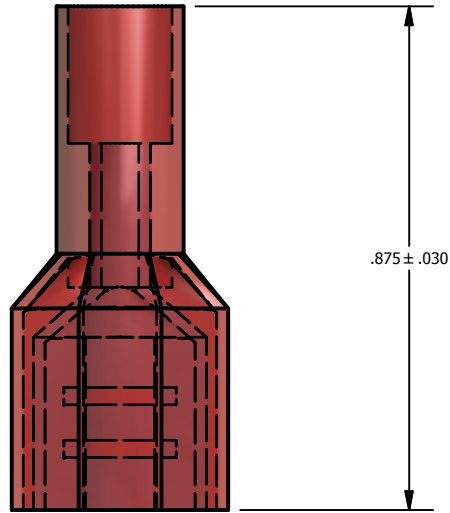
MATERIAL:
 PLATING: ELECTRO-TIN .0002" - .0003"

TOLERANCES-UNLESS OTHERWISE SPECIFIED
 2 PL. DEC. ±.030 TRUE C.L. ±.015
 3 PL. DEC. ±.015 ANGLES ±1

DWG. NO.
45198N
 FTZ INDUSTRIES 864-963-5000

DRAWN BY: KT SCALE: 3:1
 DATE: 8/18/2014 SIZE: A

APPROVED BY: KT	REV.	DESCRIPTION
SHEET 1 OF 1	A	ORIGINAL INVENTOR RELEASE 08/18/2014



Parts List			
ITEM	QTY	PART NUMBER	DESCRIPTION
3	1	45198N-Metal	Electro Tin Plated Copper
2	1	45198N-Nylon	Nylon insulation