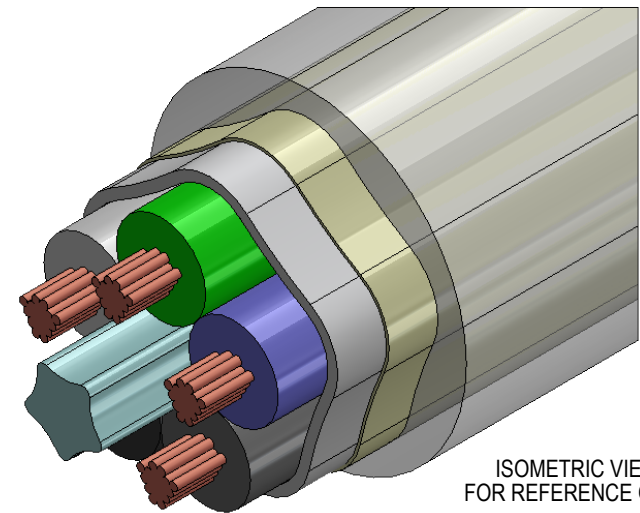
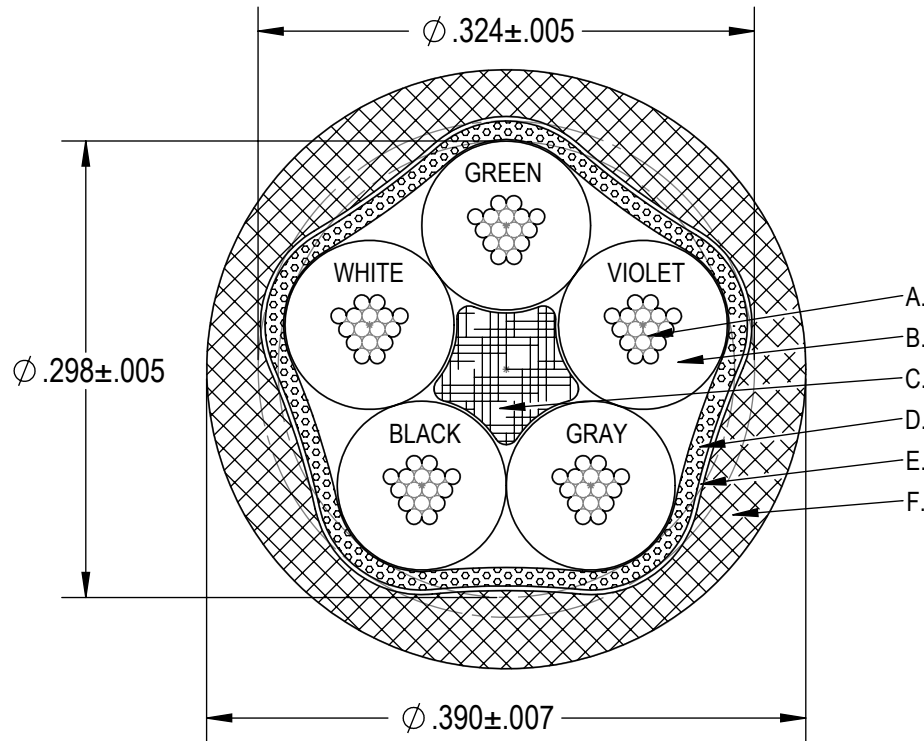


DESCRIPTION: 18/5 SJT 105C 300V		UNITS: IN	SCALE: 8:1	ITEM	SPECIFICATIONS
CUSTOMER: IEWC	NWI P/N: FSJT185-196	DWG NO: 63014-1		A.	18 GAUGE 16x30BC BUNCHED
CUSTOMER P/N: 32017554	DRAWN BY: DP LANGER	DATE: 10/26/2016	REV: A	B.	30 MIL PVC INSULATION 105C 300V 27 MIL MIN. PVC INSULATION O.D. .110±.002 STANDARD SJT CONDUCTOR

CORE DIMENSIONS FOR INTERNAL USE ONLY



LEGEND SPECIFICATIONS INDENT PRINT
NORTHWIRE INC. (UL) 5/C 18 AWG (.824mm²) SJT 105C 300V FT2 SHIELDED CSA



This document contains proprietary and confidential information of Northwire, Inc. (and its subsidiary) and shall not be used, disclosed or reproduced, in whole or in part, for any purpose without the prior written consent of Northwire, Inc. (and its subsidiary).

Disclaimer: The technical data that is made part of this document may be subject to the International Traffic in Arms Regulation (ITAR) and the Export Administration Regulations (EAR). Disclosure of technical data to Foreign Persons in the course of employment with U.S. contractors is considered an export and is subject to the ITAR and EAR export licensing requirements/regulations.

DESCRIPTION:		UNITS: IN	SCALE: 60:1	ELECTRICAL REQUIREMENTS
CUSTOMER: IEWC	NWI P/N: FSJT185-196	DWG NO: 63014-1		NONE SPECIFIED
CUSTOMER P/N: 32017554	DRAWN BY: DP LANGER	DATE: 10/26/2016	REV: A	



MECHANICAL REQUIREMENTS
NONE SPECIFIED

INITIAL RELEASE	A	10/26/16	DPL
REVISION RECORD	REV.	REV DATE	APR
REVISIONS			