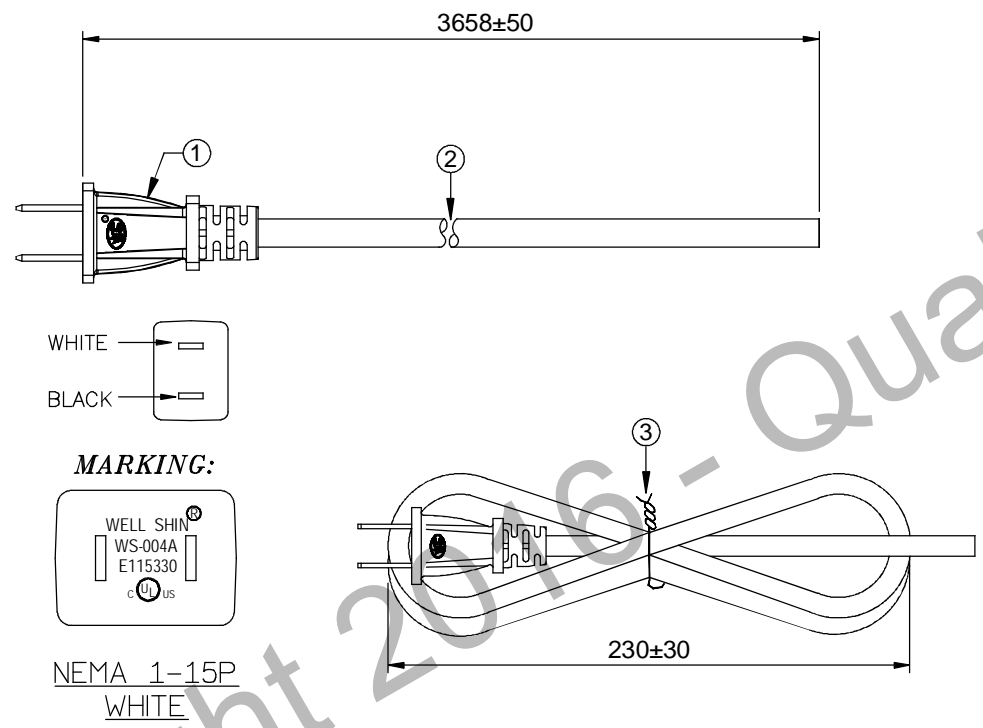



RoHS (2011/65/EU) COMPLIANT

CUSTOMER: P/N: TBA REV. APPROVED BY:

REVISIONS		
REV.	DESCRIPTION	DATE
△A	-----	---
△B		
△C		
△D		
△E		



NOTES:

ITEM	DESCRIPTION	COLOR	QTY	DRAWN BY:	SIGNATURE	 QUAIL ELECTRONICS, INC. http://www.quail.com		
③	Cable tie	WHITE	1	ENGINEER BY:		PRODUCT NO.:	O04A	DATE: 2016/05/17
②	SVT 18AWG 2C105°C	WE-2985	1	MANAGER BY:		UNIT:	mm	SHEET: 1 OF 1
①	WS-004A 10(A) 125(V)	RAL 9016	1	CHECKED BY:		DWG NO.:	---	REV.
				DRAWN BY:				

THE INFORMATION CONTAINED HEREIN IS PROPRIETARY TO QUAIL ELECTRONICS, INC. ANY USE OR DISCLOSURE OF THIS INFORMATION, EXCEPT FOR THE EXCLUSIVE BENEFIT OF QUAIL ELECTRONICS, INC. IS PROHIBITED.