

- NOTES:  
 1. DIMENSIONS ARE IN INCHES  
 2. DIMENSIONS IN ( ) ARE REFERENCY ONLY  
 3. WIRE SIZE: 22-18 GA  
 3. MASS: 0.003 lbmass

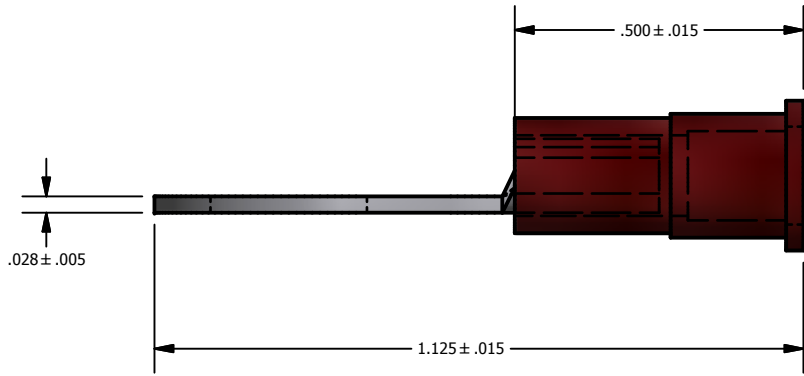
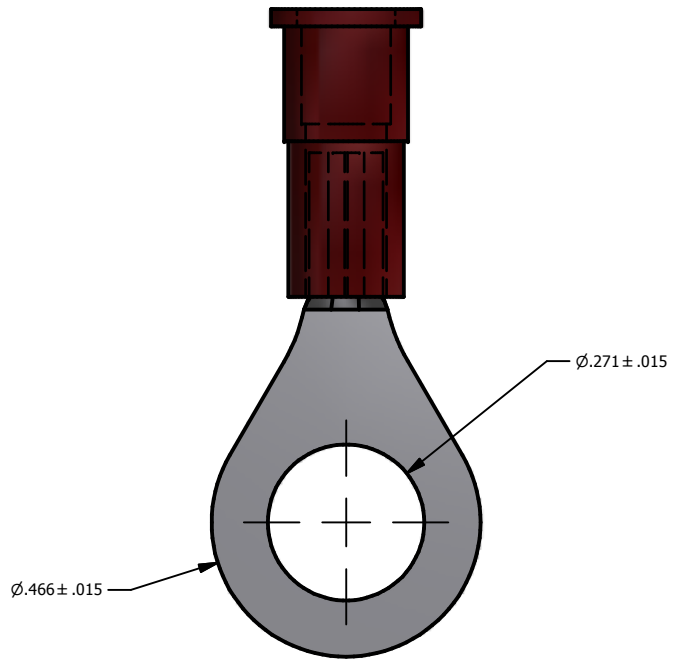
MATERIAL:  
 PLATING: ELECTRO-TIN .0002" - .0003"

TOLERANCES-UNLESS OTHERWISE SPECIFIED  
 2 PL. DEC. ±.030 TRUE C.L. ±.015  
 3 PL. DEC. ±.015 ANGLES ±1

DWG. NO.  
**45187N**  
 FTZ INDUSTRIES 864-963-5000

DRAWN BY: KT SCALE: 3:1  
 DATE: 8/18/2014 SIZE: A

APPROVED BY: KT	REV.	DESCRIPTION
	A	ORIGINAL INVENTOR RELEASE
SHEET 1 OF 1		08/18/2014



Parts List			
ITEM	QTY	PART NUMBER	DESCRIPTION
2	1	45515-N	NYLON INSULATION: RED
1	1	46115	TIN PLATED, ETP COPPER