



Hueson Wire  
38 Sutton Street  
Northbridge, MA 01534  
508-234-6372  
[bhanlon@huesonwire.com](mailto:bhanlon@huesonwire.com)

# C5663 Black

Issue Date: 6/7/2016

## Construction

IEWC P/N 32018811

Issue: 1

Description:	2/C GXL16TAC XLP/PVC	Diam. (In)
Component:	2 Conductors	
Conductor:	16 AWG 19/0117" Tin Copper Waterblocked	0.0567"
Insulation:	0.023" XLPE to SAE J-1128 Type GXL	0.1027"
Color Code:	Black, Red	0.1027"
Cable Assembly:	2 Conductors Pulled Parallel	.206" x .103"
Tape:	Non-Woven Separator Tape for Strip-Ability (optional)	.211" x .108"
Jacket:	0.05" Premium Grade UL PVC	.423" x .246"
Jacket Color:	Black	.423" x .246"

Print:

Specifications:

**Each conductor is blocked with a silicone blocking agent**

### Environmental Compliance

- EU Directive 2011/65/EC(RoHS):
- REACH Regulation (EC 1907/2006):
- California Prop 65:

IQ160209

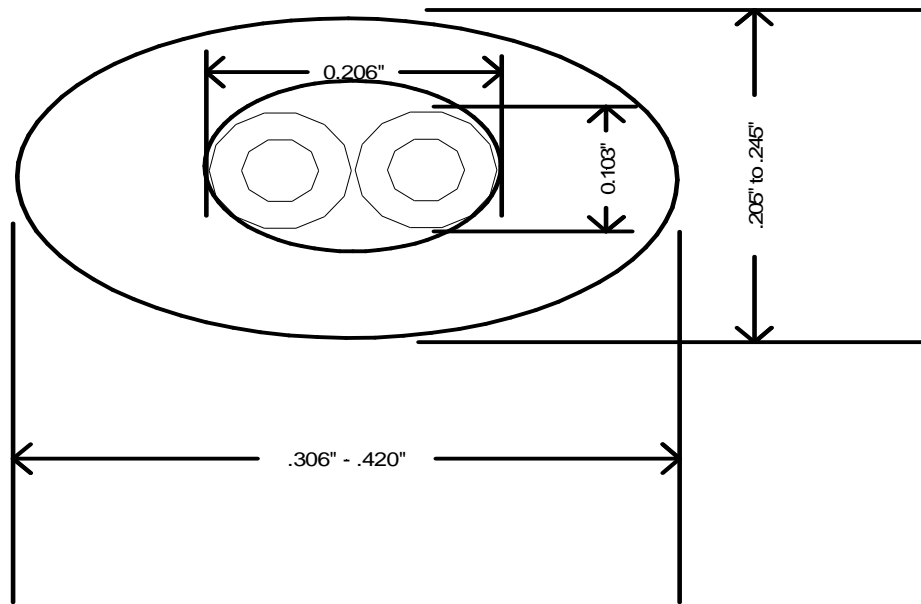


Hueson Wire  
38 Sutton Street  
Northbridge, MA 01534  
508-234-6372  
[bhanlon@huesonwire.com](mailto:bhanlon@huesonwire.com)

Issue Date: 6/7/2016

Issue: 1

**Drawing/Rotation:**



\*\*These are approximate dimensions. We will have exact dimensions upon completion of the prototype  
To hit exact dimensions at this time would require very expensive precision tooling