



**NOTES:**

1. **DESCRIPTION.** SLEEVING, ELECTRICAL, SPIRAL-CUT CABLE WRAP.
2. **REFERENCED DOCUMENTS.** UNLESS OTHERWISE SPECIFIED, REFERENCED DOCUMENTS OF THE ISSUE IN EFFECT ON THE DATE OF THE PURCHASE ORDER OR SUBCONTRACT, SHALL FORM A PART OF THIS DRAWING TO THE EXTENT SPECIFIED HEREIN. WHENEVER REFERENCED DOCUMENTS CONFLICT WITH THIS DRAWING, THIS DRAWING SHALL GOVERN.
3. **REQUIREMENTS**
  - 3.1 **MATERIAL.** TETRAFLUOROETHYLENE (TFE) IN ACCORDANCE WITH ASTM D3295, COLOR NATURAL.
  - 3.2 **MECHANICAL**
    - 3.2.1 **DESIGN AND CONSTRUCTION.** SLEEVING SHALL BE OF THE DESIGN, CONSTRUCTION AND PHYSICAL DIMENSIONS AND TOLERANCES SPECIFIED IN FIGURES 1 AND 2, OUTLINE DRAWINGS, AND TOLERANCE BLOCK, SHEET 1.
    - 3.2.2 **THE SLEEVING SHALL BE PURCHASED WITH EITHER A LEFT OR RIGHT SPIRAL CUT AS SHOWN IN TABLE I AND FIGURES 1 AND 2.**
    - 3.2.3 **SLEEVING SHALL BE USED FOR WRAPPING WIRE BUNDLES WITH OVERALL DIAMETERS SHOWN IN TABLE I.**
    - 3.2.4 **MINIMUM ACCEPTABLE LENGTH SHALL BE SPECIFIED BY THE PROCURING ACTIVITY ON THE PURCHASE ORDER.**
  - 3.3 **ENVIRONMENTAL.** SHALL BE IN ACCORDANCE WITH NAVORD DOCUMENT OD32195 WHERE APPLICABLE.
    - 3.3.1 **TEMPERATURE RANGE.** -67°C TO +260°C.
  - 3.4 **MARKING.** IDENTIFY UNIT PACKAGES WITH MANUFACTURER'S NAME OR SYMBOL AND PART NUMBER IN ACCORDANCE WITH MIL-STD-130. ADDITIONAL MARKING AT MANUFACTURER'S OPTION.

SIZE <b>A</b>	CODE IDENT NO. <b>53711</b>	NAVSEA DWG NO. <b>6322062</b>
SCALE <b>NONE</b>	REV <b>-</b>	SHEET <b>2</b>

3.5 WORKMANSHIP. SLEEVING SHALL BE PROCESSED IN SUCH A MANNER AS TO BE UNIFORM IN QUALITY AND SHALL BE FREE FROM ANY DEFECTS THAT AFFECT LIFE, SERVICEABILITY, OR APPEARANCE AND SHALL CONFORM WITH MIL-STD-454, REQUIREMENT 9, AS APPLICABLE.

4. QUALITY ASSURANCE PROVISIONS. AQL 4.0 PERCENT, LEVEL II, IN ACCORDANCE WITH MIL-STD-105. ALL MATERIAL, CONSTRUCTION AND DIMENSIONS SHALL COMPLY.

SUGGESTED SOURCE(S) OF SUPPLY:

ZEUS INDUSTRIAL PRODUCTS, INC.  
 PSCN NO. 32039  
 RARITAN, NJ 08869  
 MFR PART NUMBER: SEE TABLE I

IDENTIFICATION OF THE "SUGGESTED SOURCE(S) OF SUPPLY" HEREON IS NOT TO BE CONSTRUED AS A GUARANTEE OF PRESENT OR CONTINUED AVAILABILITY AS A SOURCE OF SUPPLY FOR THE ITEM(S).

APPLICABLE DOCUMENTS:

OD 32195

SIZE <b>A</b>	CODE IDENT NO. <b>53711</b>	NAVSEA DWG NO. <b>6322062</b>
SCALE NONE	REV -	SHEET 3

TABLE I

NAVSEA PART NUMBER	DIA A OD	DIA B ID	DIM C THK	DIM D PITCH	SPIRAL CUT (FIGURE)	BUNDLE DIA MAX. SEE 3.2.3	MANUFACTURER'S PART NUMBER
							ZEUS
6322062-1	.12	.06	.030	.25	RIGHT (1)	1/2	TFE-1/8ODSCR NATURAL
6322062-2	.19	.12	.030	.25	RIGHT (1)	1	TFE-3/16ODSCR NATURAL
6322062-3	.25	.19	.030	.38	RIGHT (1)	2	TFE-1/4ODSCR NATURAL
6322062-4	.31	.25	.030	.38	RIGHT (1)	2 1/2	TFE-5/16ODSCR NATURAL
6322062-5	.38	.31	.030	.44	RIGHT (1)	3	TFE-3/8ODSCR NATURAL
6322062-6	.50	.44	.030	.56	RIGHT (1)	4	TFE-1/2ODSCR NATURAL
6322062-7	.62	.56	.030	.62	RIGHT (1)	5	TFE-5/8ODSCR NATURAL
6322062-8	.75	.69	.040	.88	RIGHT (1)	6	TFE-3/4ODSCR NATURAL
6322062-9	1.00	.94	.040	1.00	RIGHT (1)	8	TFE-1ODSCR NATURAL

SCALE	NONE	REV	-
SIZE	A	CODE IDENT NO.	53711
		NAVSEA DWD NO.	6322062
SHEET	4		

TABLE I (CONT)

NAVSEA PART NUMBER	DIA A OD	DIA B ID	DIM C THK	DIM D PITCH	SPIRAL CUT (FIGURE)	BUNDLE DIA MAX. (SEE 3.2.3)	MANUFACTURER'S PART NUMBER
6322062-10	.12	.06	.030	.25	LEFT (2)	1/2	ZEUS TFE-1/80DSCL NATURAL
6322062-11	.19	.12	.030	.25	LEFT (2)	1	TFE-3/160DSCL NATURAL
6322062-12	.25	.39	.030	.38	LEFT (2)	2	TFE-1/40DSCL NATURAL
6322062-13	.31	.25	.030	.38	LEFT (2)	2 1/2	TFE-5/160DSCL NATURAL
6322062-14	.38	.31	.030	.44	LEFT (2)	3	TFE-3/80DSCL NATURAL
6322062-15	.50	.44	.030	.56	LEFT (2)	4	TFE-1/20DSCL NATURAL
6322062-16	.62	.56	.030	.62	LEFT (2)	5	TFE-5/80DSCL NATURAL
6322062-17	.75	.69	.040	.88	LEFT (2)	6	TFE-3/40DSCL NATURAL
6322062-18	1.00	.94	.040	1.00	LEFT (2)	8	TFE-10DSCL NATURAL

SIZE <b>A</b>	CODE IDENT NO. <b>53711</b>	NAVSEA DWG NO. <b>6322062</b>
SCALE NONE	REV -	SHEET 5

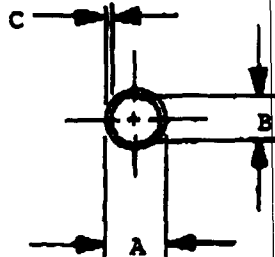
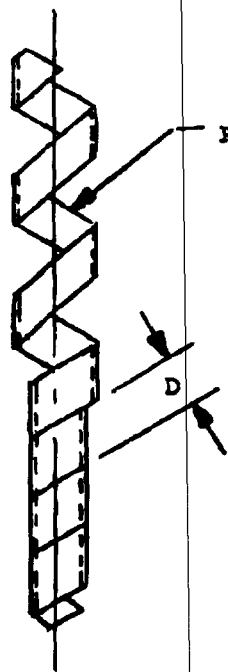


FIGURE 1. OUTLINE DRAWING, RIGHT CUT

SIZE	CODE IDENT NO.	NAVSEA DWG NO.	
A	53711	6322062	
SCALE	NONE	REV	SHEET 6

FOAM NO. 40-0000 (REV)



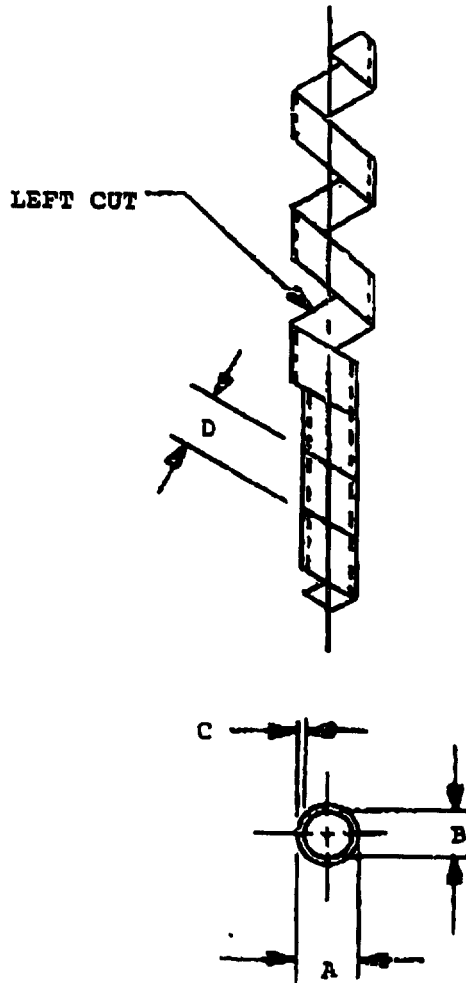


FIGURE 2. OUTLINE DRAWING, LEFT CUT

SIZE <b>A</b>	CODE IDENT NO. <b>53711</b>	NAVSEA DWG NO. <b>6322062</b>
SCALE <b>NONE</b>	REV <b>—</b>	SHEET <b>7</b>