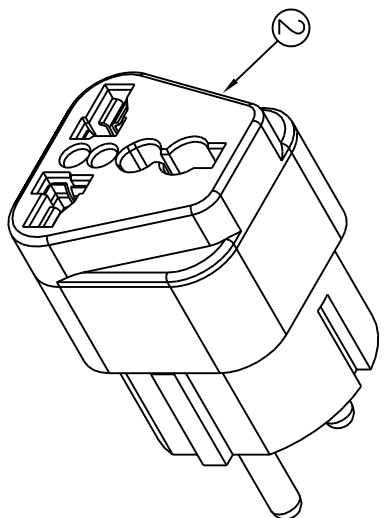
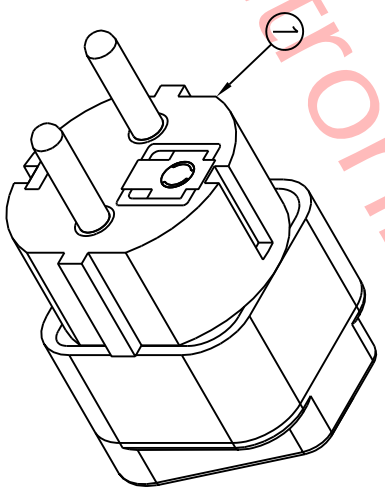
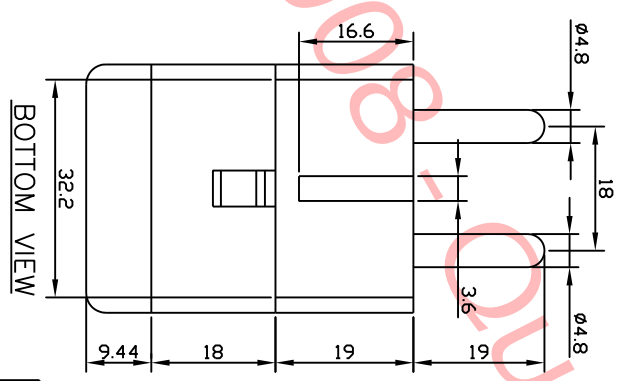
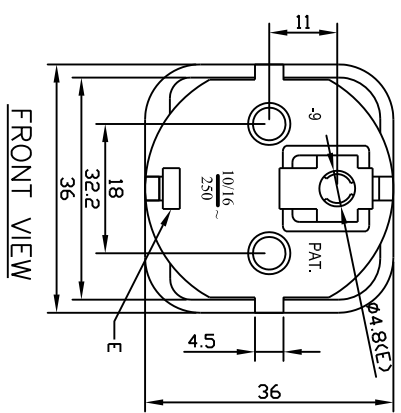
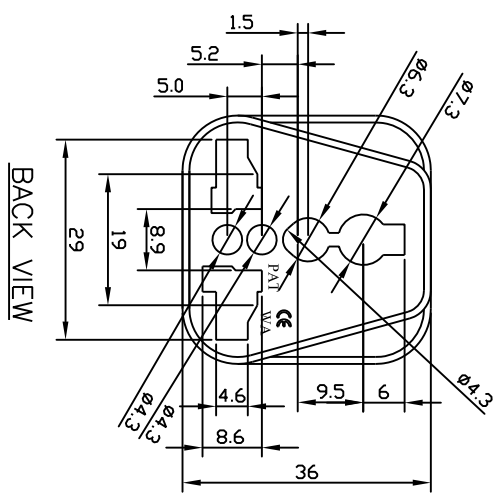


CUSTOMER: P/N: 0521.B REV. APPROVED BY:

REVISIONS		
REV.	DESCRIPTION	DATE

RoHS (2002/95/EC) COMPLIANT



NOTES:

PRODUCT SPECIFICATIONS:

- COLOR: BLACK
- ① INPUT: CEE 7/7 EUROPEAN PLUG "SCHUKO" 16 (A) 250 (V) APPROVAL: CE
- ② OUTPUT: UNIVERSAL ADAPTER 16 (A) 250 (V) APPROVAL: CE

ENGINEER:	SIGNATURE	 <p>QUAIL ELECTRONICS, INC. http://www.quail.com</p>
MANAGER:		
CHECKED BY:		
DRAWN BY:		
PRODUCT NO.:	DATE:	
UNIT: mm	SHEET: 1 OF 1	REV.
DWG NO.:		

THE INFORMATION CONTAINED HEREIN IS PROPRIETARY TO QUAL ELECTRONICS, INC. ANY USE OR DISCLOSURE OF THIS INFORMATION, EXCEPT FOR THE EXCLUSIVE BENEFIT OF QUAL ELECTRONICS, INC. IS PROHIBITED.