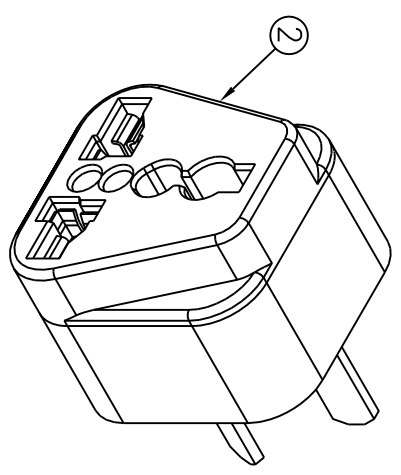
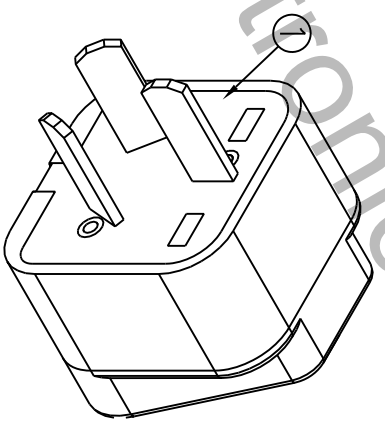
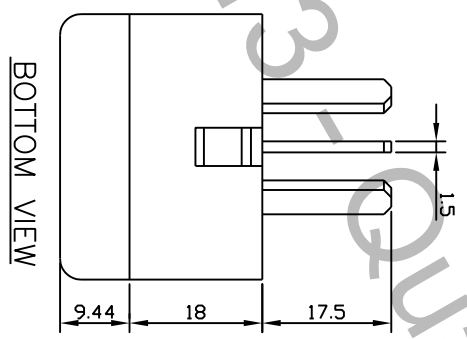
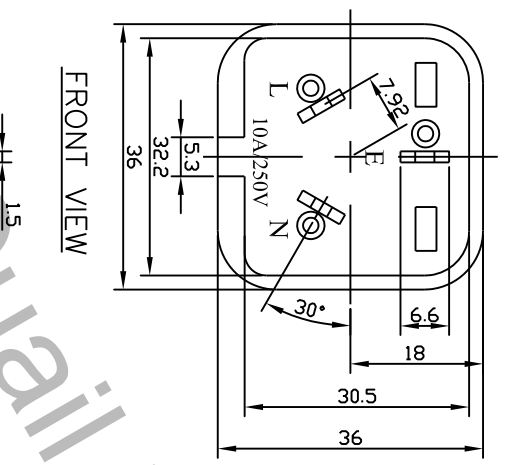
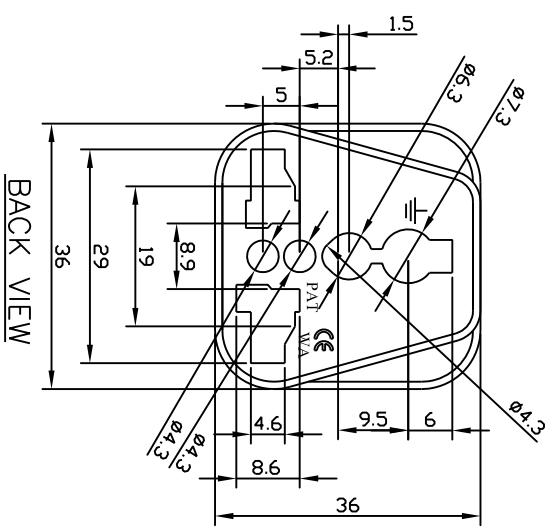


**RoHS** (2002/95/EC) COMPLIANT

CUSTOMER: P/N: 0523.BG REV. APPROVED BY:


REVISIONS			
REV.	DESCRIPTION	DATE	APPVD.
Δ			
Δ			
Δ			
Δ			
Δ			



NOTES:

**PRODUCT SPECIFICATIONS:**

- COLOR: BEIGE
- ① INPUT: AS/NZS 4417 AUSTRALIA PLUG 10 (A) 250 (V) APPROVAL: CE
  - ② OUTPUT: UNIVERSAL ADAPTER 10 (A) 250 (V) APPROVAL: CE

ENGINEER:	SIGNATURE	 <p><b>QUAIL ELECTRONICS, INC.</b>  <a href="http://www.quoil.com">http://www.quoil.com</a></p>
MANAGER:		
CHECKED BY:		
DRAWN BY:		
PRODUCT NO.:	DATE:	
UNIT: mm	SHEET: 1 OF 1	REV.
DWG NO.:		

THE INFORMATION CONTAINED HEREIN IS PROPRIETARY TO QUAL ELECTRONICS, INC. ANY USE OR DISCLOSURE OF THIS INFORMATION, EXCEPT FOR THE EXCLUSIVE BENEFIT OF QUAL ELECTRONICS, INC. IS PROHIBITED.