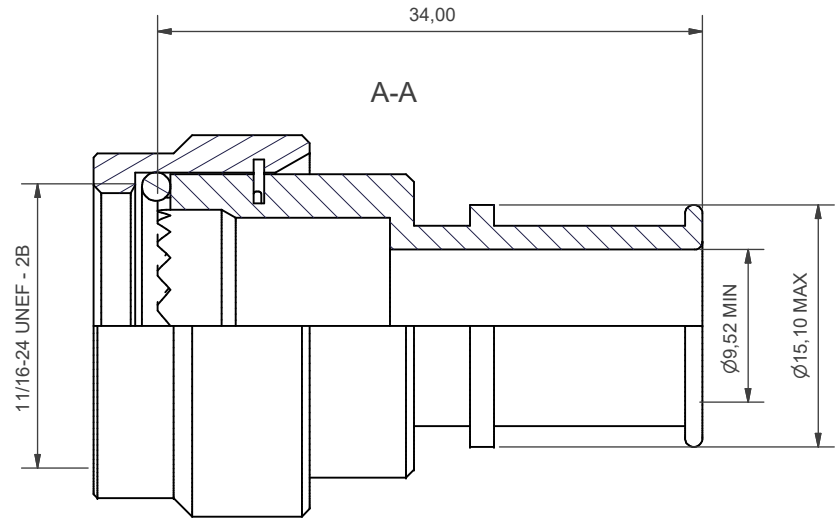
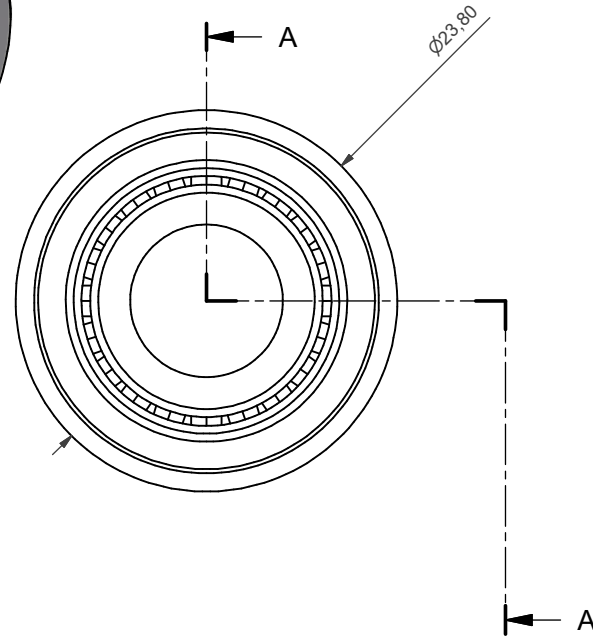
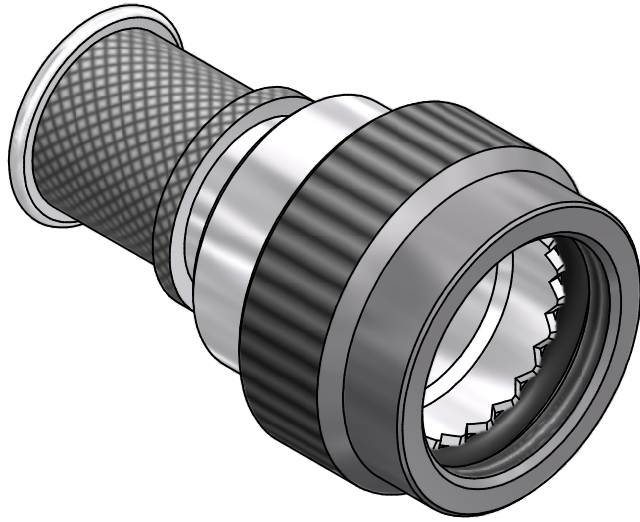


DRAWING NO
P5660

3RD ANGLE PROJECTION



REMOVE ALL SHARP EDGES AND BURRS



SUPPLIED WITH HE100 SPRING

HTD1-12-06-1-*-H

SERIES
CONNECTOR INTERFACE
ANGLE (1 - STRAIGHT)
SHELL SIZE
ENTRY SIZE
MATERIAL
PLATING (B - CADMIUM OLIVE DRAB)
(ZB - ZINC COBALT OLIVE DRAB)
HARRIS RADIO

DIMENSIONS APPLY AFTER PLATING

ISSUE	DCR NO.	DATE	APPROVED	MATERIAL	UNLESS OTHERWISE SPECIFIED ALL DIMENSIONS IN MILLIMETRES TOLERANCE ON DIMENSIONS +/-0.1MM TOLERANCE ON ANGLES +/- 1 DEGREE	DO NOT SCALE THIS DRAWING THIS DRAWING IS COPYRIGHT, AND THE PROPERTY OF POLAMCO LTD. IT MUST NOT BE COPIED, USED FOR MANUFACTURE OR OTHERWISE DISCLOSED WITHOUT PRIOR WRITTEN CONSENT OF THE COMPANY.	HELLERMANN TYTON	PART NO HTD1-12-06-1-*-H
1		29/07/2003	ADP	ALUM ALLOY 6262-T9	WEIGHT	TITLE SPRING ADAPTOR ASSEMBLY	ASSY USED ON MS3116J12-10P	
					DRAWN DIW			DRAWING NO P5660