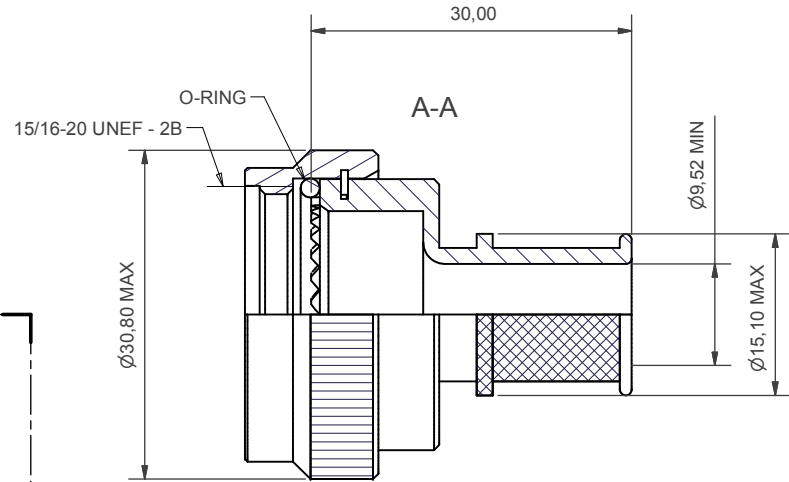
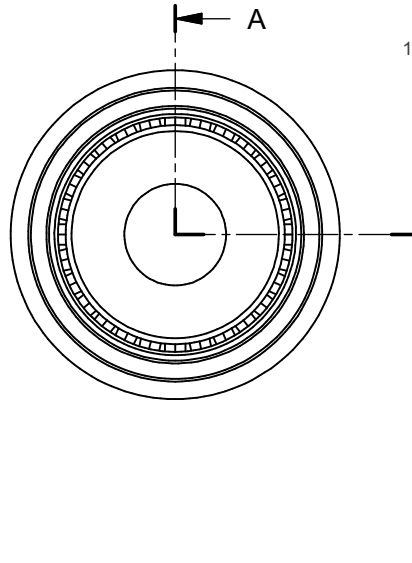
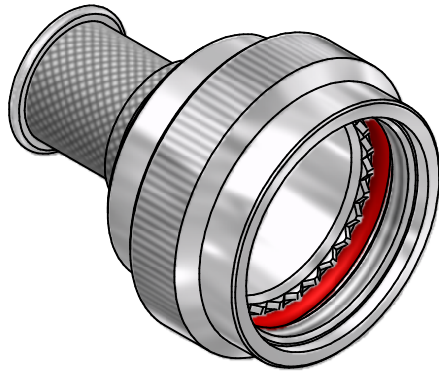


DRAWING NO  
**P5657**

3RD ANGLE PROJECTION



REMOVE ALL SHARP EDGES AND BURRS



SUPPLIED WITH HE100 SPRING

**HTM1-16-06-1-\*-H**

SERIES \_\_\_\_\_  
 CONNECTOR INTERFACE \_\_\_\_\_  
 ANGLE (1 - STRAIGHT) \_\_\_\_\_  
 SHELL SIZE \_\_\_\_\_  
 ENTRY SIZE \_\_\_\_\_  
 MATERIAL \_\_\_\_\_  
 PLATING (B - CADMIUM OLIVE DRAB) \_\_\_\_\_  
 (ZB - ZINC COBALT OLIVE DRAB) \_\_\_\_\_  
 HARRIS RADIO \_\_\_\_\_

DIMENSIONS APPLY AFTER PLATING

ISSUE	DCR NO.	DATE	APPROVED	MATERIAL	UNLESS OTHERWISE SPECIFIED ALL DIMENSIONS IN MILLIMETRES TOLERANCE ON DIMENSIONS +/- 0.1MM TOLERANCE ON ANGLES +/- 1 DEGREE	DO NOT SCALE THIS DRAWING	HELLERMANN TYTON	PART NO
1		29/07/2003	ADP	<b>ALUM ALLOY 6262-T9</b>	WEIGHT _____ DRAWN _____ DIW _____	THIS DRAWING IS COPYRIGHT, AND THE PROPERTY OF POLAMCO LTD. IT MUST NOT BE COPIED, USED FOR MANUFACTURE OR OTHERWISE DISCLOSED WITHOUT PRIOR WRITTEN CONSENT OF THE COMPANY.	<b>SPRING ADAPTOR ASSEMBLY</b>	HTM1-16-06-1-*-H
								ASSY USED ON
								MC2127
								DRAWING NO <b>P5657</b>