

**NOTICE**

THIS DRAWING EMBODIES A CONFIDENTIAL PROPRIETARY DESIGN ORIGINATED BY G.W. LISK COMPANY, INC. AND ALL DESIGN, MANUFACTURING, REPRODUCTION, USE, AND SALE RIGHTS REGARDING THE SAME ARE EXPRESSLY RESERVED. IT IS SUBMITTED UNDER A CONFIDENTIAL RELATIONSHIP FOR A SPECIFIC PURPOSE, AND THE RECIPIENT AGREES BY ACCEPTING THIS DRAWING NOT TO SUPPLY OR DISCLOSE ANY INFORMATION REGARDING IT TO ANY UNAUTHORIZED PERSON, OR TO INCORPORATE IN OTHER PROJECTS ANY SPECIAL FEATURES PECULIAR TO THIS DESIGN. ALL PATENT RIGHTS HERETO ARE EXPRESSLY RESERVED BY G.W. LISK COMPANY, INC., CLIFTON SPRINGS, NEW YORK.

PTFE CONVOLUTED CONDUIT WITH SINGLE FULL LENGTH SLIT

MATERIAL: TEFLON

TEMPERATURE RANGE: -67°C - +260°C  
(MINIMUM REQUIREMENT)

COLOR: BLACK

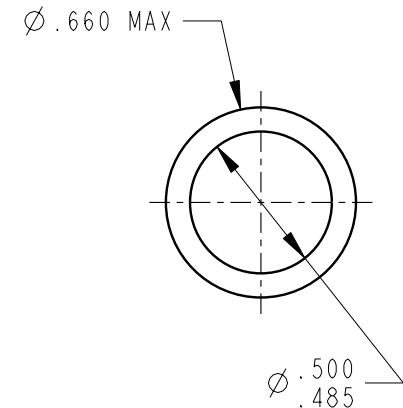
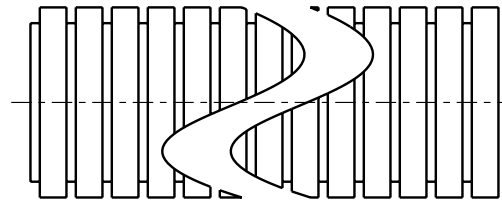
SUGGESTED SOURCE: TEXLOC  
P/N CV01-1/2-OTC/ EQUIVALENT

**REVISIONS**

REV	DESCRIPTION	DATE	APPROVED
A	ADDED QUALITY SIGN OFF BOX; 16MAY12 RES	18MAY12	DRB
B	RMV'D 12.75-13.25; NEXT ASSY WAS VA2-2386-02; ADDED "TUBING" TO NAME R.STRANG 22DEC15 3	06JAN16	S. CLAPHAM

**CONTROLLED PROCESSING PER PWI 04.01.03  
NO MODIFICATIONS PERMITTED WITHOUT  
AUTHORIZATION BY THE QUALITY ENGINEER.**

Q.E. J. STANDARDS 08JAN16



**UNLESS OTHERWISE SPECIFIED**

93 Ra FINISH ALL OVER

~~F~~ - SMOOTH FINISH FOR APPEARANCE ONLY

~~RUNOUT BETWEEN COAXIAL DIAMETERS NOT TO EXCEED .005 FULL INDICATOR MOVEMENT~~

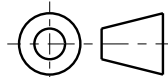
~~BREAK ALL SHARP EDGES .010 MAX ALL MACHINED INSIDE CORNERS R .010 MAX~~

~~R - RADIUS OR CHAMFER ACCEPTABLE~~

DIMENSIONS ARE IN INCHES

INTERPRET DIM AND TOL PER ASME Y14.5-2009

THIRD ANGLE PROJECTION



DRAWN

T. TOTMAN 16FEB12

CHECK

D. BOCKRATH 19APR12

ENGINEER

D. BOCKRATH 19APR12

NEXT ASSY

VY2-4061

JOB NO

M2-4227-02

**G. W. LISK CO., INC.**  
CLIFTON SPRINGS, NEW YORK

**CONVOLUTED CONDUIT TUBING**

SIZE	CAGE CODE	DWG NO.	REV
<b>A</b>	<b>81983</b>	<b>VY2-2984</b>	<b>B</b>
DO NOT SCALE	1.000	WEIGHT	SHEET 1 OF 1