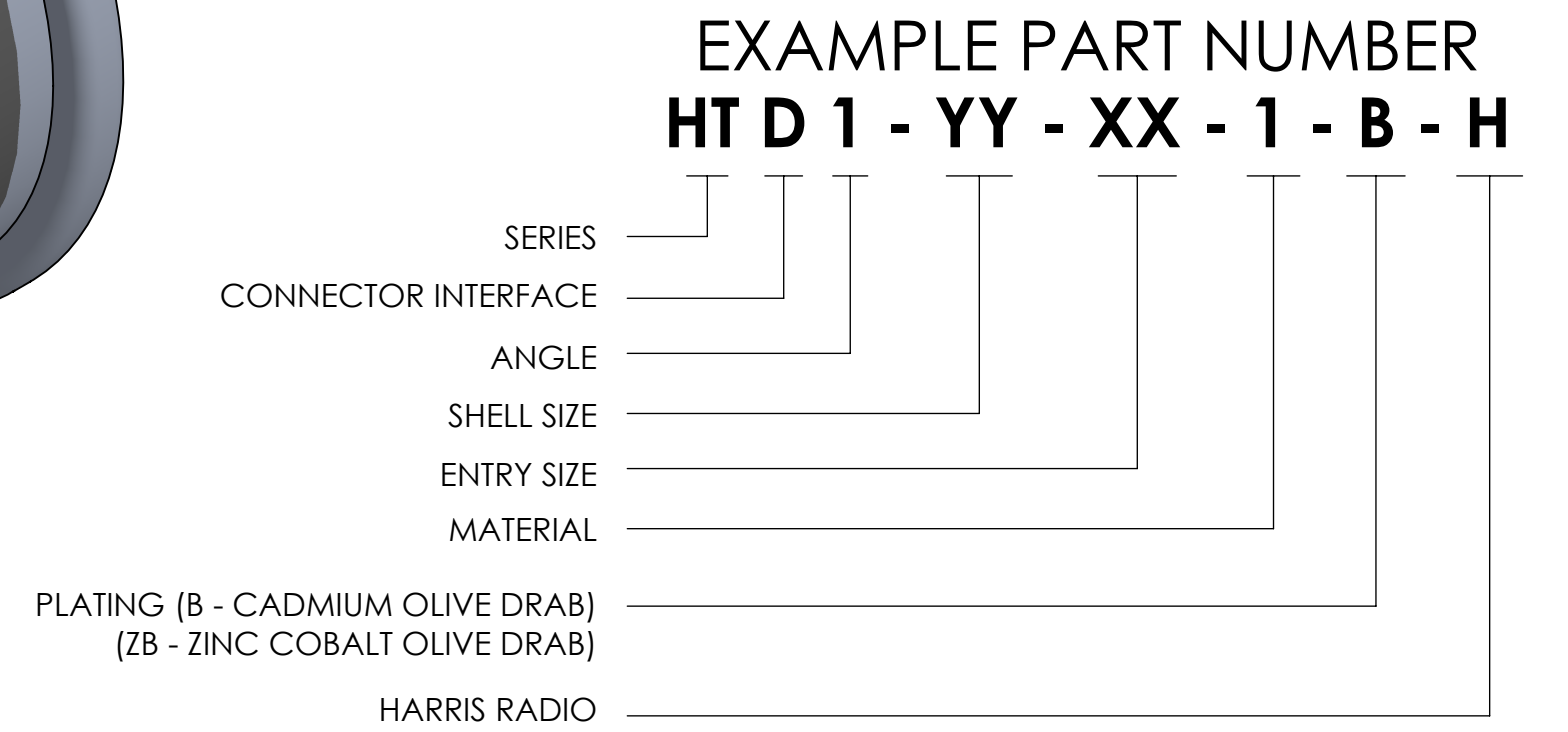
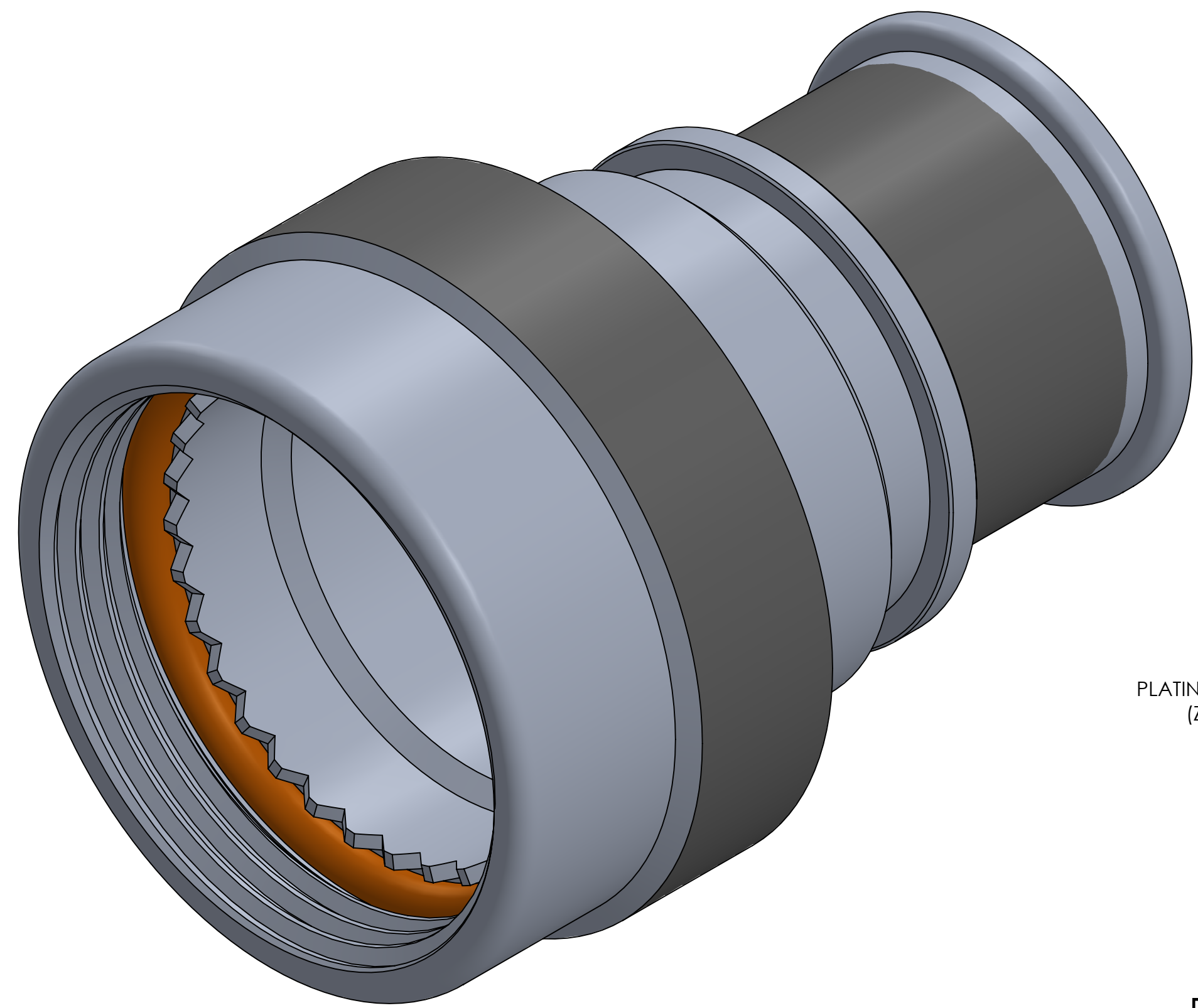
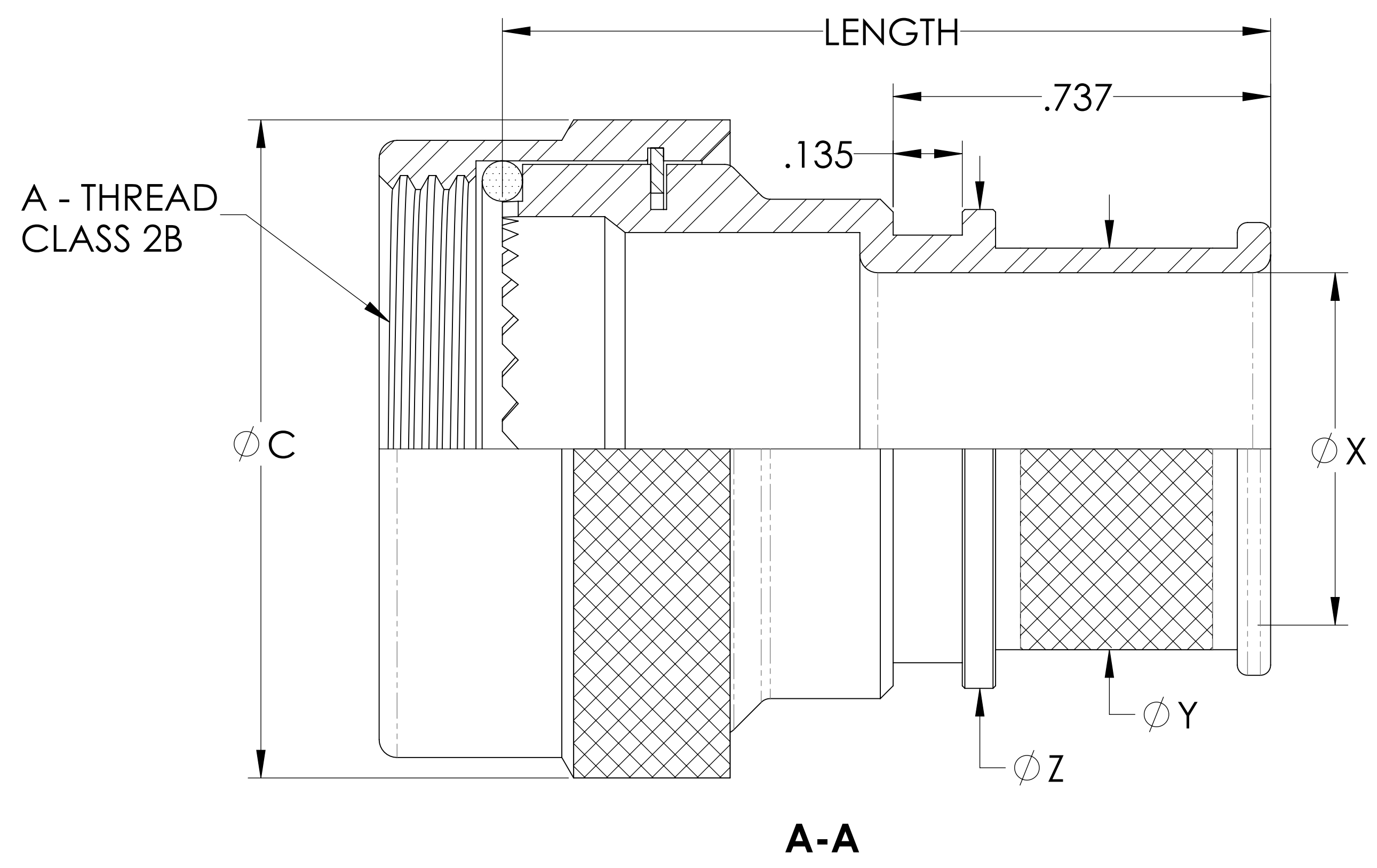
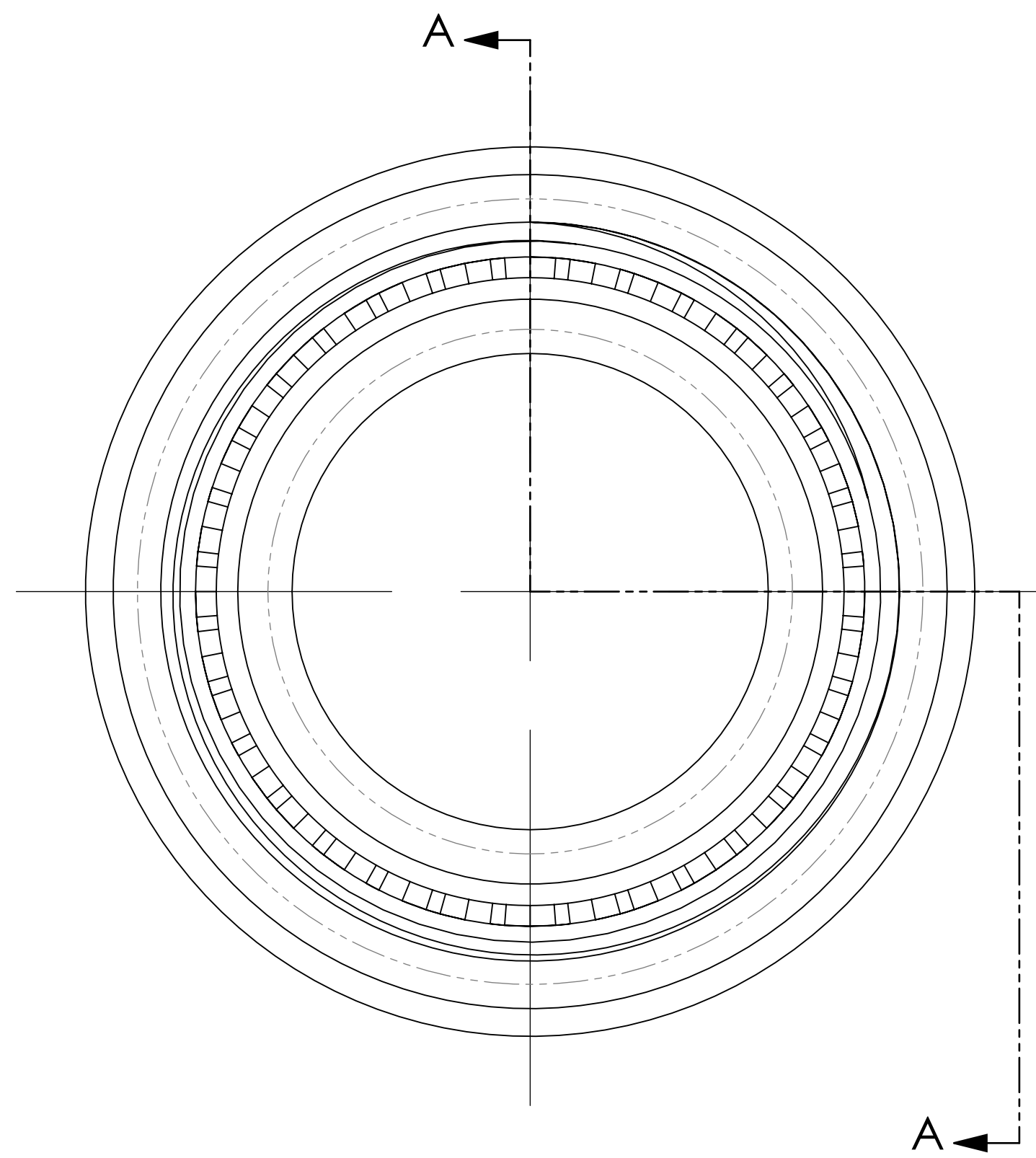


ENTRY SIZE	ZETALOK SPRING SIZE (REF)	X ±.015 DIA.	Y ±.015 DIA.	Z ±.015 DIA.
02	0050	0.125	0.221	0.372
04	0100	0.250	0.346	0.497
06	0100	0.375	0.471	0.622
08	0200	0.500	0.596	0.747
10	0200	0.625	0.721	0.872
12	0300	0.750	0.846	0.997
14	0300	0.875	0.971	1.122
16	0300	1.000	1.096	1.247
18	0300	1.125	1.221	1.372
20	0400	1.250	1.346	1.497
22	0400	1.375	1.471	1.622
24	0400	1.500	1.596	1.747
26	0400	1.625	1.721	1.872



SHELL SIZE	A - THREAD CLASS 2B	ØC MAX
08	7/16 - 28 UNEF	0.745
10	9/16 - 24 UNEF	0.874
12	11/16 - 24 UNEF	1.001
14	13/16 - 20 UNEF	1.129
16	15/16 - 20 UNEF	1.249
18	1 1/16 - 18 UNEF	1.365
20	1 3/16 - 18 UNEF	1.492
22	1 5/16 - 18 UNEF	1.597
24	1 7/16 - 18 UNEF	1.742



HellermannTyton

ADAPTER, ZETALOK

CODE IDENT. **K 0720**

SCD. NO: DOC. NO: **HTD461D** SCALE: SHT.: **1 OF 1**