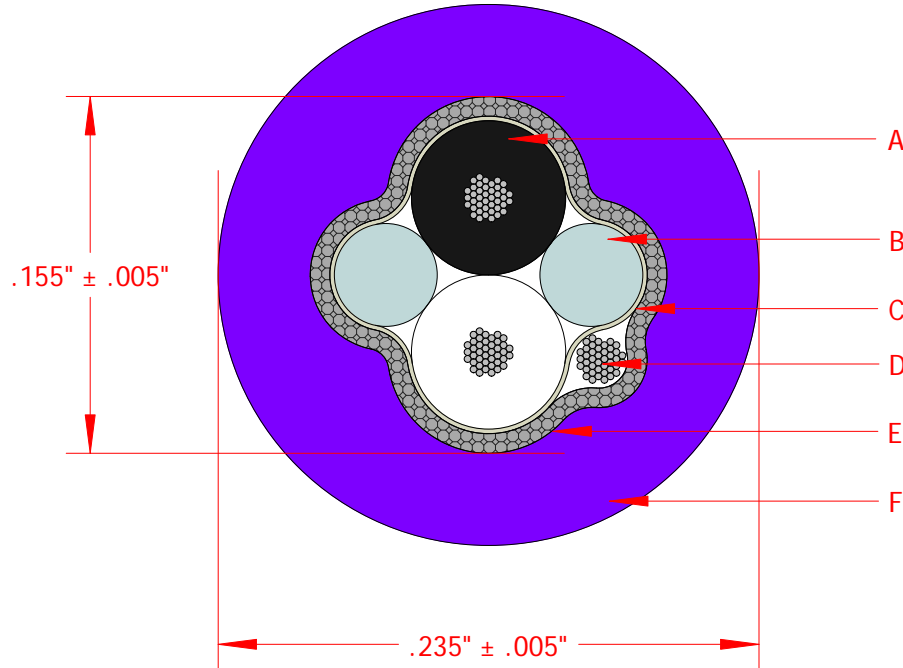


YOUR SIGNATURE CONSTITUTES THAT YOU HAVE READ AND AGREED TO THIS SPECIFICATION SHEET AND UPON CONFIRMATION OF YOUR ORDER; THIS ITEM MAY BE NON-CANCELABLE AND NON-RETURNABLE.

Signature:

Date:

Company:



A: 24 AWG 2 Conductors Stranded TC Foamed PE Insulation

AWG Size & Stranding: 24 AWG 41/40
 Metal Type: Annealed Tinned Copper
 Nominal Wire Diameter: 0.025

Insulation Type: Foamed Polyethylene
 Nominal Insulation Thickness: 0.021
 Nominal Conductor Diameter: 0.067
 Color Code: Black, White

B: Solid PE Filler

Nominal Cable Lay Length: 1.50 Left Hand Lay

C: Nonwoven Polyester Tape - 100% Coverage

D: 24 AWG Tinned Copper Drain Wire

E: 38 AWG Tinned Copper Braid Shield - 95% Coverage

F: Pressure Extruded PVC Jacket, Nominal Thickness: 0.040, Color: Purple

Notes:

Type of Print: Print Wheel in Silver Ink
 Footage Markers: N/A
 Work Order #: Yes (Opposite side of Legend)
 Ripcord: N/A
 Weight: 30 Lbs/Mft

Electrical Characteristics:

Impedance: 110 Ω
 Mutual Capacitance: 11 pF/ft
 Conductor DCR: 28.7 Ω/Mft. @ 20°C



- MK401DX - 24 AWG High Bandwidth 110Ω Shielded Digital Audio Single Pair (800) 817-2683 | www.emfgrp.com



24 AWG Shielded 110Ω Digital Audio Pair High Flex			
All Dimensions are Shown In Inches		PROPRIETARY DOCUMENT	
Third Angle Projection		<small>THIS DRAWING MAY CONTAIN PATENTED OR PROPRIETARY INFORMATION AND MUST NOT BE REPRODUCED, DISTRIBUTED OR USED FOR MANUFACTURING WITHOUT THE WRITTEN CONSENT OF LAKE CABLE, LLC. ACCEPTANCE OF THIS DRAWING WILL BE CONSTRUED AS AN AGREEMENT TO AND ACCEPTANCE OF THE FOREGOING.</small>	
Drawn By: MTZ	Scale: 12 : 1	Cust. #: -	REV -
Reviewed By:	Sheet: 1 of 1	Lake's #: AVBS241DFLEX-7TT	REV A
Cage Code: N/A		Date Created: 08/25/16	

A	Drawing Release	MTZ	08/25/16				
Revision	Description	Approved By	Date				