

4

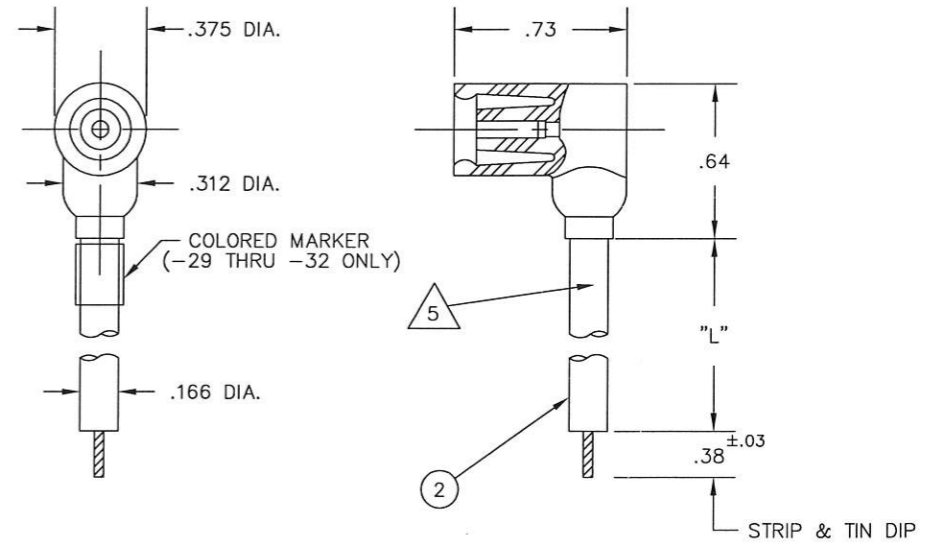
3

2

1

CONNECTRONICS P/N	DESCRIPTION	"L" DIM.	WIRE COLOR	WIRE P/N	CUSTOMER P/N	MARKER
10048-01	AS SHOWN BELOW	1'-0" $\pm \frac{.25}{.00}$ "	GREEN	066-022-10		
10048-02	AS SHOWN BELOW	1'-0" $\pm \frac{.25}{.00}$ "	RED	066-022-12		
10048-03	AS SHOWN BELOW	1'-0" $\pm \frac{.25}{.00}$ "	BROWN	066-022-11		
10048-04	AS SHOWN BELOW	1'-0" $\pm \frac{.25}{.00}$ "	YELLOW	066-022-09		
10048-05	AS SHOWN BELOW	1'-0" $\pm \frac{.25}{.00}$ "	BLUE	066-022-14		
10048-06	AS SHOWN BELOW	1'-0" $\pm \frac{.25}{.00}$ "	WHITE	066-022-03		
10048-07	AS SHOWN BELOW	3'-6" $\pm \frac{.1}{.0}$ "	WHITE	066-022-03		
10048-08	AS SHOWN BELOW	2'-6" $\pm \frac{.1}{.0}$ "	WHITE	066-022-03		
10048-09	AS SHOWN BELOW	2'-6" $\pm \frac{.1}{.0}$ "	BROWN	066-022-11		
10048-10	AS SHOWN BELOW	2'-6" $\pm \frac{.1}{.0}$ "	YELLOW	066-022-09		
10048-11	AS SHOWN BELOW	2'-6" $\pm \frac{.1}{.0}$ "	GREEN	066-022-10		
10048-12	AS SHOWN BELOW	2'-6" $\pm \frac{.1}{.0}$ "	RED	066-022-12		
10048-13	AS SHOWN BELOW	2'-0" $\pm \frac{.50}{.00}$ "	WHITE	066-022-03		
10048-14	AS SHOWN BELOW	2'-0" $\pm \frac{.50}{.00}$ "	BROWN	066-022-11		
10048-15	AS SHOWN BELOW	2'-0" $\pm \frac{.50}{.00}$ "	YELLOW	066-022-09	TMEC 203445-01	
10048-16	AS SHOWN BELOW	2'-0" $\pm \frac{.50}{.00}$ "	GREEN	066-022-10	TMEC 203445-02	
10048-17	AS SHOWN BELOW	2'-0" $\pm \frac{.50}{.00}$ "	RED	066-022-12		
10048-18	AS SHOWN BELOW	3'-6" $\pm \frac{.1}{.0}$ "	GREEN	066-022-10		
10048-19	AS SHOWN BELOW	3'-0" $\pm \frac{.1}{.0}$ "	WHITE	066-022-03		
10048-20	AS SHOWN BELOW, SEMICON WIRE	15.75" $\pm \frac{.50}{.00}$ "	WHITE SEMICON	066-031-01		
10048-21	AS SHOWN BELOW	3'-0" $\pm \frac{.1}{.0}$ "	RED	066-022-12	LITTON 304612	
10048-22	AS SHOWN BELOW, SEMICON WIRE	2'-0" $\pm \frac{.50}{.00}$ "	WHITE SEMICON	066-031-14 (H.S.S.)	START SPELLMAN	
10048-23	AS SHOWN BELOW	2'-7" $\pm \frac{.1}{.0}$ "	GREEN	066-022-10	LITTON	
10048-24	AS SHOWN BELOW	10'-0" $\pm \frac{.6}{.0}$ "	WHITE	066-022-03	ST KELTEC CORP.	
10048-25	AS SHOWN BELOW	10'-0" $\pm \frac{.6}{.0}$ "	BLUE	066-022-14	ST KELTEC CORP.	
10048-26	AS SHOWN BELOW	3'-0" $\pm \frac{.1}{.0}$ "	BLUE	066-022-14	LITTON 0468210C	
10048-27	AS SHOWN BELOW	1'-1" $\pm \frac{.25}{.00}$ "	WHITE	066-022-03		
10048-28	AS SHOWN BELOW	1'-6" $\pm \frac{.25}{.00}$ "	WHITE	066-022-03	SUPERTEK	
10048-29	AS SHOWN BELOW	20.00" $\pm \frac{.50}{.00}$ "	WHITE	066-022-03	CORNELL DUBILIER	YELLOW
10048-30	AS SHOWN BELOW	20.00" $\pm \frac{.50}{.00}$ "	WHITE	066-022-03	CORNELL DUBILIER	RED
10048-31	AS SHOWN BELOW	20.00" $\pm \frac{.50}{.00}$ "	WHITE	066-022-03	CORNELL DUBILIER	GRAY
10048-32	AS SHOWN BELOW	20.00" $\pm \frac{.50}{.00}$ "	WHITE	066-022-03	CORNELL DUBILIER	ORANGE
10048-33	AS SHOWN BELOW	2'-7" $\pm \frac{.50}{.00}$ "	BROWN	066-022-11	LITTON REF. 16RC1030-2L7	
10048-34	AS SHOWN BELOW	2'-7" $\pm \frac{.50}{.00}$ "	YELLOW	066-022-09	LITTON REF. 17RC1030-2L7	
10048-35	AS SHOWN BELOW	1'-6" $\pm \frac{.25}{.00}$ "	BROWN	066-022-11	ELTA	
10048-36	AS SHOWN BELOW	3'-4" $\pm \frac{.50}{.00}$ "	YELLOW	066-022-09	ELTA	
10048-37	AS SHOWN BELOW	1'-6" $\pm \frac{.25}{.00}$ "	GREEN	066-022-10	ELTA	
10048-38	AS SHOWN BELOW	3'-4" $\pm \frac{.50}{.00}$ "	RED	066-022-12	ELTA	
10048-39	AS SHOWN BELOW, SEMICON WIRE	1'-6" $\pm \frac{.25}{.00}$ "	WHITE SEMICON	066-031-14	AGILENT	
10048-40	AS SHOWN BELOW	0'-6" $\pm \frac{.25}{.00}$ "	WHITE	066-022-03	AGILENT	
10048-41	AS SHOWN BELOW	1'-3" $\pm \frac{.25}{.00}$ "	WHITE	066-022-03	AGILENT	
10048-42	AS SHOWN BELOW	1'-3.75" $\pm \frac{.25}{.00}$ "	WHITE	066-022-03	AGILENT	

ZONE	LTR	DESCRIPTIONS	DATE	APPROVED
	A	ECO 1131	6-9-92	DBP
	B	ECO 1360	3-9-95	PJG
	C	ECO 1537	3-12-96	PJG
	D	ECO 1889	1-28-98	PJG
	E	ECO 2101	12-11-98	PJG
	F	ECO 2189	3-29-99	PJG
	G	ECO 2275	8-25-99	PJG
	H	ECO 2299	10-21-99	PJG
	J	ECO 2363	3-4-00	PJG
	K	ECO 2464	8-3-00	REM
	L	ECO 3072	12-7-01	MJM
	M	ECO 3141	2-11-02	MJM
	N	ECO 3239	4-5-02	MJM
	P	ECO 4627	10-12-06	ZMK



NOTES: (UNLESS OTHERWISE SPECIFIED)

- OPERATING CONDITIONS:
VOLTAGE - 15 KVDC
MAXIMUM CURRENT - 7.5 AMPS
ALTITUDE - SEA LEVEL TO 70,000 FT.
TEMPERATURE - -55°C TO +125°C.
- TEST CONDITIONS:
DIELECTRIC WITHSTANDING VOLTAGE - 15 KVDC AT ALTITUDE AND TEMPERATURE EXTREMES, 20 KVDC AT SEA LEVEL - AMBIENT CONDITIONS.
- MATERIALS AND FINISHES:
MOLDED PLUG BODY - SILICONE RUBBER PER ZZ-R-765.
CONTACT, SOCKET - MEETS APPLICABLE PORTIONS OF MIL-C-39029.
WIRE - #20 (19/32) TPC, 25 KVDC, SILICONE, INSULATED WIRE.
WIRE (-20 & -22 ONLY) - #22 (19/34) SPC, 25 KVDC, SEMICON, WITH SILICONE INSULATED.
- MATES WITH CONNECTRONICS P/N 10047, OR EQUIVALENT.
- INK STAMP, PURPLE, IN .06 CHARACTERS:
CONNECTRONICS CORP.
OLE36-10048-XX, DATE CODE

UNLESS OTHERWISE SPECIFIED DIMENSIONS ARE IN INCHES
TOLERANCES ARE:
FRACTIONS DECIMALS ANGLES
+/- .010 +/- .005 +/- .1°

MATERIAL	SEE NOTE 3
FINISH	SEE NOTE 3
NEXT ASSY	USED ON
APPLICATION	DO NOT SCALE DRAWING

1	10048-99	CABLE PREPARATION	2
	PART NO.	DESCRIPTION	DET. NO.
QTY. REQ'D.	BILL OF MATERIAL		
CONTRACT NO.		 2745 Avondale; Toledo, Oh 43607	
APPROVALS	DATE	TITLE	
DRAWN D.B.P.	6-19-91	PLUG ASSEMBLY, RIGHT ANGLE, SCID SERIES	
CHECKED AM	7-1-91		
UNLESS OTHERWISE SPECIFIED ALL DIMENSIONS SHOWN ARE BEFORE PLATE DIMENSIONS		SIZE	CODE IDENT NO
		C	ØLE36
		DRAWING NO.	10048
SCALE 2X	VOL. XXXXX	SHEET 1 OF 1	

ORIGINAL

4

3

2

1