

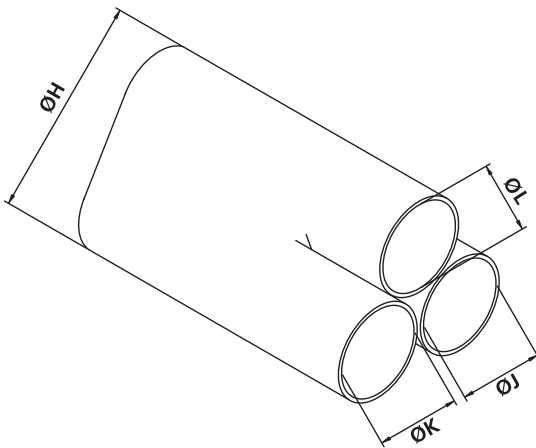
Low Profile Transition Boots

- Helashrink 573H Series, 1 to 3 cables

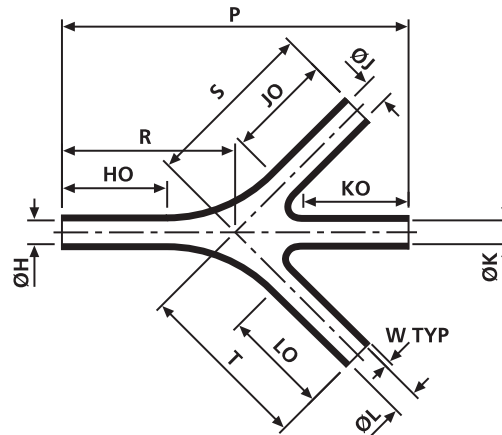
This style provides strain relief, sealing and mechanical protection on cable harness breakouts or transitions.



573H532-535 Series supplied / fully recovered.



a: Expanded form (supplied)



b: Fully recovered form (after heating)

Sizes and Type Table

Type	ØH min. a	ØH max. b	ØJ/K/L min. a	ØJ/K/L max. b	P nom	R/S/T nom	W nom	HO/JO/KO/LO ± 15%
573H532	19.8	6.6	13.2	6.6	85.8	42.9	1.0	25.4
573H533	34.2	11.4	20.5	11.4	135.6	67.8	1.3	41.1
573H534	60.1	20.0	36.0	20.0	207.2	103.6	1.5	63.5
573H535	99.8	33.2	54.8	33.2	294.6	147.3	1.7	88.9

All dimensions in mm. Subject to technical changes.

Combinations "On request"

Adhesive	Material		
	9	8	6
TSA-200	√	√	√
WM250	√	√	√
W8	√	√	√
V9500	√	√	√
HMT200A	√	√	√
Without Adhesive	√	√	√

Standard combinations

Article-No.	Type
422-60000	573H532-9
422-60100	573H533-9
422-60202	573H534-9
422-60302	573H535-9