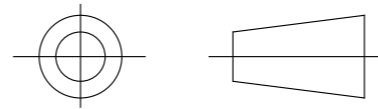


DRAWING No.
152265

SHT. 1
OF
SHTS.

© THE COPYRIGHT OF THIS DRAWING IS RESERVED BY HELLERMANN TYTON. IT IS ISSUED ON CONDITION THAT IT IS NOT COPIED, REPRODUCED OR DISCLOSED TO A THIRD PARTY EITHER WHOLLY OR IN PART WITHOUT THE CONSENT IN WRITING OF HELLERMANN TYTON.

THIRD ANGLE PROJECTION

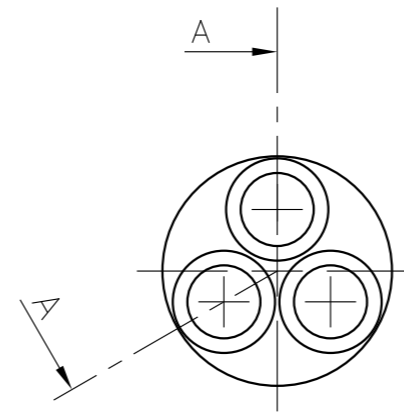
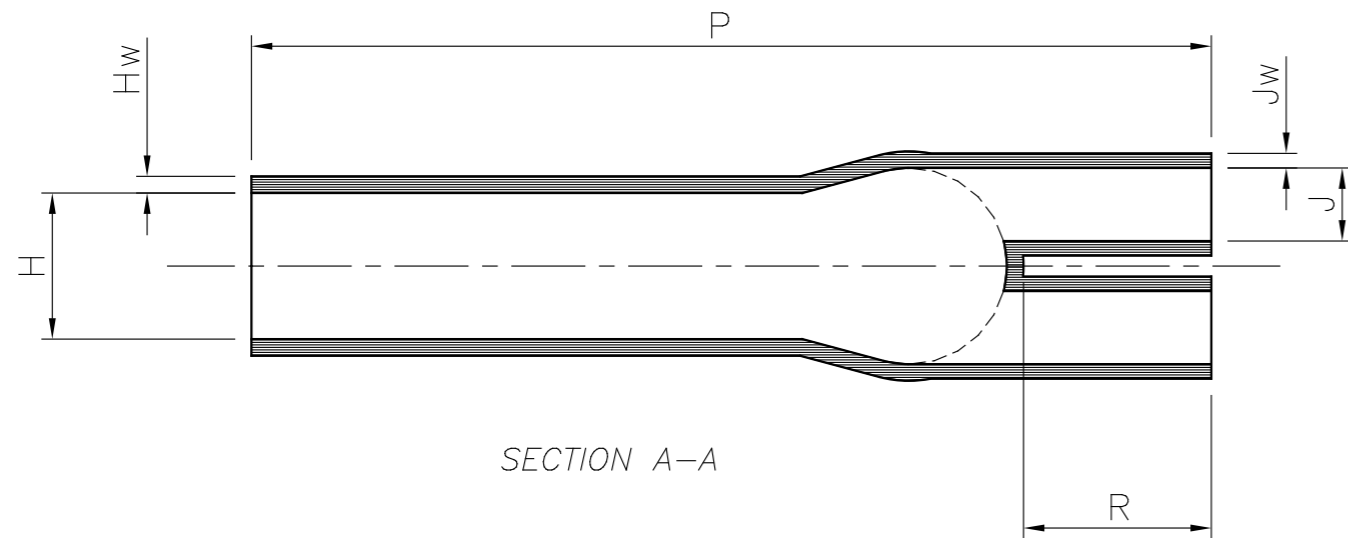


BS 8888

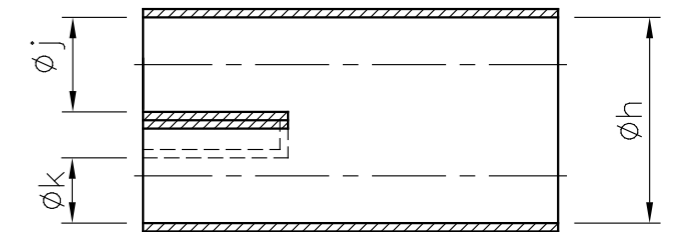
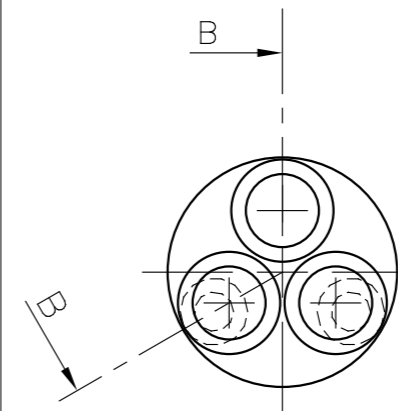
DO NOT SCALE
IF IN DOUBT ASK

Q.A.	H/S SETT
H/S Q.A.	REL. INSP.
H/S PROD	EXT. ISS. CODE 2

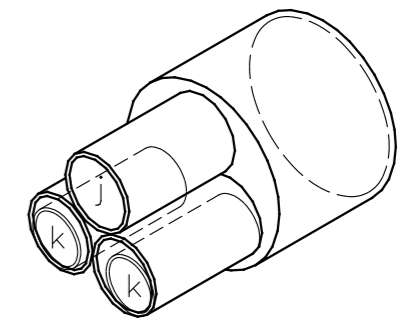
STANDARD PART (AFTER UNRESTRICTED RECOVERY)



EXPANDED (AS SUPPLIED)



SECTION B-B



328-5 EXPANSION SHOWN DOTTED

3M	NAVSEA	PART NO.	EXPANDED DIMENSIONS (AS SUPPLIED)			RECOVERED DIAMETERS		RECOVERED DIMENSIONS			
			ϕ_h	ϕ_j	ϕ_k	ϕ_H	ϕ_J	P	R	Hw	Jw
			MIN	MIN	MIN	MAX	MAX	±10%	±10%	±20%	±20%
HDBB 325	1A62-8	328-2	44.0 (1.73)	21.0 (0.83)	-	22.86 (0.90)	7.62 (0.30)	99.0 (3.90)	34.0 (1.34)	3.81 (0.15)	3.81 (0.15)
-	-	328-5	32.2 (1.27)	18.5 (0.73)	12.0 (0.47)	22.86 (0.90)	7.62 (0.30)	99.0 (3.90)	34.0 (1.34)	3.81 (0.15)	3.81 (0.15)

HellermannTyton

William Prance Road,
Plymouth International Med. & Tech. Park,
Plymouth, PL6 5WR
Tel ++44 (0) 1752 701261
Fax ++44 (0) 1752 790058

NAME **Chrism** SCALE **NTS**
DATE **25/01/2013** DIMS IN **mm.**
TITLE **3 WAY OUTLET SLEEVE**

ADHESIVE
A3
ORIGINAL SHEET SIZE
420mm x 297mm
SHT. 1
OF
SHTS.
PART No. **328**
DRAWING No. **152265**

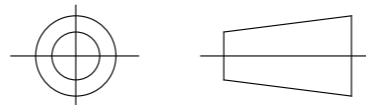
1	P1406	CM	28/01/13
ISSUE	NOTE No.	DRAWN	DATE

DRAWING No.
152265

SHT. 1
OF
SHTS.

© THE COPYRIGHT OF THIS DRAWING IS RESERVED BY HELLERMANN TYTON. IT IS ISSUED ON CONDITION THAT IT IS NOT COPIED, REPRODUCED OR DISCLOSED TO A THIRD PARTY EITHER WHOLLY OR IN PART WITHOUT THE CONSENT IN WRITING OF HELLERMANN TYTON.

THIRD ANGLE PROJECTION

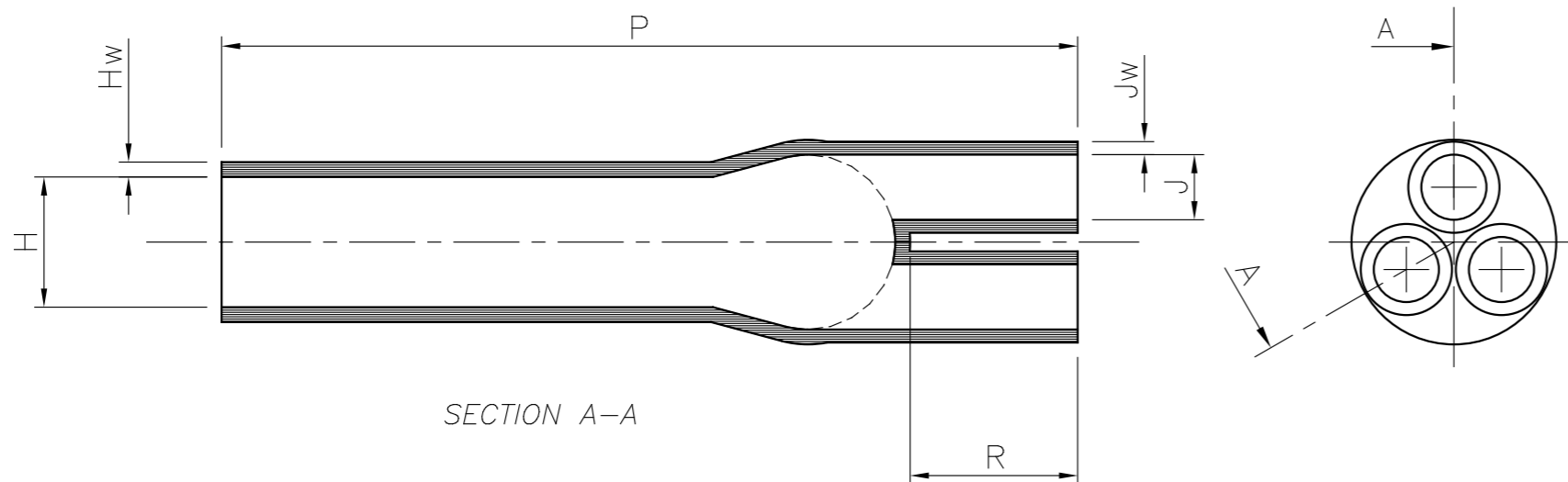


BS 8888

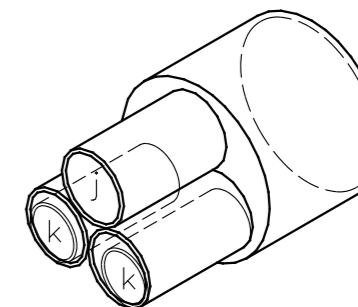
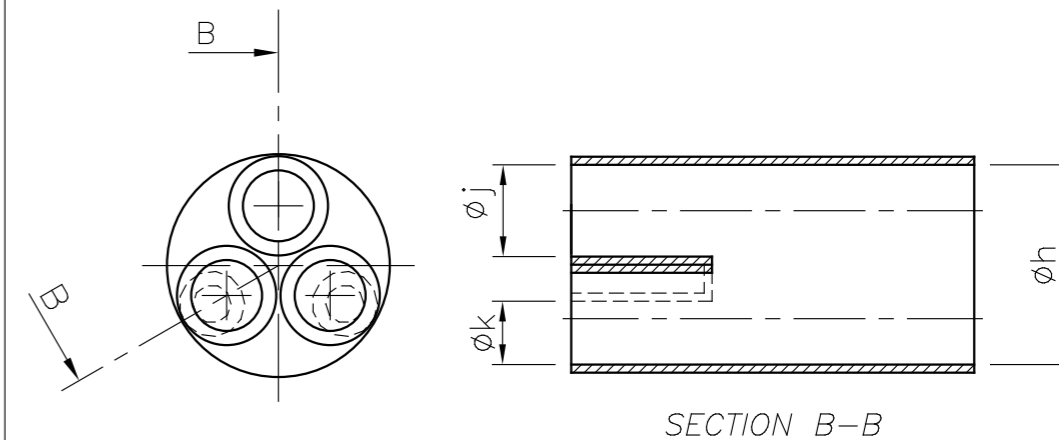
DO NOT SCALE
IF IN DOUBT ASK

Q.A.	H/S SETT
H/S Q.A.	REL. INSP.
H/S PROD	EXT.ISS.CODE 2

STANDARD PART (AFTER UNRESTRICTED RECOVERY)



EXPANDED (AS SUPPLIED)



328-5 EXPANSION SHOWN DOTTED

3M	NAVSEA	PART NO.	EXPANDED DIMENSIONS (AS SUPPLIED)			RECOVERED DIAMETERS		RECOVERED DIMENSIONS			
			phi_h	phi_j	phi_k	phi_H	phi_J	P	R	Hw	Jw
			MIN	MIN	MIN	MAX	MAX	±10%	±10%	±20%	±20%
HDBB 325	1A62-8	328-2	44.0 (1.73)	21.0 (0.83)	-	22.86 (0.90)	7.62 (0.30)	99.0 (3.90)	34.0 (1.34)	3.81 (0.15)	3.81 (0.15)
-	-	328-5	32.2 (1.27)	18.5 (0.73)	12.0 (0.47)	22.86 (0.90)	7.62 (0.30)	99.0 (3.90)	34.0 (1.34)	3.81 (0.15)	3.81 (0.15)

HellermannTyton

William Prance Road,
Plymouth International Med. & Tech. Park,
Plymouth, PL6 5WR
Tel ++44 (0) 1752 701261
Fax ++44 (0) 1752 790058

NAME	Chrism	SCALE	NTS	ADHESIVE	A3	SHT. 1
DATE	25/01/2013	DIMS IN	mm.		ORIGINAL SHEET SIZE 420mm x 297mm	OF
TITLE	3 WAY OUTLET SLEEVE		PART No.	328	DRAWING No.	152265
ISSUE	NOTE No.	DRAWN	DATE			SHTS.

1	P1406	CM	28/01/13
ISSUE	NOTE No.	DRAWN	DATE