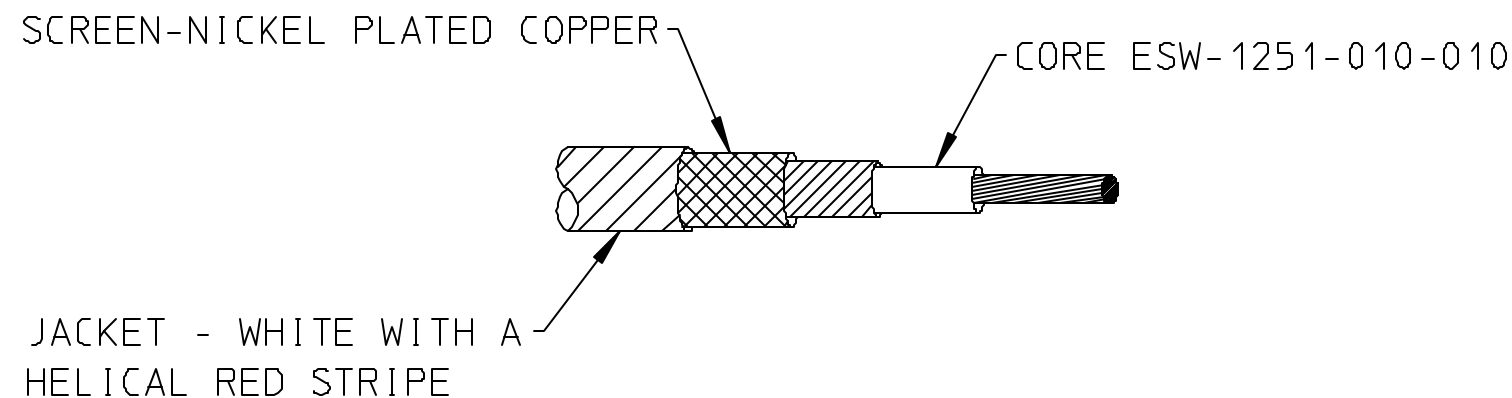


NOTICE TO ALL PERSONS RECEIVING THIS DRAWING

THIS DRAWING IS ONLY CONDITIONALLY ISSUED, AND NEITHER RECEIPT NOR POSSESSION THEREOF CONFERS OR TRANSFERS ANY RIGHT IN, OR LICENSE TO USE THE SUBJECT MATTER OF THE DRAWING OR ANY DESIGN OR TECHNICAL INFORMATION SHOWN THEREON NOR ANY RIGHT TO REPRODUCE THIS DRAWING OR ANY PART THEREOF EXCEPT FOR MANUFACTURE BY VENDORS FOR HARCO LABORATORIES INC AND FOR MANUFACTURE UNDER THE CORPORATION'S WRITTEN LICENSE NO RIGHT TO REPRODUCE THIS DRAWING IS GRANTED UNLESS BY WRITTEN AGREEMENT WITH OR WRITTEN PERMISSION FROM HARCO LABORATORIES INC

ECP	ECR	REL DATE	REV. LET.	REVISION	REV. BY	CHK BY	APPROVED BY		
							ENG	M.E.	QA
		4-21-08	-	DCRA 28964-000-, INITIAL RELEASE	RFP	RFP	RCG	MCJ	JSP



DESCRIPTION:

CONDUCTOR - 010 EUROPEAN ASSOCIATION OF AEROSPACE INDUSTRIES NICKEL PLATED COPPER ALLOY

INSULATION - FIREPROOF INSULATION

SECOND INSULATION - SINTERED PTFE TAPE (.070 OD)

BRAID - NPC

JACKET - WHITE WITH RED HELICAL STRIPE SINTERED PTFE TAPE WRAP (.120 OD)

WIRE MUST BE PURCHASED FROM ROLLS ROYCE APPROVED SOURCE BELDEN, UK DISTRIBUTOR DAX INTERNATIONAL

HARCO P/N	ROLLS ROYCE P/N
28964-000	ESW-1253-012-010

SPECIFICATION CONTROL DRAWING

UNLESS OTHERWISE SPECIFIED, DIMENSIONS ARE IN INCHES TOLERANCES ARE: DECIMALS ±.010 FRACTIONS ±1/32 ANGLES ±2° ALL DIAMETERS $\text{Ⓢ} \pm 0.010$ BREAK EDGES 005-.020 FILLETS TO BE 005-.020 SURFACE FINISH 125 ✓	APPROVALS		DATE	Laboratories, Inc. BRANFORD, CT 06405-0010 TITLE WIRE, 1 COND, ELECT, ESW-1253-012-010
	DRAWN	RFP	4-16-08	
	CHECKED	RFP	4-16-08	
	ENGR	-		
	DE	RCG	4-18-08	SIZE CAGE CODE DRAWING NO. REV. B 00060 28964-000 -
	M.E.	MCJ	4-18-08	
	QA	JSP	4-18-08	SCALE NONE SHEET 1 OF 1
MATERIAL SPEC	FINISH SPEC		PREPARED UNDER CONTRACT	FURNISHED UNDER CONTRACT