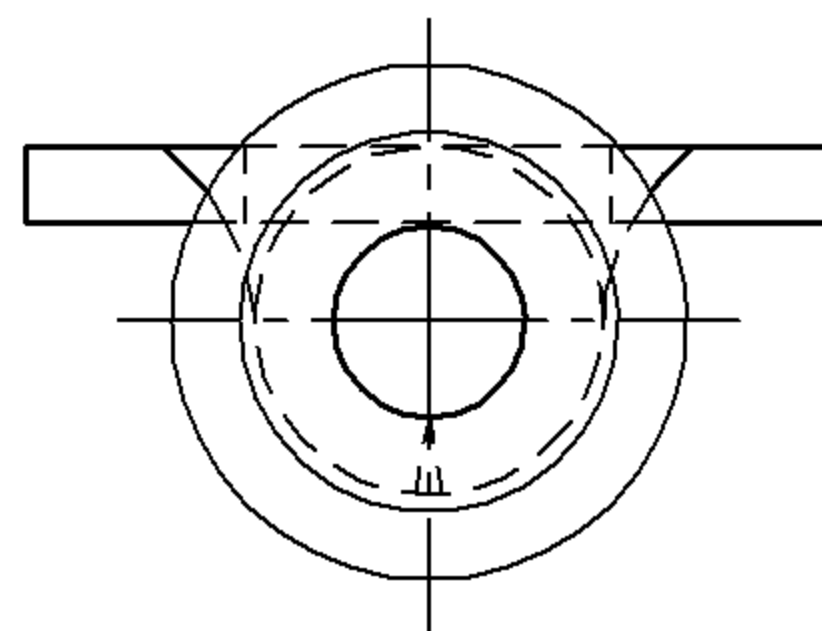
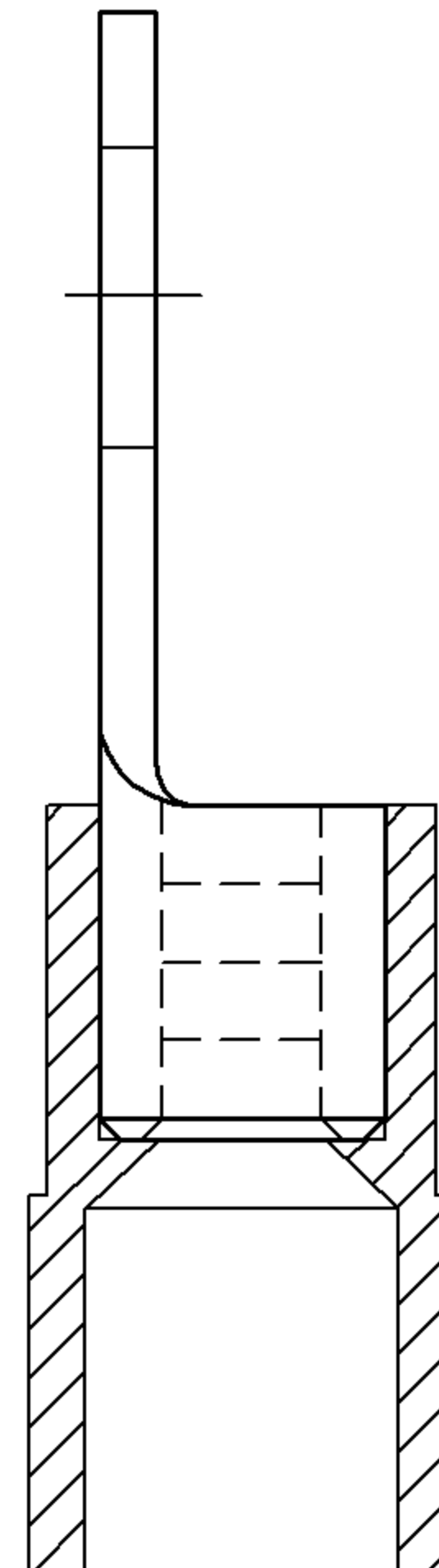
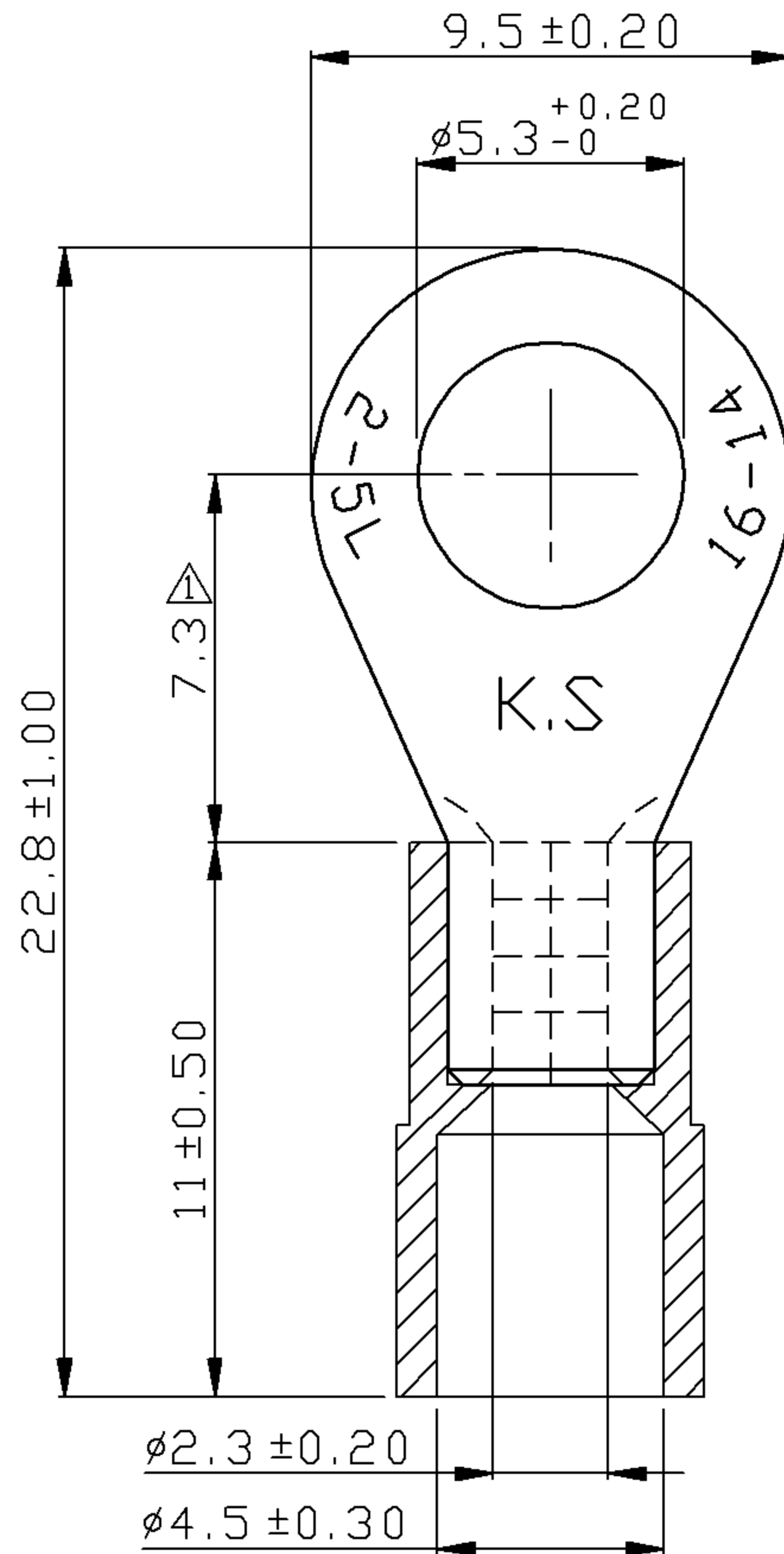


REV	DESCRIPTION	DATE
△	RDK-97127	謝宛如 2009/09/17
△	RDK-98020	謝宛如 2009/09/17



NOTE:

- MAXIMUM ELECTRIC CURRENT :

A.W.G.	16	14	
AMP.	18	30	
- MAXIMUM ELECTRICAL RATING : 105°C 600 VOLTS MAX.
- INSULATION MATERIAL : NYLON
- INSULATION COLOR : BLUE
- TERMINAL MATERIAL : COPPER
- WIRE RANGE : 16-14 A.W.G.(1.5-2.5mm²)
- TERMINAL SURFACE TREATMENT : TIN PLATED
- TERMINAL THICKNESS : 0.8 mm

△	Tolerance Unless		
□	Otherwise Specified		
0 >	mm ±	ANGLE	
>	mm ±	0°	° REF ±
>	mm ±	°	° ±
>	mm ±	°	° ±

NAME	NYLON-INSULATED RING TERMINALS				UNIT	mm	
PART NO.	RNYL2-5	MATERIAL	-----	APPROVE			
NUMBER	KA-951050-C	SCALE	SHEET	PAGE	CHECKED		
DATE	2006/08/08	4/1	1-2	10F2	DRAWN	張馨尹	

KST. K.S. TERMINALS INC.