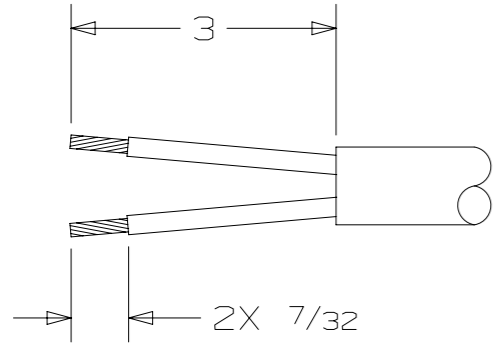
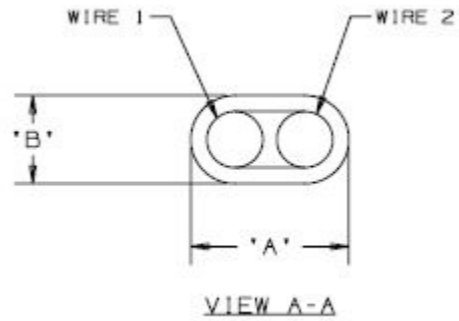
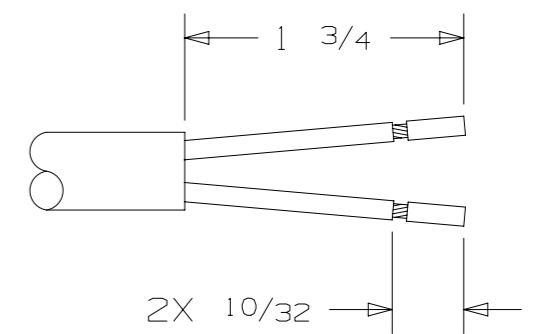


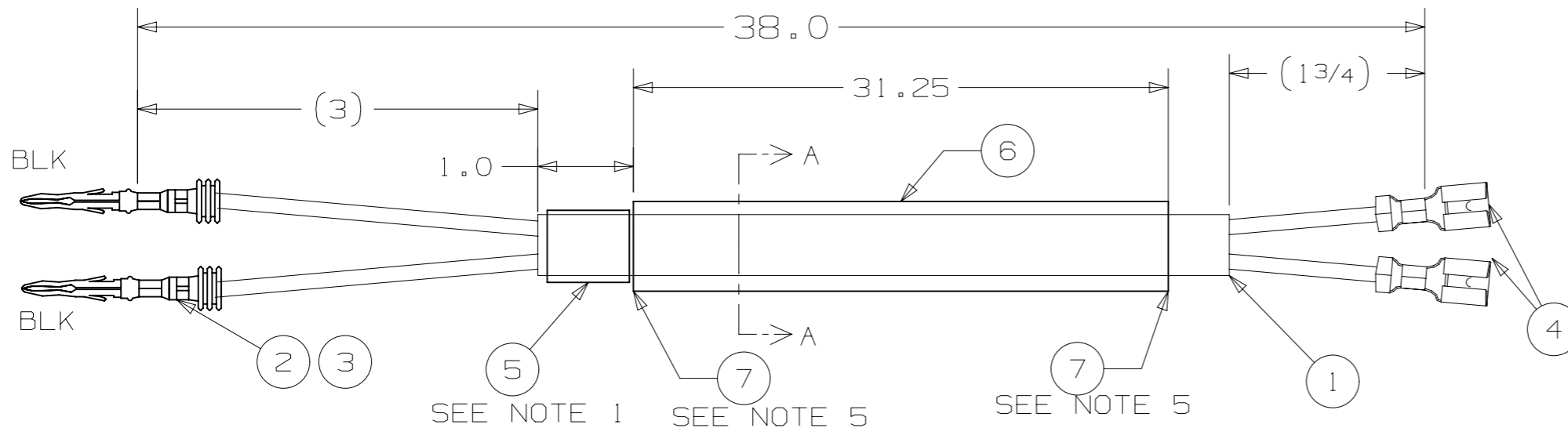
STRIPPING DETAIL



STRIPPING DETAIL



CABLE SIZE
 A = 0.250 ± 0.020"
 B = 0.150 ± 0.015"



7	TAPE-CLOTH, BLACK	A/R
6	BRAID-1/4" BLACK, 31.25 IN LONG	1
5	LABEL - ADHESIVE, LAMINATED LABEL	1
4	TERMINAL-AMP - 42400-1, 18-14GA	2
3	SEAL-DELPHI 15324982/12015284, GREEN	2
2	TERMINAL-DELPHI 12124582, 16GA	2
1	CABLE-FLAT 2 COND, 16GA GXL, BLK/BLK	38.0 in
ITEM	DESCRIPTION	QTY

**For weight tolerance see Engineering Spec. 15E55001.
 ***For Metric Conversions contact Truck-Lite Engineering.

NOTES:

- ADHESIVE, LAMINATED LABEL TO BE PLACED AS SHOWN. LABEL TO CONTAIN THE PART NUMBER AND DATE/LOT CODE.
- ALL PARTS TO BE TESTED FOR CONTINUITY.
- PARTS TO BE PACKAGED IN BUNDLES OF 20 WITH TWIST-TIES.
- PARTS MUST BE RoHS COMPLIANT.
- PLACE BRAID OVER HARNESS AND TAPE BOTH ENDS SO BRAID CANNOT SLIDE.

3	10-14-16	ADDED BRAID FOR PROTECTION, CHANGED WIRE COLOR TO BLACK, 4316A WAS 4316	41472A	TNH	*CCW
X1	10-14-16	RELEASED FOR PPAP	41472A	TNH	*CCW
2	6-16-16	ADDED PACKAGING INFO UPDATED CABLE SIZE	41472A	BMW	*TNH
1	2-11-16	REMOVED CONNECTOR, ADDED 8 INCHES TO HARNESS, ADDED LABEL	41472A	TNH	SJL
0	1-5-16	RELEASE	41472A	NSK	SJL
B	12-7-15	REVISED AFTER PRINT REVIEW ADDED A-A SECTION LINE	41472A	NSK	*CCW
A	11-9-15	PRELIMINARY	41472A	NSK	*CCW
REV	DATE	DESCRIPTION	ECN	DWN	APVD

REVISION HISTORY

CONFIDENTIAL AND PROPRIETARY INFORMATION
 THIS DRAWING CONTAINS CONFIDENTIAL PROPRIETARY INFORMATION OWNED BY TRUCK-LITE CO., LLC AND IS SUBJECT TO RETURN UPON REQUEST. THE FURNISHING OF THIS DRAWING IS NOT TO BE CONSTRUED AS THE GRANT OF ANY LICENSE, EITHER EXPRESSED OR IMPLIED, TO MANUFACTURE, HAVE MANUFACTURED, USE OR SELL THE STRUCTURES SHOWN HEREON.
 TO THE EXTENT THE PRODUCTS IDENTIFIED CONTAIN GOLD (AU), TANTALUM (TA), TUNGSTEN (W) AND TIN (SN) OR DERIVATIVE, NO PRODUCT WILL CONTAIN CONFLICT MINERALS (AS DEFINED IN THE U.S. DODD-FRANKWALL STREET REFORM AND CONSUMER PROTECTION ACT 1502), SOURCED FROM AREAS IDENTIFIED AS CONFLICT REGIONS.
 COMPONENTS MAY CONTAIN ONLY THE SPECIFIED MATERIAL. MATERIAL CHANGES AND/OR SUBSTITUTIONS ARE STRICTLY PROHIBITED WITHOUT THE EXPRESS WRITTEN CONSENT OF TRUCK-LITE CO., LLC. THE PRESENCE OF CONTAMINANTS (INCLUDING, BUT NOT LIMITED TO: LUBRICANTS, CLEANING AGENTS, RELEASE AGENTS, OR OTHER FOREIGN SUBSTANCES OR RESIDUES) IS STRICTLY PROHIBITED WITHOUT EXPRESS WRITTEN CONSENT OF TRUCK-LITE CO., LLC.

REFERENCE DRW. NO.	THIRD ANGLE PROJECTION	DIMENSIONS ARE: INCHES STRIP LENGTH TOL.: ±1/32 CUT LENGTH: TOLERANCE: 0 to less than 37 ±1/4 37 to less than 61 ±1/2 61 to less than 121 ±1 121 to --- ±2
-		
CUST./SUPPLIER PART NO.	CAD DATA SOURCE UNIGRAPHICS	
-		



TRUCK-LITE CO., LLC
 FALCONER, NEW YORK USA

S/A-HARN, 38N AUX HEATER

SCALE:	MOLD/TOOL NO.:	PART NO.:	DRW. NO.:
NTS	-	4316A	68596B3

PURCHASED NUMBER	PART WEIGHT (LB)	PACKAGE	WIDTH (IN)	DEPTH (IN)	HEIGHT (IN)	QTY.	CASES PER PALLET	C.O.O.	LOT DATA
4316*	.107	CASE	14.000	18.000	10.000	100	18	US	N