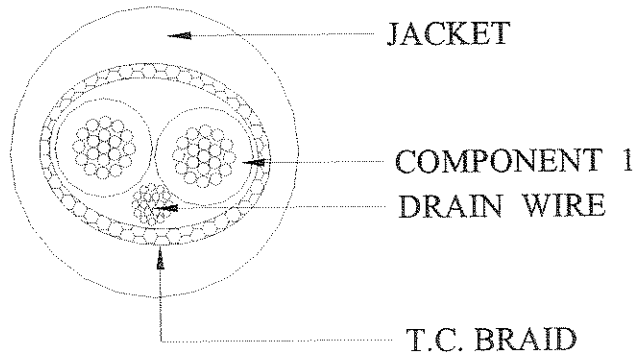


PRODUCT SPECIFICATION DRAWING

Proprietary Information not to be reproduced

Product Title: 2/C 16 AWG, EXANE-15, T. C. BRAID + 22 AWG DRAIN WIRE,
EXANE JACKET, 600V 125°C



CONSTRUCTION:			NOMINAL DIAMETER	
			(Inches)	(mm)
1.0	COMPONENT 1:	2 REQUIRED		
1.1	Conductor:	16 AWG (19/#29) Tinned Copper	0.054	1.372
1.2	Insulation:	Dual Layer, Irradiation Cross-linked Polyolefin, Exane and Modified Fluoropolymer (Exane-15) Nominal .015 inches wall thickness	0.084	2.134
1.3	Color Code:	Gray + White		
2.0	CABLE:			
2.1	1st Layer:	(2) Components 1 Twisted together with 22 AWG (7/#30) Drain Wire with a 2.50" Nom. Left Hand Lay.	0.168	4.267
2.2	Filler(s):	None		
3.0	BRAID SHIELD:	38 AWG Tinned Copper, 85% Minimum Coverage in direct contact with the 22 AWG (7/#30) Drain Wire.	0.186	4.724
4.0	JACKET:	Dark Gray, Irradiation Cross-linked Polyolefin, Exane Nominal Wall Thickness .030 inches Maximum Diameter	0.250 0.260	6.350 6.604
5.0	PRINT:	Jacket will be printed with Black ink as follows: "ROCKBESTOS SURPRENANT TD-005117 EXANE-15 2/C 16 AWG SHLD 600V 125°C" "(YR)"		
8.0	FLAME:	Passes the flame test requirements of 49 Code of Federal Regulations (49CFR) Part 238, Appendix B, in accordance with NEMA WC 3/ICEA S-19-81, paragraph 6.19.6.		

PRODUCT SPECIFICATION DRAWING

Proprietary Information not to be reproduced

Product Title: **2/C 16 AWG, EXANE-15 , T. C. BRAID + 22 AWG DRAIN WIRE,
EXANE JACKET, 600V 125°C**

9.0 **SMOKE:** Passes the smoke test requirements of 49 Code of Federal Regulations (49CFR) Part 238, Appendix B, in accordance with ASTM E662-97:

Flaming D_s (4.0 minutes) [200

Non-Flaming D_s (4.0 minutes) [75

10.0 **TOXICITY:** Passes the toxicity requirements when tested in accordance with Boeing Specification Support Standard, BSS-7239, for both the flaming & Non-flaming modes, as detailed in the table below:

Chemical	Requirement (ppm), Max.
Carbon Dioxide	90000
Carbon Monoxide	3500
Hydrogen Fluoride	200
Hydrochloric Acid	500
Nitrous Fumes (NO & NO ₂)	100
Sulphur Dioxide	100
Hydrocyanic Acid	150