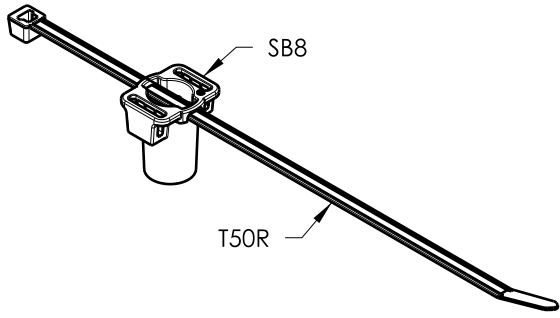
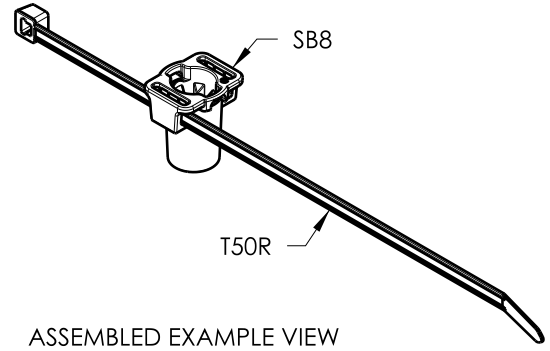


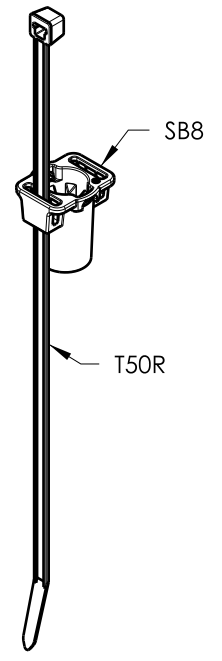
Revision Level			Revision Record	Changed	Date	Approved	Date
Drawing	State	Part					
01.1	Design Release	A	SEE ECN# 013010	KVH	02/11/15	EJH	02/11/15



ASSEMBLED EXAMPLE VIEW  
OPTION 1  
SCALE 1:2

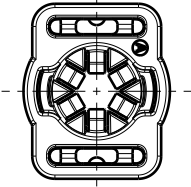


ASSEMBLED EXAMPLE VIEW  
OPTION 2  
SCALE 1:2

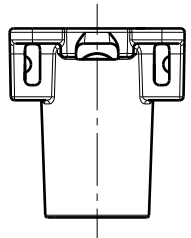
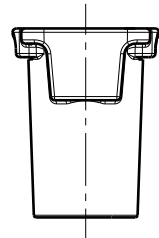
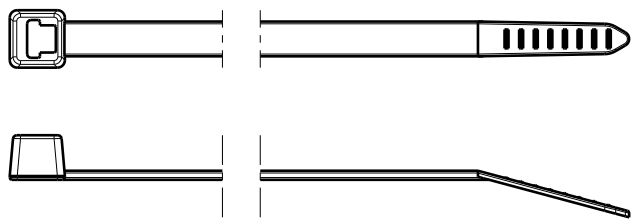


ASSEMBLED EXAMPLE VIEW  
OPTION 3  
SCALE 1:2

SB8  
DELIVERY CONDITION: UNASSEMBLED SET



T50R  
DELIVERY CONDITION: UNASSEMBLED SET



TYPE	BUNDLE RANGE	CABLE TIES		MOUNT	
		DRAWING	MATERIAL	DRAWING	MATERIAL
T50R0SB8-SET	4 TO 50	CT2050007CST	PA66HS	14-0601-001-CSU	PA66HIRHS

Material  
SEE CHART

Units millimeters  
  
Tolerance defined on each dimension

The copyright of this drawing is reserved by HellermannTyton. It is issued on condition that it is not reproduced, copied or disclosed to a third party, either wholly or in part, without the consent of HellermannTyton.

Drawn KVH 12/22/14  
Approved EJH 12/22/14

**HellermannTyton**

North America  
Email: corp@htamericas.com  
Web: www.hellermann.tyton.com

Article/Type-No SEE CHART  
Title 8mm STUD MOUNT WITH T50R CABLE TIE  
Drawing-No 01.1 PRODUCTION : Phase  
**14-0601-101-CSU**

Scale 1:1  
Project Number 14-0601  
Format AH  
Sheet 1/1