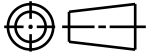
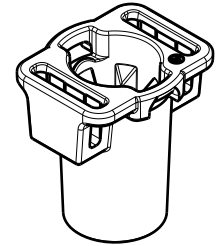
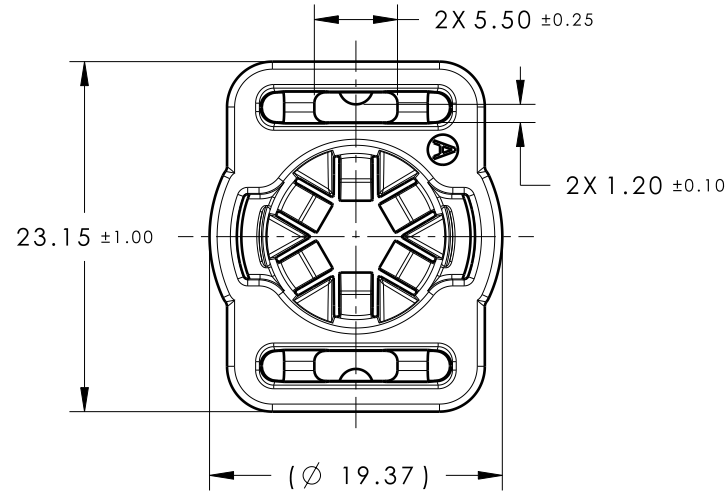


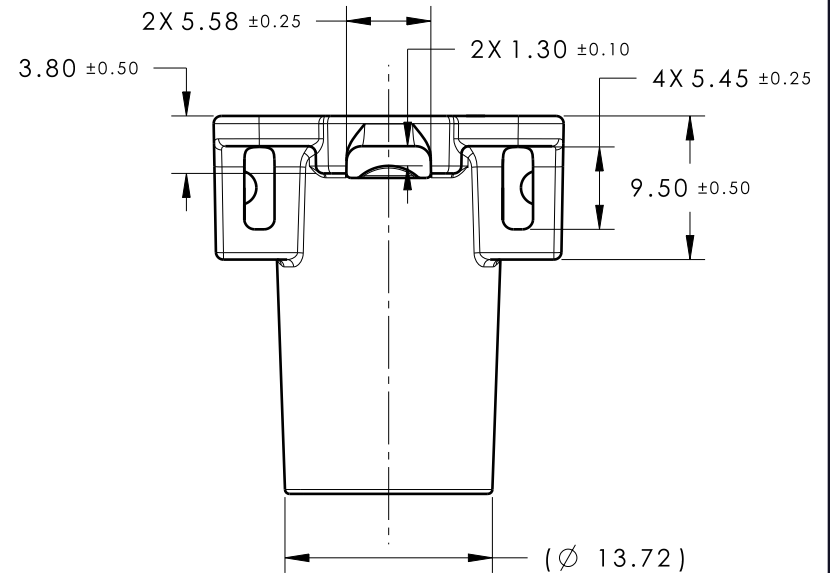
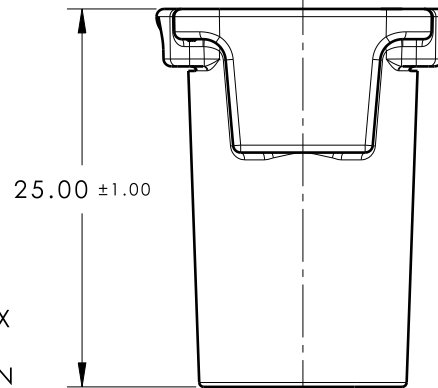
CATIA V5



Revision Level			Revision Record	Changed	Date	Approved	Date
Drawing	State	Part					
00.3	Design Release	A	SEE ECN# 012879	KVH	11/3/14	EJH	11/3/14



ISOMETRIC VIEW
SCALE 1:1



REFERENCE:

1. STUD MOUNT PUSH ON FORCE: 45 NEWTONS (10 LBS) MAX ON EACH APPLICABLE STUD SIZE
2. STUD MOUNT PULL OFF FORCE: 110 NEWTONS (25 LBS) MIN ON EACH APPLICABLE STUD SIZE
3. APPLICABLE STUD SIZE:
A. M8 X 1.25

Material PA66HIRHS COLOR: BLACK	Units	millimeters	The copyright of this drawing is reserved by HellermannTyton. It is issued on condition that it is not reproduced, copied or disclosed to a third party, either wholly or in part, without the consent of HellermannTyton.	Drawn	KVH	5/13/14	Article/Type-No SB8	Scale	2:1	
	Tolerance defined on each dimension	Approved		EJH	11/3/14	Title 8mm STUD MOUNT 25mm LONG		Project Number	14-0601	
		HellermannTyton			Drawing-No		PRODUCTION : Phase	Format	AH	
					North America Email: corp@htamericas.com Web: www.hellermann.tyton.com			14-0601-001-CSU		Sheet