

KEITHLEY INSTRUMENTS, INC.
CLEVELAND 6, OHIO

NO. LU-7

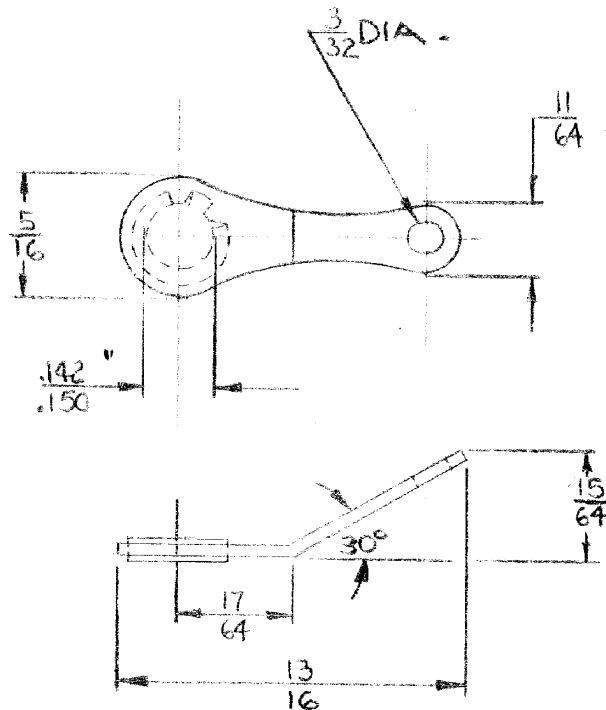
DATE 11-28-61

REV. A

APPR. M

SPECIFICATIONS

LUGS



TYPE SOLDER LUG

MATERIAL .018 THICKNESS

REMARKS TO FIT #6 SCREW

MANUFACTURER

SHAKEPROOF

DESIGNATION

2103-06-00

IN STOCK

U.S.

LU-7