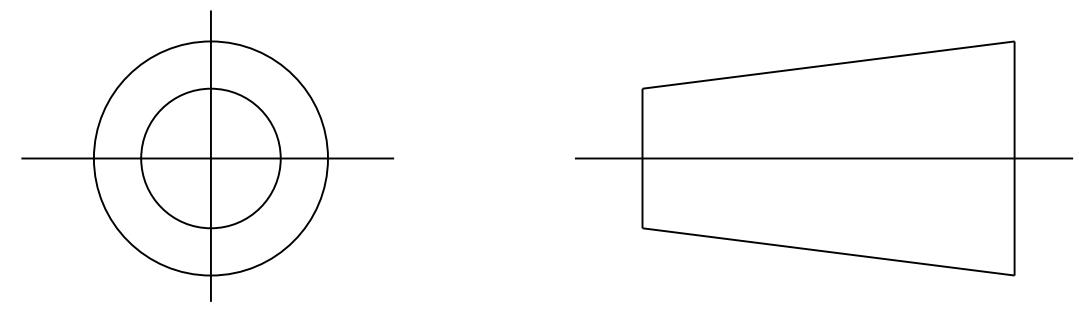


DRAWING No.
152306

SHT. 1
OF
4 SHTS.

© THE COPYRIGHT OF THIS DRAWING IS RESERVED BY HELLERMANN TYTON. IT IS ISSUED ON CONDITION THAT IT IS NOT COPIED, REPRODUCED OR DISCLOSED TO A THIRD PARTY EITHER WHOLLY OR IN PART WITHOUT THE CONSENT IN WRITING OF HELLERMANN TYTON.

THIRD ANGLE PROJECTION



BS 8888

DO NOT SCALE
IF IN DOUBT ASK

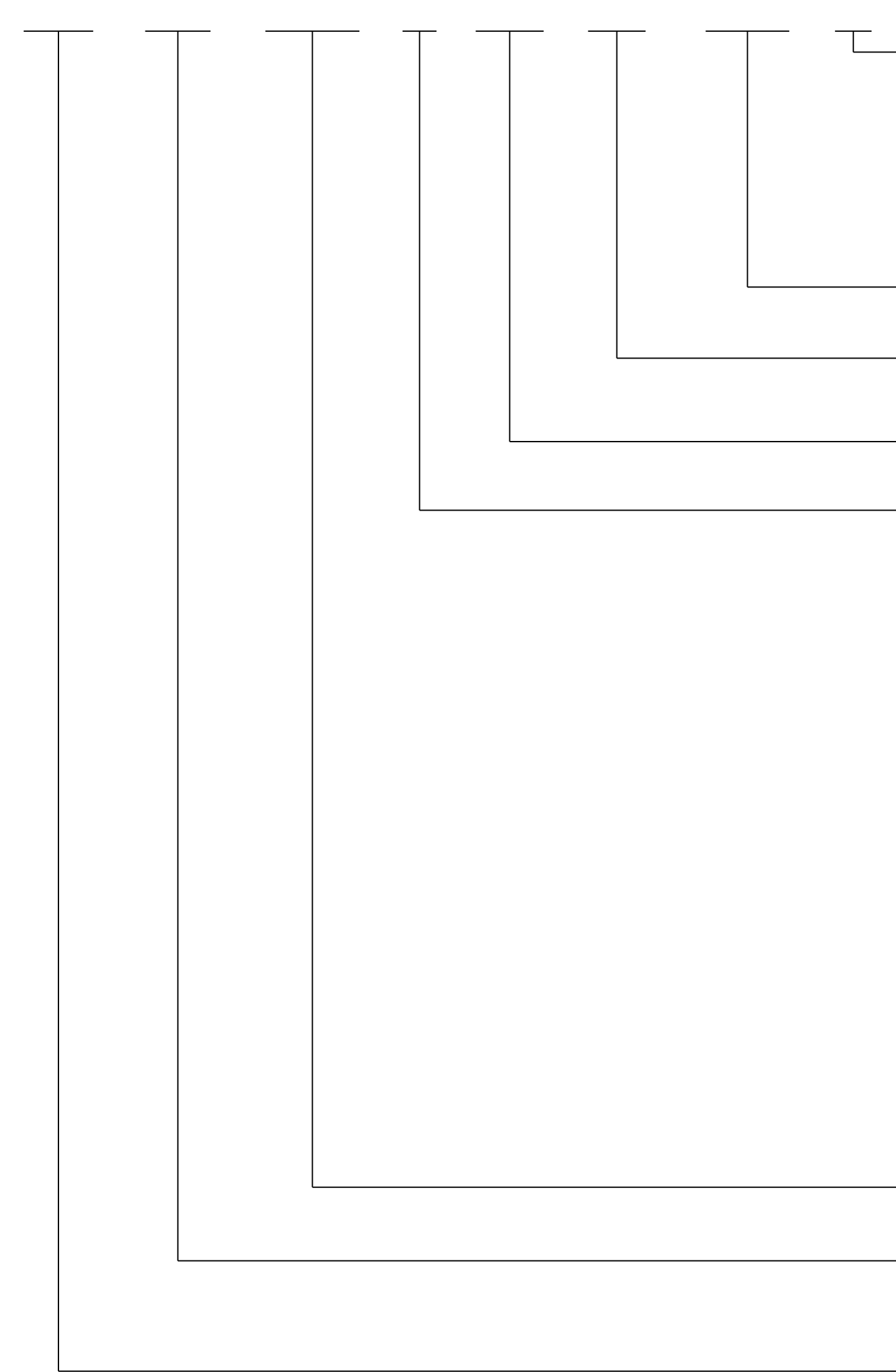
Q.A.	H/S SETT	
H/S Q.A.	REL. INSP.	
H/S PROD	EXT. ISS. CODE	14

NOTES:

1. ASSEMBLY IDENTIFIED PER MIL-STD-130 PART MARKING: PART NUMBER K0720 DATE CODE
2. MATERIAL/FINISH:
ADAPTER COMPONENTS - ALUMINUM SEE TABLE III, SHEET 3.
HARDWARE - SST/PASSIVATED
O-RING - SILICONE/NA
3. SEE SHEET 4, TABLE V FOR COMMON ACCESSORY INTERFACE DATA.
4. FOR SHELL SIZE AND LENGTHS FOR 90° TABLE I, SHEET 2
5. FOR SHELL SIZE AND LENGTHS FOR 90° AND 45° ELBOWS, STYLE II, SEE TABLE IV, SHEET 3
6. FOR STYLE I - 90° AND 45° ELBOWS - IF ENTRY SIZE EXCEEDS RECOMMENDATION (SEE TABLE I, SHEET 2) THEN E, F, G, AND H ENVELOPE DIMENSIONS WILL NOT APPLY (PLEASE CONSULT FACTORY).
7. IF TWO PIECE COMPONENTS ARE REQUIRED, AND IF MAXIMUM RECOMMENDED ENTRY SIZE IS EXCEEDED, A 2 PIECE ADAPTER WILL BE SUPPLIED (ENVELOPE DIMENSIONS WILL NOT APPLY, PLEASE CONSULT FACTORY). IF ONE PIECE STRAIGHT COMPONENTS ARE REQUIRED, REGARDLESS OF WHETHER MAXIMUM RECOMMENDED ENTRY SIZE IS EXCEEDED, SEE TABLE IV, SHEET 3 (SEE TABLE FOR SIZES OFFERED. DIMENSIONS ARE MAXIMUM FOR ALL SERIES, LENGTHS FOR INDIVIDUAL SERIES MAY VARY, AND WILL BE AS SHORT AS POSSIBLE).
8. NOT OFFERED IN NON DETENT SELF LOCKING CONFIGURATION.
9. "A" ACCESSORY THREAD IS LEFT - HANDED.
10. ZETALOK SPRING IS INCLUDED WITH ASSEMBLY.
11. DIMENSIONS ARE MAXIMUM - INDIVIDUAL SERIES MAY VARY, AND WILL BE AS SHORT AS POSSIBLE.
12. ANODIZE FINISH NOT SUITED FOR EMI/RFI SHIELDING OR GROUNDING APPLICATIONS.
13. FINISH CODE "P" IS APPLICABLE TO CORROSION RESISTANCE STEEL BACK SHELLS ONLY.
13. OTHER FINISH CODES AVAILABLE. CONSULT FACTORY FOR CODE IDENTIFIER.
14. CONNECTOR DESIGNATOR F2 IS MOISTURE RESISTANT ONLY.
15. O - RING SUPPLIED ON SERIES DESIGNATORS D1, E1, F2, F5, H1, & X2 ONLY.
16. CONNECTOR SHELL SIZES SHOWN IN () ARE FOR REFERENCE ONLY.
17. METRIC DIMENSIONS SHOWN IN () ARE FOR REFERENCE ONLY.
18. CLEARANCE BETWEEN COUPLING RING AND BARREL NOT TO EXCEED 0.015" DIAMETRICALLY. RETAINING RING (WAVE SPRING) SHALL HAVE A FULLY CLOSED SHIM END. OPEN ENDED SINGLE TURN WAVE SPRINGS ARE NOT ACCEPTABLE.

EXAMPLE PART NUMBER

06 XX 024 S 16 08 CN 6



LENGTH ±0.060 (1.5) ⁷
STYLE I ONLY
(.25 INCH INCREMENTS, 1.25 INCH MIN.
E.G.: 6=1.50 INCH LENGTH)
OMIT IF STRAIGHT (Y - ONE PIECE) IS SELECTED)
FINISH CODE (TABLE III, SHEET 3)
ENTRY SIZE (TABLE I, SHEET 2)
SHELL SIZE (TABLE I, SHEET 2)
CONFIGURATION ANGLE

A = 45° MITER CUT ⁴ ⁵
R = 90° MITER CUT ⁴ ⁵
D = 90° BARREL-IN-BARREL
S = STRAIGHT

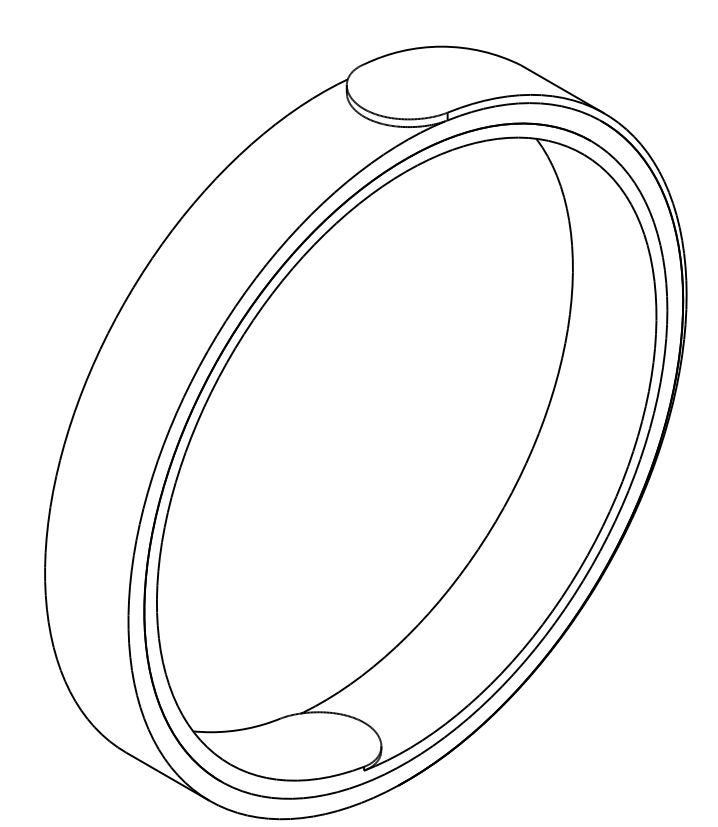
ONE PIECE, UNLESS ENTRY IS EXCEEDED THEN 2 PEICE ADAPTER REQUIRED (SEE TABLE I)

X = 90° ⁵
E = 90° BARREL-IN-BARREL
T = 90° MITER CUT
B = 45° MITER CUT

ONE PIECE (SEE TABLE IV FOR MAX ENTRY AVAILABLE)

Y = STRAIGHT — ONE PIECE (SEE TABLE IV FOR MAX LENGTH)

BASIC PART NUMBER
CONNECTOR DESIGNATOR ³
PRODUCT SERIES



ZETALOK SPRING, SEE NOTE 10

EXPORT CONTROLLED
THESE COMMODITIES, TECHNOLOGY, OR SOFTWARE ARE CONTROLLED BY THE U.S. EXPORT ADMINISTRATION REGULATIONS (EAR). DIVERSION CONTRARY TO U.S. LAW IS PROHIBITED.
ECCN: EAR99

3	P1564	CM	21/02/17
2	P1542	CM	27/07/16
1	P1516	GB	07/09/15
ISSUE	NOTE No.	DRAWN	DATE

HellermannTyton
*William Prance Road,
Plymouth International Med. & Tech. Park,
Plymouth, PL6 5WR
Tel ++44 (0) 1752 701261
Fax ++44 (0) 1752 790058*

NAME	GB	SCALE	NTS
DATE	07/09/15	DIMS IN	in (mm)
TITLE ADAPTER, BANDING SHRINK BOOT ACCOMMODATION, NON DETENT SELF LOCKING			

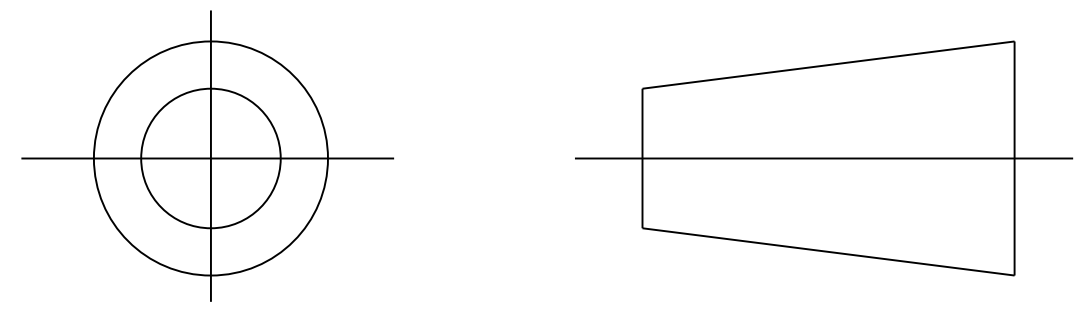
ADHESIVE	A3 ORIGINAL SHEET SIZE 420mm x 297mm	SHT. 1 OF 4 SHTS.
PART No.	BACKSHELLS	DRAWING No. 152306

DRAWING No.
152306

SHT. 2
OF
4 SHTS.

© THE COPYRIGHT OF THIS DRAWING IS RESERVED BY HELLERMANN TYTON. IT IS ISSUED ON CONDITION THAT IT IS NOT COPIED, REPRODUCED OR DISCLOSED TO A THIRD PARTY EITHER WHOLLY OR IN PART WITHOUT THE CONSENT IN WRITING OF HELLERMANN TYTON.

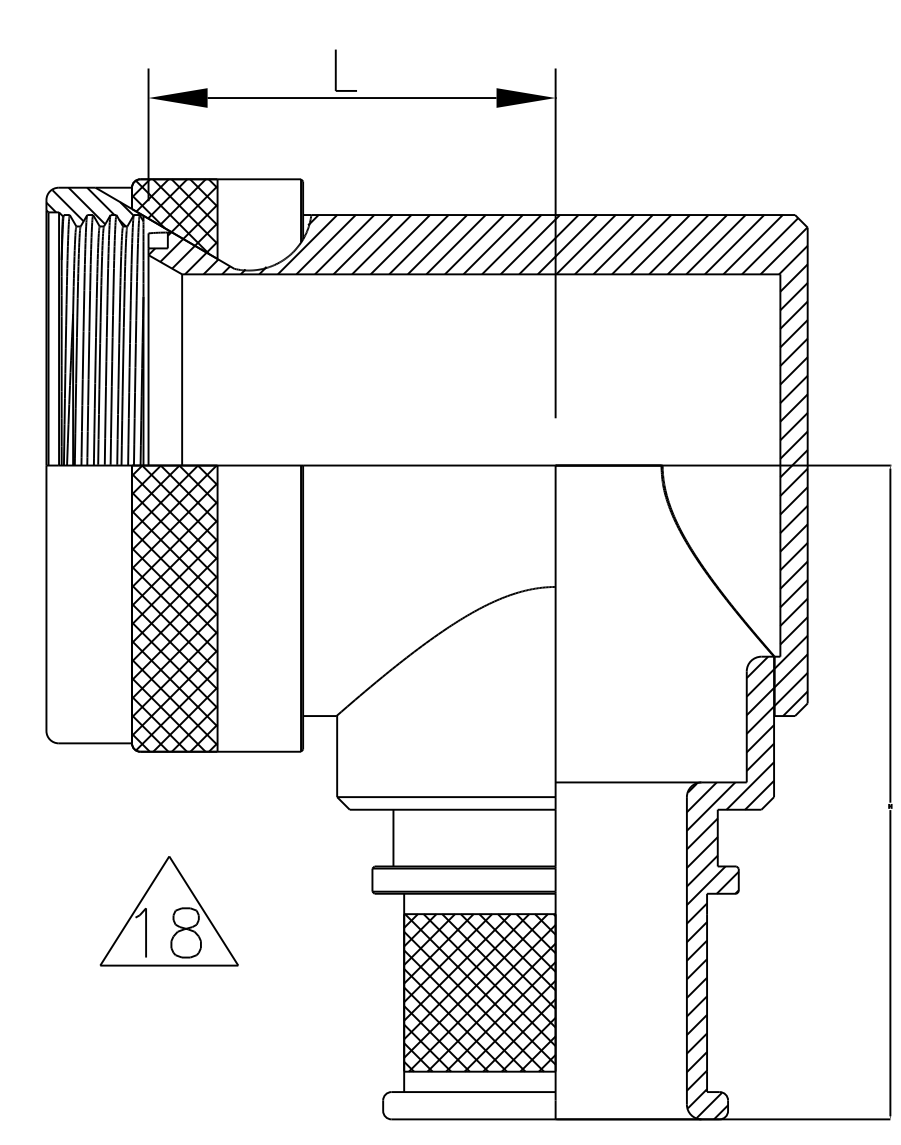
THIRD ANGLE PROJECTION



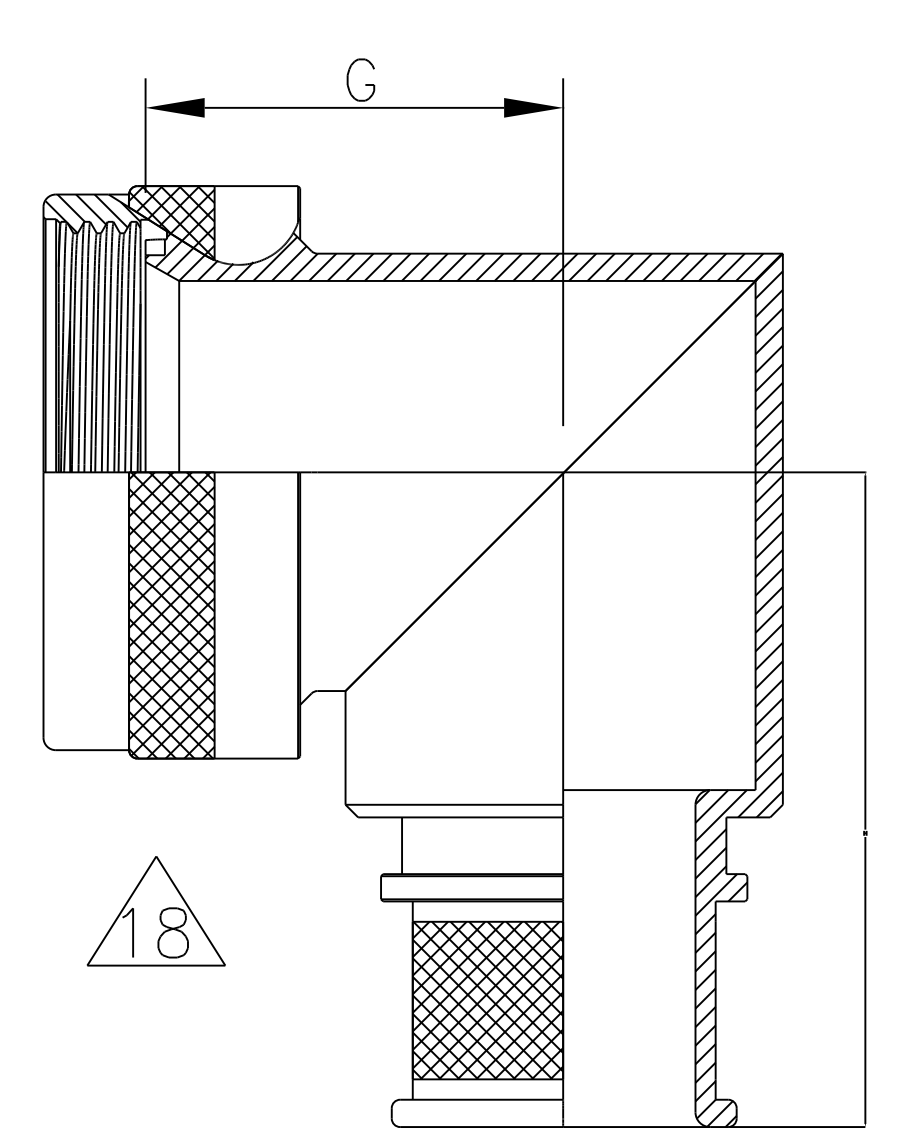
BS 8888

DO NOT SCALE
IF IN DOUBT ASK

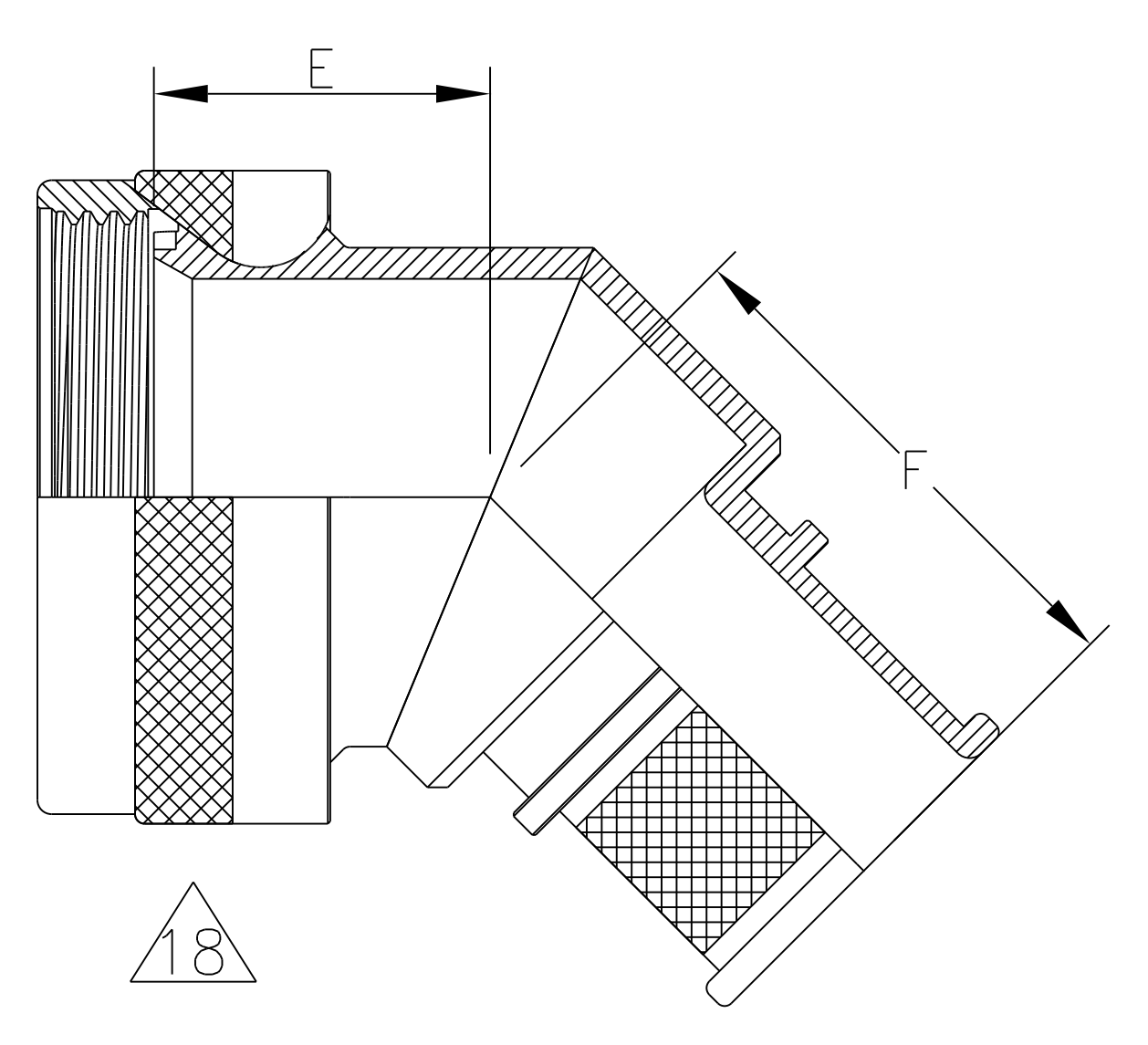
Q.A.	H/S SETT
H/S Q.A.	REL. INSP.
H/S PROD	EXT. ISS. CODE 14



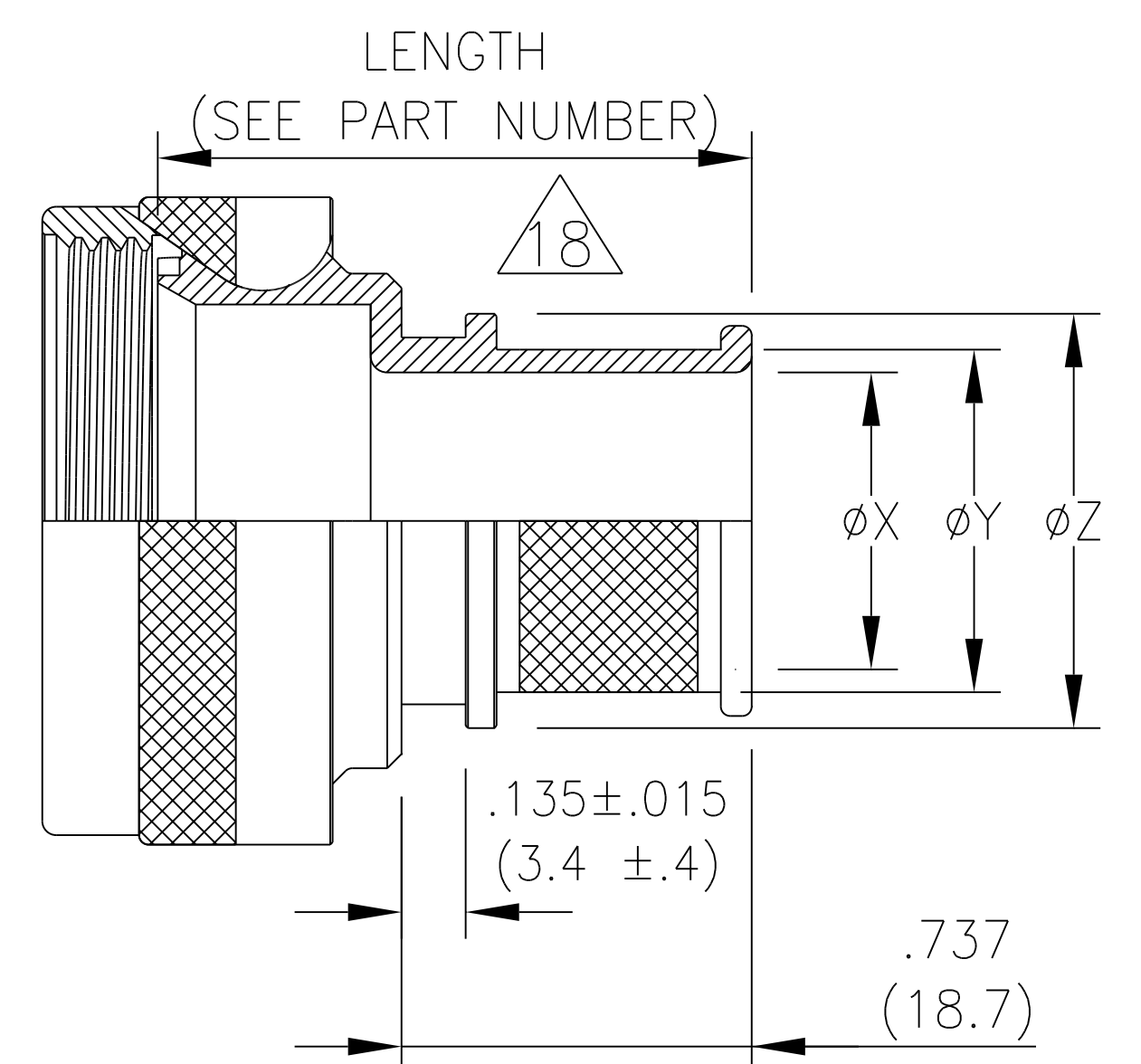
"D" CONFIG.



"R" CONFIG.



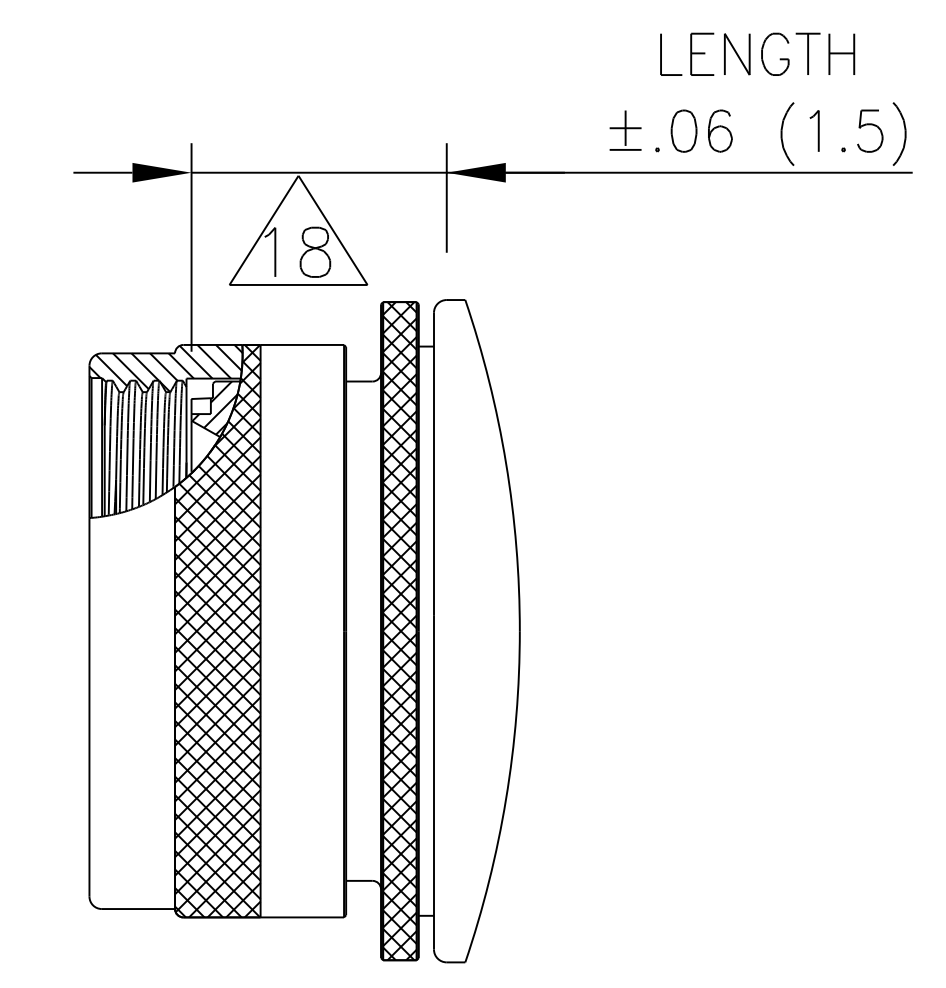
"A" CONFIG.



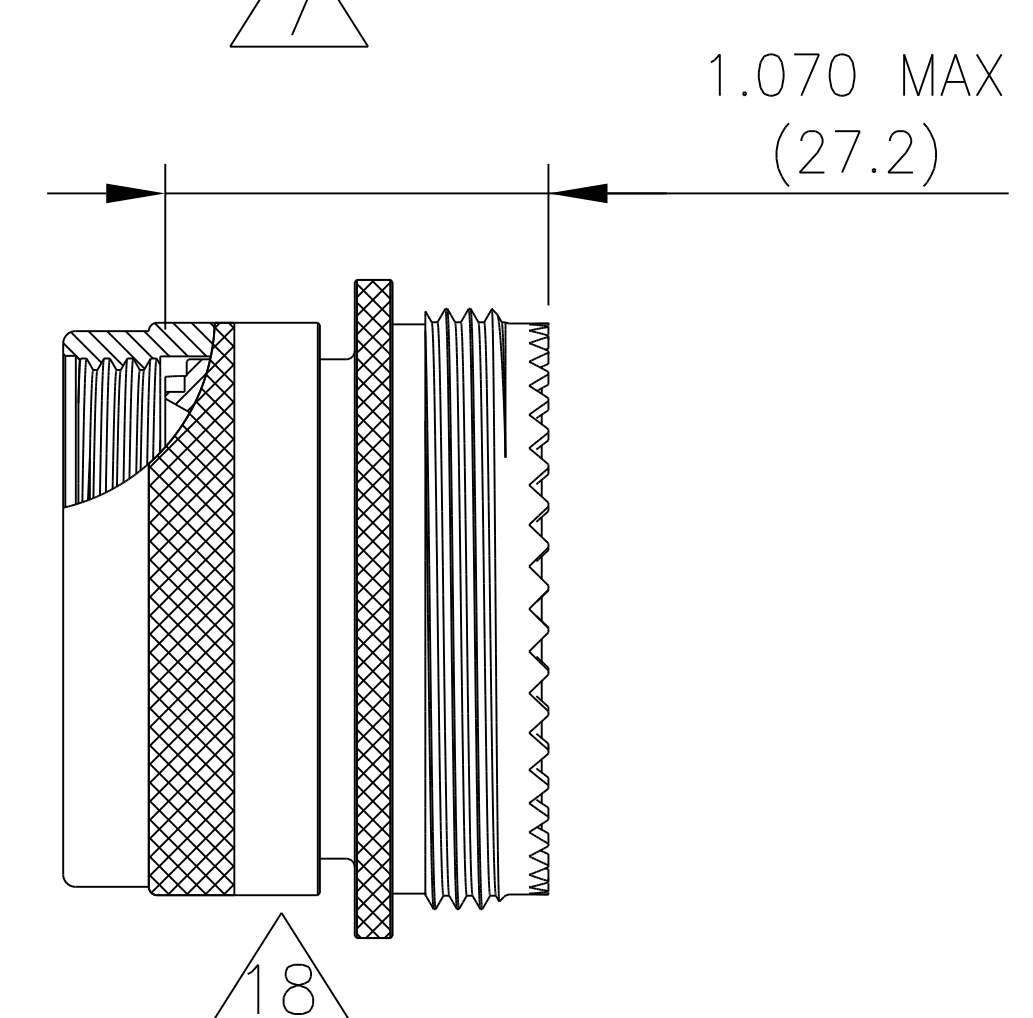
"S" CONFIG.

TABLE I

SHELL SIZE											E MAX DIM	F MAX DIM	G MAX DIM	H MAX DIM	L MAX DIM	MAXIMUM ENTRY AVAILABILITY (STYLE 1)										
CODE A1	CODE A4	CODE D1	CODE E1	CODE F2	CODE F5	CODE G1	CODE H1	CODE L1	CODE U1	CODE X2						CODE A1	CODE A4	CODE D1	CODE E1	CODE F2	CODE F5	CODE G1	CODE H1	CODE L1	CODE U1	CODE X2
08	08	08	08	08	09	08		08	11	08	0.612 (15.5)	1.092 (27.7)	0.727 (18.5)	1.275 (32.4)	0.702 (17.8)	04	04	05	04	04	04	06	04	06	04	
10	10	10	10	10	11	10		10	13	10	0.675 (17.1)	1.119 (28.4)	0.831 (21.1)	1.340 (34.0)	0.806 (20.5)	06	06	07	06	06	06	08	06	08	06	
12	12	12	12	12	13			12	12	15	0.698 (17.7)	1.143 (29.0)	0.886 (22.5)	1.403 (35.6)	0.861 (21.9)	08	08	09	08	08	08		09	08	10	08
14	14	14	14	14	15	14		14	14	17	0.723 (18.4)	1.169 (29.7)	0.946 (24.0)	1.465 (37.2)	0.921 (23.4)	08	10	10	10	10	10	11	11	08	12	10
16	16	16	16	16	17	16		16	16	19	0.748 (19.0)	1.195 (30.4)	1.008 (25.6)	1.521 (38.6)	0.983 (25.0)	10	12	12	12	12	12	12	13	10	14	12
18	18	18	18	18	19	18		18	18	23	0.767 (19.5)	1.215 (30.9)	1.052 (26.7)	1.592 (40.4)	1.027 (26.1)	12	12	13	12	12	14	14	14	12	16	12
20	20	20	20	20	21	20		20	20	25	0.793 (20.1)	1.241 (31.5)	1.115 (28.3)	1.648 (41.9)	1.090 (27.7)	14	14	14	14	16	16	16	16	14	18	06
22	22	22	22	22	23	22		22	22	29	0.818 (20.8)	1.266 (32.2)	1.177 (29.9)	1.701 (43.2)	1.152 (29.3)	16	16	16	16	18	18	18	18	16	22	18
24	24	24	24	24	25	24		24	24	33	0.844 (21.4)	1.292 (32.8)	1.240 (31.5)	1.766 (44.9)	1.215 (30.9)	18	18	18	18	18	18	18	20	18	26	18
28								28			0.870 (22.1)	1.318 (33.5)	1.307 (33.2)	1.829 (46.5)	1.282 (32.6)	20							20	20		
32								32			0.893 (22.7)	1.373 (34.9)	1.408 (35.8)	1.962 (49.8)	1.383 (35.1)	22							20			
36								36			0.938 (23.8)	1.418 (36.0)	1.515 (38.5)	2.097 (53.3)	1.490 (37.8)	24							20			
40								40			0.983 (25.0)	1.463 (37.2)	1.623 (41.2)	2.222 (56.4)	1.598 (40.6)	26							20			
44											1.035 (26.3)	1.515 (38.5)	1.750 (44.5)	2.343 (59.5)	1.725 (43.8)	26										
48											1.087 (27.6)	1.567 (39.8)	1.875 (47.6)	2.467 (62.7)	1.850 (47.0)	26										



2-PIECE ADAPTER
STRAIGHT ("S") CONFIGURATION
MINIMUM ORDER LENGTH 2.25 INCHES



2-PIECE ADAPTER
A, D, R CONFIGURATION

TABLE II

ENTRY SIZE	ZETALOK SPRING SIZE (REF)	X ±.015 (±.4) DIA	Y ±.015 (±.4) DIA	Z ±.015 (±.4) DIA
02	0050	0.125 (3.2)	0.221 (5.6)	0.372 (9.4)
04	0100	0.250 (6.4)	0.346 (8.8)	0.497 (12.6)
06	0100	0.375 (9.5)	0.471 (12.0)	0.622 (15.8)
08	0200	0.500 (12.7)	0.596 (15.1)	0.747 (19.0)
10	0200	0.625 (15.9)	0.721 (18.3)	0.872 (22.1)
12	0300	0.750 (19.1)	0.846 (21.5)	0.997 (25.3)
14	0300	0.875 (22.2)	0.971 (24.7)	1.122 (28.5)
16	0300	1.000 (25.4)	1.096 (27.8)	1.247 (31.7)
18	0300	1.125 (28.6)	1.221 (31.0)	1.372 (34.8)
20	0400	1.250 (31.8)	1.346 (34.2)	1.497 (38.0)
22	0400	1.375 (34.9)	1.471 (37.4)	1.622 (41.2)
24	0400	1.500 (38.1)	1.596 (40.5)	1.747 (44.2)
26	0400	1.625 (41.3)	1.721 (43.7)	1.872 (47.5)

HellermannTyton

William Prance Road,
Plymouth International Med. & Tech. Park,
Plymouth, PL6 5WR
Tel ++44 (0) 1752 701261
Fax ++44 (0) 1752 790058

NAME	GB	SCALE	NTS	ADHESIVE	A3 ORIGINAL SHEET SIZE 420mm x 297mm	SHT. 2 OF 4 SHTS.
DATE	07/09/15	DIMS IN	in (mm)			
TITLE	ADAPTER, BANDING SHRINK BOOT ACCOMMODATION, NON DETENT SELF LOCKING			PART No.	DRAWING No.	
				BACKSHELLS	152306	

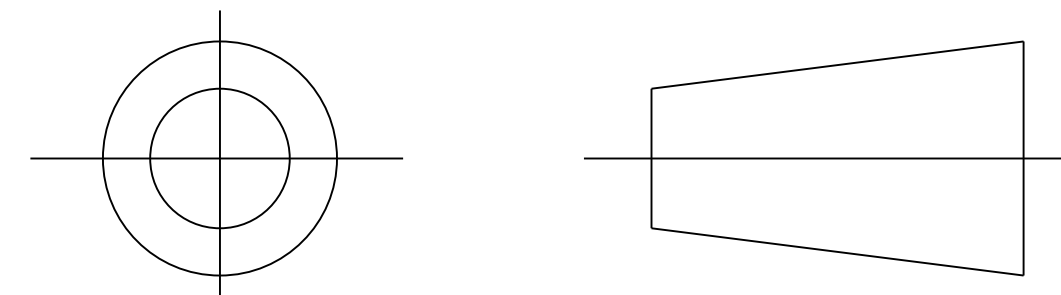
3	P1564	CM	21/02/17
2	P1542	CM	27/07/16
1	P1516	GB	07/09/15
ISSUE	NOTE No.	DRAWN	DATE

DRAWING No.
152306

SHT. 3
OF
4 SHTS.

THE COPYRIGHT OF THIS DRAWING IS RESERVED BY HELLERMANN TYTON. IT IS ISSUED ON CONDITION THAT IT IS NOT COPIED, REPRODUCED OR DISCLOSED TO A THIRD PARTY EITHER WHOLLY OR IN PART WITHOUT THE CONSENT IN WRITING OF HELLERMANN TYTON.

THIRD ANGLE PROJECTION



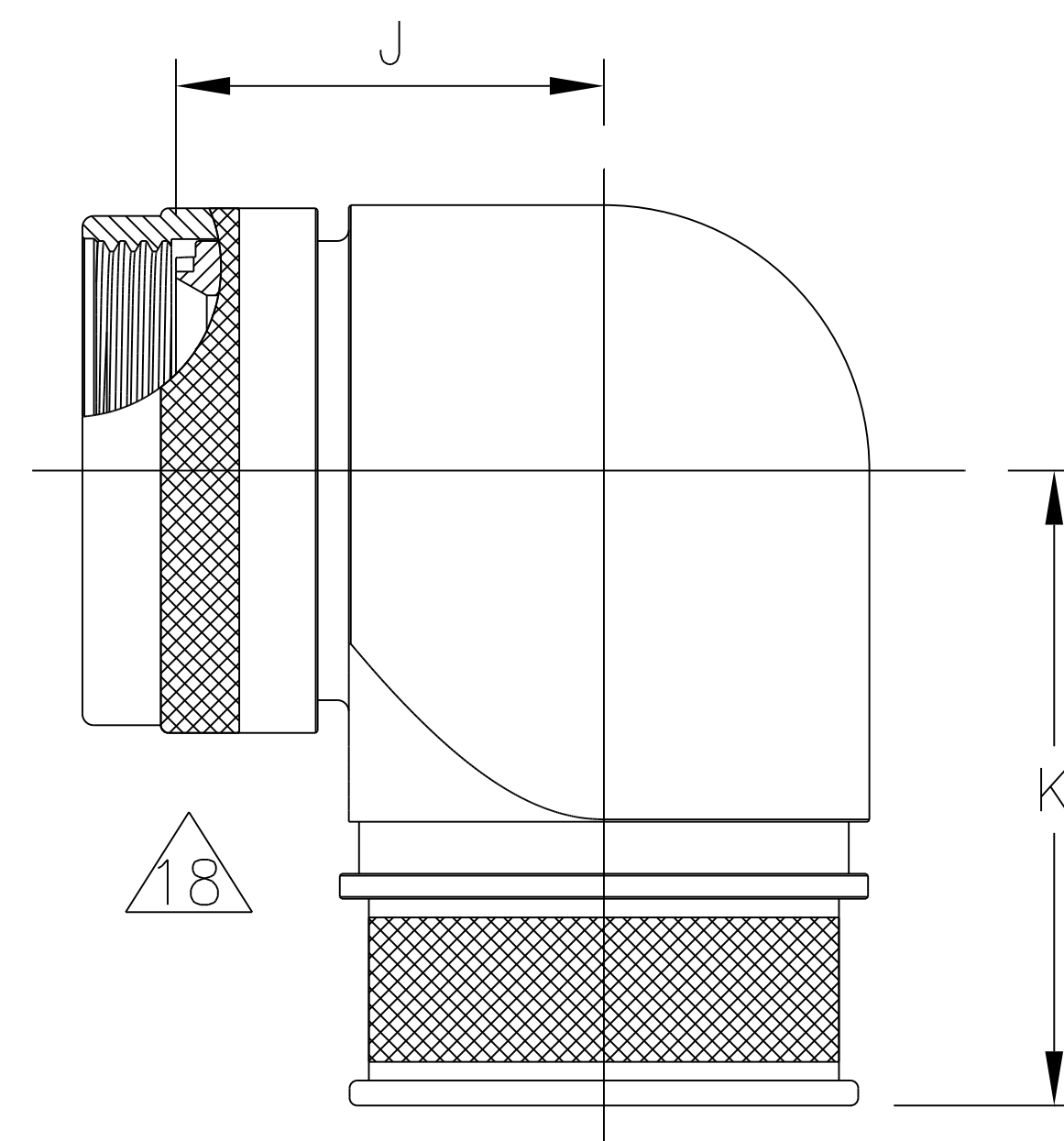
BS 8888

DO NOT SCALE
IF IN DOUBT ASK

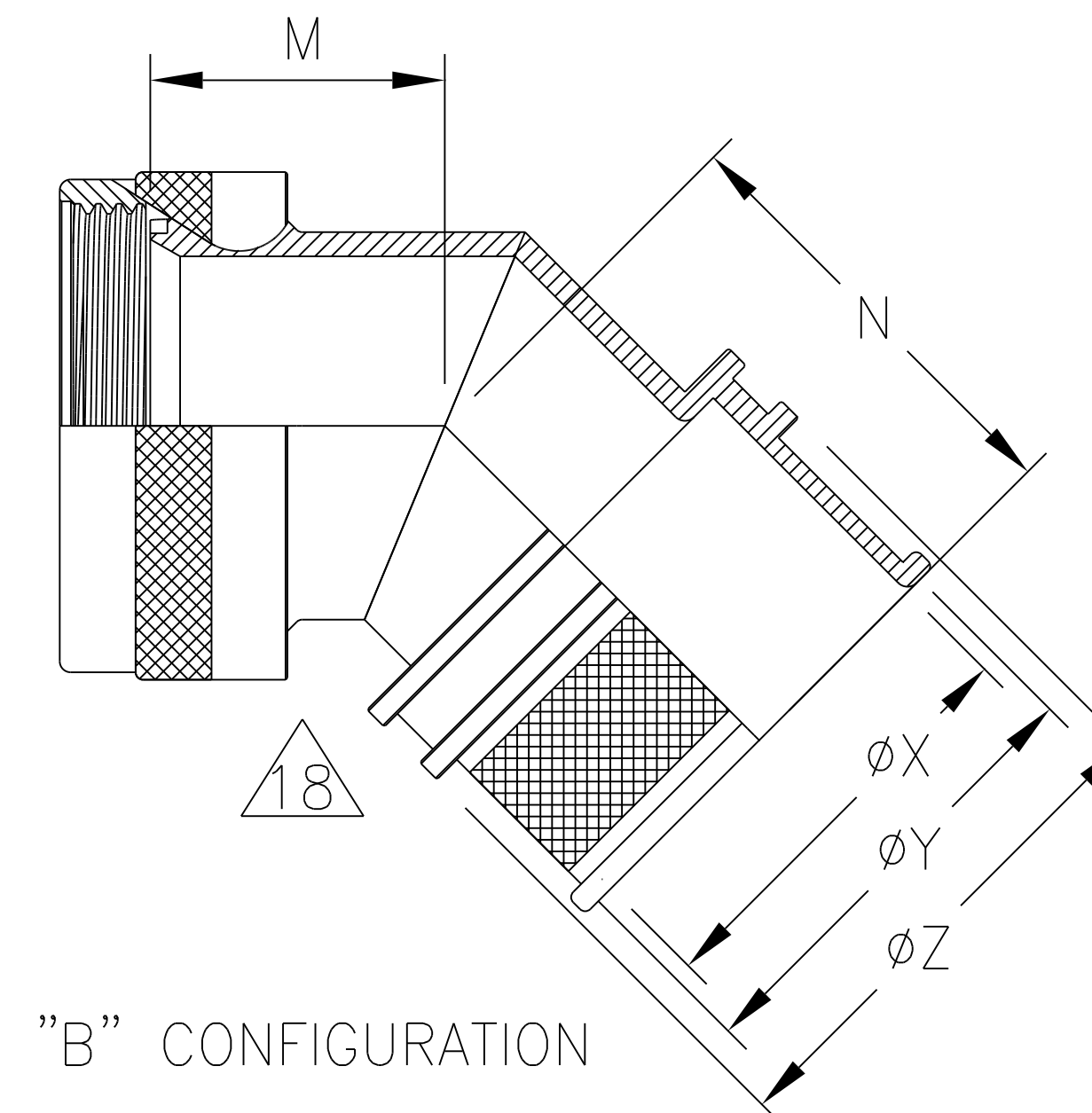
Q.A.	H/S SETT
H/S Q.A.	REL. INSP.
H/S PROD	EXT. ISS. CODE 14

TABLE IV
CONNECTOR SERIES CODE A & F ONLY

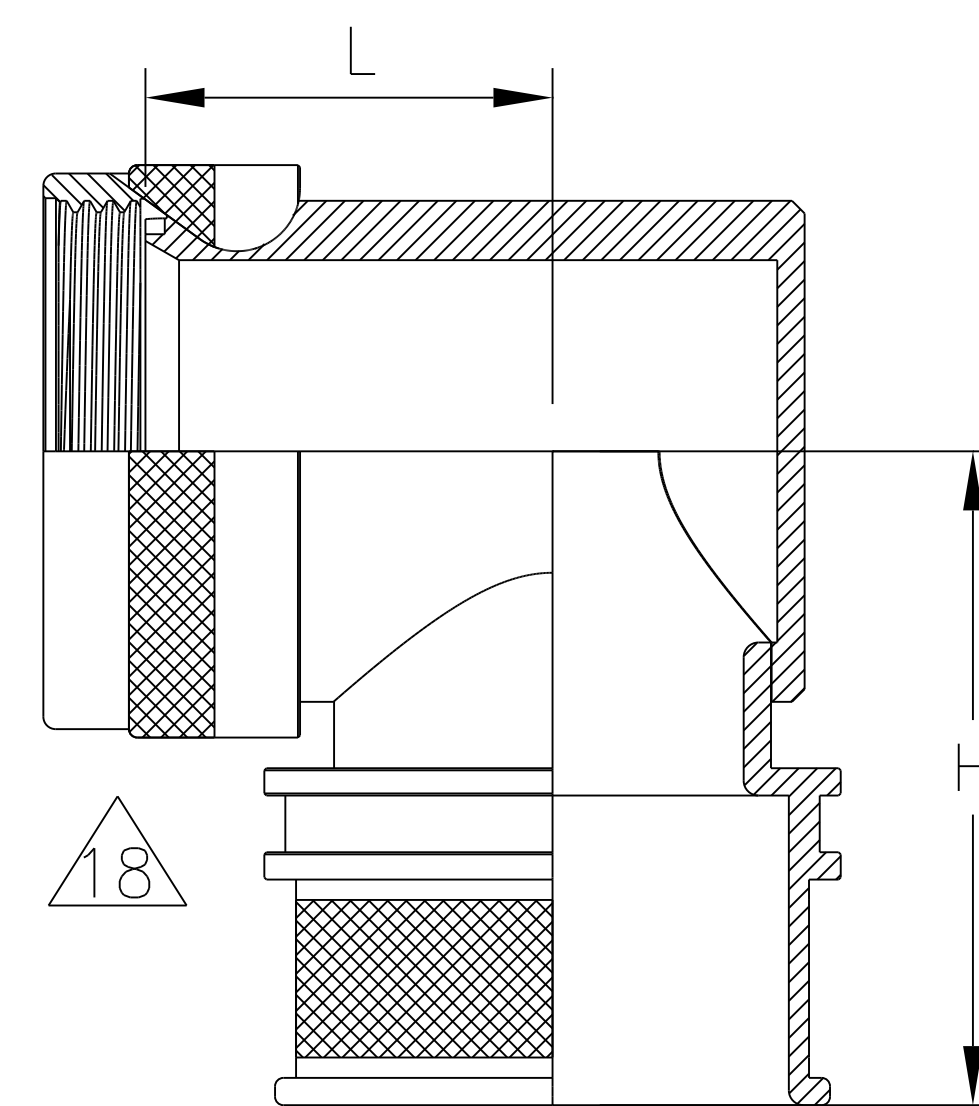
SHELL SIZE	MAX LENGTH FOR ONE PIECE STRAIGHT ("Y" CONFIG. ONLY) $\triangle 18$	MAX ENTRY SIZE (X,B,T,E CONFIG.)	45 DEG MAX LENGTHS ("B" CONFIG.)		90 DEG MAX LENGTHS ("X" CONFIG.)	
			M	N	J	K
08	1.382 (35.1)	06	0.812 (20.6)	1.292 (32.8)	0.647 (16.4)	1.298 (33.0)
09	1.214 (30.8)	06	0.842 (21.4)	1.322 (33.6)	0.689 (17.5)	1.298 (33.0)
10	1.382 (35.1)	08	0.875 (22.2)	1.319 (33.5)	0.713 (18.1)	1.374 (34.9)
11	1.341 (34.1)	10	0.905 (23.0)	1.349 (34.3)	0.757 (19.2)	1.374 (34.9)
12	1.382 (35.1)	10	0.898 (22.8)	1.343 (34.1)	0.775 (19.2)	1.508 (38.3)
13	1.280 (32.5)	10	0.928 (23.6)	1.373 (34.9)	0.819 (20.8)	1.508 (38.3)
14	1.382 (35.1)	12	0.923 (23.4)	1.369 (34.8)	0.822 (22.5)	1.469 (37.3)
15	1.280 (32.5)	12	0.953 (24.2)	1.399 (35.5)	0.866 (22.0)	1.469 (37.3)
16	1.280 (32.5)	14	0.948 (24.1)	1.395 (35.4)	0.885 (22.5)	1.630 (41.4)
17	1.280 (32.5)	14	0.978 (24.8)	1.425 (36.2)	0.929 (23.6)	1.630 (41.4)
18	1.339 (34.0)	16	0.967 (24.6)	1.415 (35.9)	0.947 (24.1)	1.729 (43.9)
19	1.280 (32.5)	16	0.997 (25.3)	1.445 (36.7)	0.991 (25.2)	1.729 (43.9)
20	1.280 (32.5)	20	0.993 (25.2)	1.441 (36.6)	0.994 (25.2)	1.849 (47.0)
21	1.280 (32.5)	20	1.023 (26.0)	1.471 (37.4)	1.038 (26.4)	1.849 (47.0)
22	1.297 (32.9)	22	1.018 (25.9)	1.466 (37.2)	1.069 (27.2)	1.923 (48.8)
23	1.297 (32.9)	22	1.048 (26.6)	1.496 (38.0)	1.111 (28.2)	1.923 (48.8)
24	1.297 (32.9)	24	1.044 (26.5)	1.492 (37.9)	1.114 (28.3)	2.041 (51.8)
25	1.214 (30.8)	24	1.074 (27.3)	1.522 (38.7)	1.158 (29.4)	2.041 (51.8)



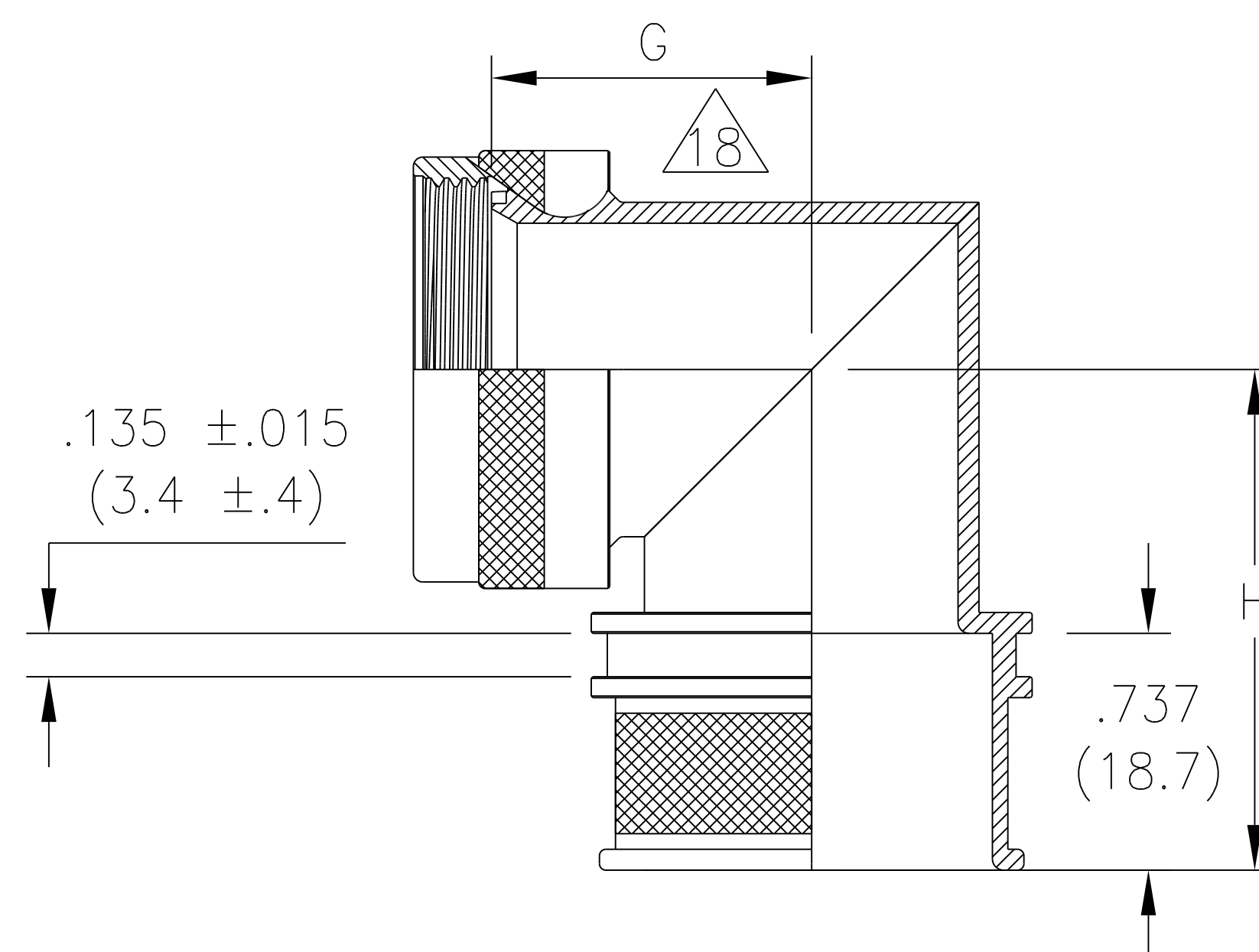
"X" CONFIGURATION



"B" CONFIGURATION

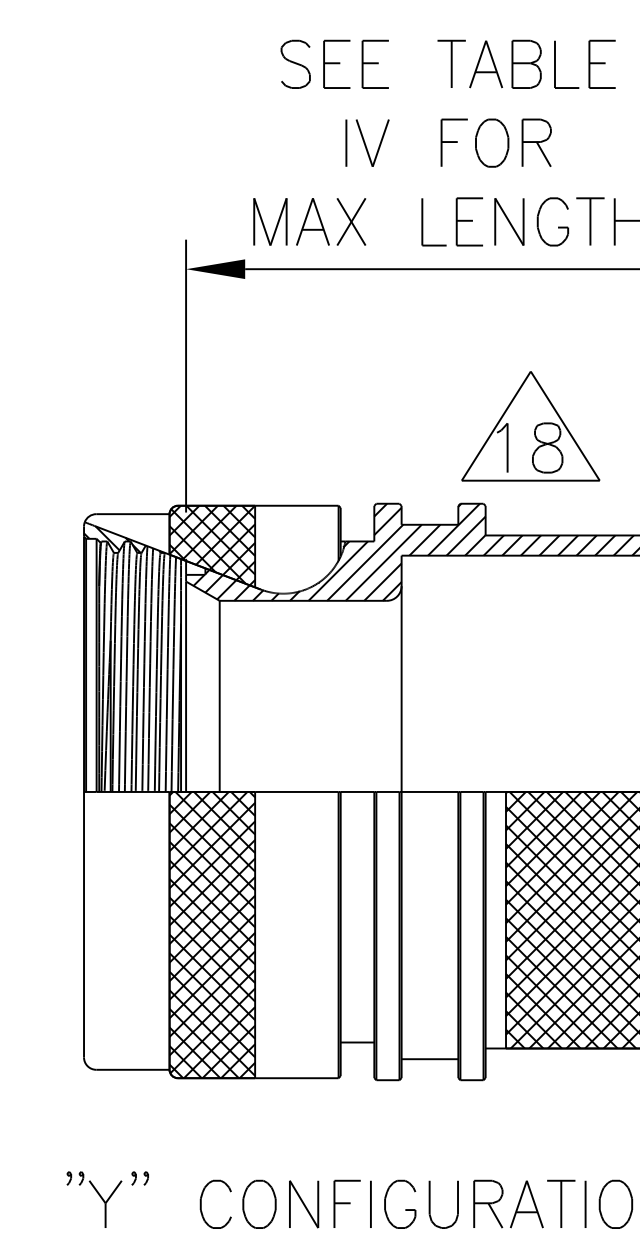


"E" CONFIGURATION



"T" CONFIGURATION

THIS DRAWING HAS BEEN PREPARED IN THE HellermannTyton DRAWING SYSTEM AS THE NEXT ISSUE TO 06XX024 REVISION W AND 152306 ISS.2 IS THE EQUIVALENT TO 06XX024 REVISION X



"Y" CONFIGURATION

TABLE III

CODE	FINISH DESCRIPTION
C	CADMIUM PLATE, OLIVE DRAB
N	ELECTROLESS NICKEL
CN	CADMIUM PLATE, OLIVE DRAB, OVER ELECTROLESS NICKEL
A	HARD ANODIZE
AB	ANODIZE, BLACK
CC	CADMIUM PLATE, BRIGHT/CLEAR
CE	CADMIUM PLATE, BRIGHT/CLEAR OVER ELECTROLESS NICKEL
CB	CADMIUM PLATE, BLACK
P	PASSIVATE PER QQ-P-35, ASTM A967
T	BLACK ZINC NICKEL
ZB	GREEN ZINC COLBALT
ZT	BLACK ZINC COBALT
PT	NICKEL PTFE

HellermannTyton

William Prance Road,
Plymouth International Med. & Tech. Park,
Plymouth, PL6 5WR
Tel ++44 (0) 1752 701261
Fax ++44 (0) 1752 790058

NAME	GB	SCALE	NTS	ADHESIVE	A3 ORIGINAL SHEET SIZE 420mm x 297mm	SHT. 3 OF 4 SHTS.
DATE	07/09/15	DIMS IN	in (mm)			
TITLE	ADAPTER, BANDING SHRINK BOOT ACCOMMODATION, NON DETENT SELF LOCKING			PART No.	DRAWING No.	
				BACKSHELLS	152306	

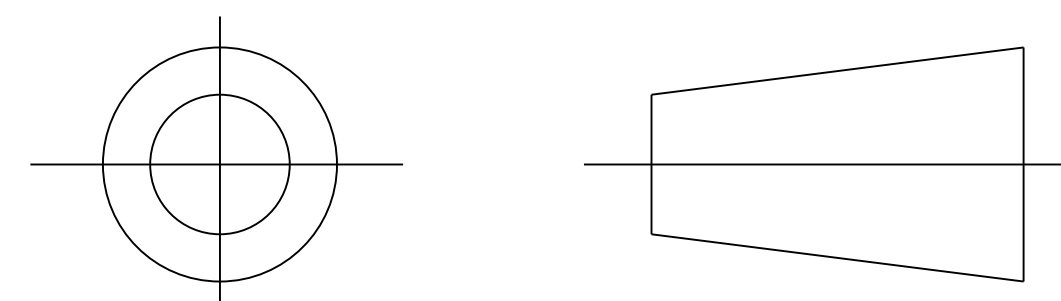
ISSUE	NOTE No.	DRAWN	DATE
3	P1564	CM	21/02/17
2	P1542	CM	27/07/16
1	P1516	GB	07/09/15

DRAWING No.
152306

SHT. 4
OF
4 SHTS.

© THE COPYRIGHT OF THIS DRAWING IS RESERVED BY HELLERMANN TYTON. IT IS ISSUED ON CONDITION THAT IT IS NOT COPIED, REPRODUCED OR DISCLOSED TO A THIRD PARTY EITHER WHOLLY OR IN PART WITHOUT THE CONSENT IN WRITING OF HELLERMANN TYTON.

THIRD ANGLE PROJECTION



BS 8888

DO NOT SCALE
IF IN DOUBT ASK

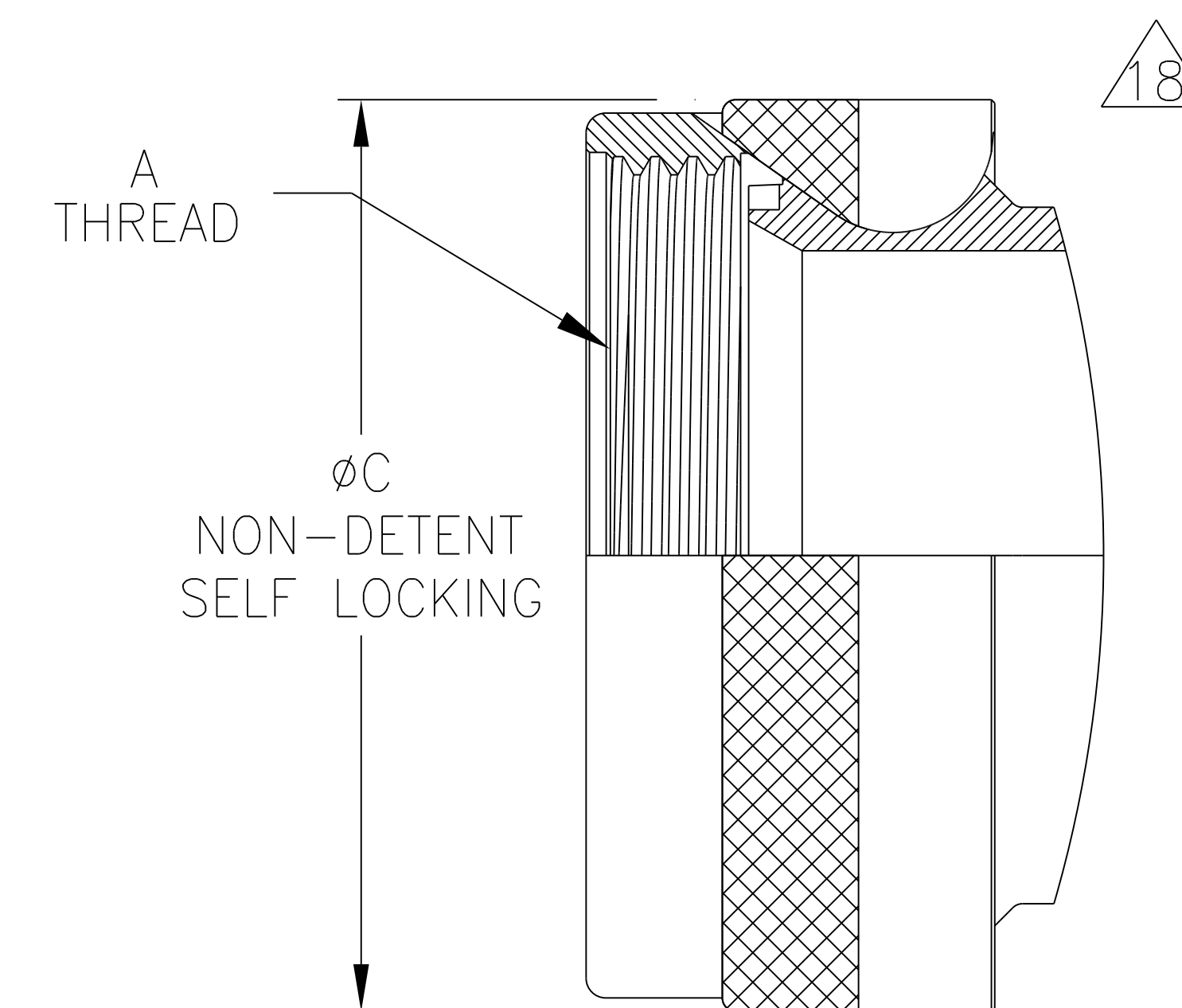
Q.A.	H/S SETT
H/S Q.A.	REL. INSP.
H/S PROD	EXT. ISS. CODE 14

TABLE V

A THREAD (REF)	C MAX DIAM	CONNECTOR SERIES DESIGNATOR												
		A1	A4	H1	E1	D1	F2	U1	F5	G1	L1	X1	X2	P1
.438 - 28 UNEF	0.745 (16.5)		08		08	08	08 (9)					08	08	08 S
M 12 X 1.0 - 6H	0.767 (19.5)							09 (A)						
.500 - 20 UNF	0.675 (17.1)	08									08			
.500 - 28 UNF	0.650 (16.5)								08 (A)					10S
.562 - 24 UNEF	0.874 (22.2)	03	10		10	10	10 (11)				10	10 (8)	10	10 SL
M 15 X 1.0 - 6H	0.905 (23.0)							11 (B)						
.625 - 24 UNEF	0.812 (20.6)	10								10				12 12 S
.688 - 24 UNEF	1.001 (25.4)		12		12		12 (13)				12	12 (10)		
M 18 X 1.0 - 6H	1.017 (25.8)								13 (C)					
.750 - 20 UNEF	0.927 (23.5)	12 (7)		12		12		11 (A)		12				14 14 S
.812 - 20 UNEF	1.129 (28.7)		14		14	14	14 (15)				14	14 (12)		
M 22 X 1.0 - 6H	1.188 (30.2)							15 (D)						
.875 - 20 UNEF	1.043 (26.5)	14 (2)		14				13 (B)		14				16 16 S
.875 - 28 UNEF	1.150 (29.2)								14 (D)					
.938 - 20 UNEF	1.249 (31.7)		16		16	16	16 (17)				16	16 (14)		
M 25 X 1.0 - 6H	1.299 (33.0)							17 (E)						
1.000 - 20 UNEF	1.153 (29.3)	16 (19)		16				15 (C)		16				18
1.000 - 28 UNEF	1.360 (34.5)								16 (E)					
1.062 - 18 UNEF	1.365 (34.7)	18 (27)	18		18	18	18 (19)			18	18	18 (16)		
1.125 - 18 UNEF	1.410 (35.6)			18				17 (D)						20
1.125 - 28 UNEF	1.480 (37.6)								18 (F)					
M 28 X 1.0 - 6H	1.410 (35.8)							19 (F)						
1.188 - 18 UNEF	1.492 (37.9)	20 (37)	20		20	20	20 (21)			20	20	20 (18)		
M 31 X 1.0 - 6H	1.541 (39.1)							21 (G)						
1.250 - 18 UNEF	1.530 (38.9)		20					19 (E)						22
1.250 - 28 UNEF	1.600 (40.6)								20 (G)					
1.312 - 18 UNEF	1.597 (40.6)	22	22		22	22	22 (23)			22	22	22 (20)		
M 34 X 1.0 - 6H	1.667 (42.3)							23 (H)						
1.375 - 18 UNEF	*			22										24
1.375 - 28 UNEF	1.730 (43.9)								22 (H)					
1.438 - 18 UNEF	1.742 (44.2)	24	24		24	24	24 (25)	23 (F)		24	24	24 (22 & 24)		
M 37 X 1.0 - 6H	1.771 (45.0)							25 (J)						
1.500 - 18 UNEF	1.678 (42.6)	61												
1.500 - 28 UNEF	1.940 (49.3)								24 (J)					
1.562 - 18 UNEF	1.820 (46.2)							25 (G)						
1.625 - 18 UNEF	*		24											28
1.750 - 18 UNS	1.884 (47.9)	28								28				
1.875 - 16 UNEF	2.190 (55.6)			28				29 (H)						32
2.000 - 18 UNS	2.114 (53.7)	32												
2.062 - 16 UNEF	2.440 (62.0)			32				33 (J)						
2.125 - 16 UNEF	*													36
2.250 - 16 UN	2.384 (60.6)	36												
2.312 - 16 UNEF	*			36										
2.375 - 16 UNEF	*													40
2.500 - 16 UN	2.634 (66.9)	40												
2.625 - 16 UNEF	*			40										
2.750 - 16 UN	2.875 (73.0)	44												
3.000 - 16 UN	3.124 (79.3)	48												

CONNECTOR DESIGNATOR REFERENCE TABLE

CONNECTOR SERIES DESIGNATOR	CONNECTOR SPECIFICATION	CONNECTOR SERIES
A1	MIL-DTL-5015	MS3400
	MIL-DTL-26482	II
	AS1703	III
	MIL-DTL-83723	I & III
	NAS1599	
	40M39569 (NASA)	
	DEF 5326-3	
	LN29504	
	PAN 6432-1&-2	
	PATT 602	
A4	NFC 93422	HE 302
	EN 3646	
	EN2997	
H1	PATT 105	
	PATT 603	
	PATT 608	
E1	MIL-C-22992	
D1	MIL-C-26482	I
F2	MIL-C-26500	ALUM
	MIL-DTL-38999	I & II
	40M38277 (NASA)	
	PAN 6433-1	
	PATT 614	
U1	PATT 616	
	NFC 93422	HE 308
	NFC 93422	HE 309
F5	MIL-C-28840	III & IV
	MIL-DTL-38999	
G1	EN3645	
	MIL-C-81511	I, II, III, & IV
P1	VG95329	
	MIL-C-83723	II
L1	BACC63 (BOEING)	BP, BR, BT, BV, CB & CC



HellermannTyton

William Prance Road,
Plymouth International Med. & Tech. Park,
Plymouth, PL6 5WR
Tel ++44 (0) 1752 701261
Fax ++44 (0) 1752 790058

NAME	GB	SCALE	NTS	ADHESIVE	A3 ORIGINAL SHEET SIZE 420mm x 297mm	SHT. 4 OF 4 SHTS.
DATE	07/09/15	DIMS IN	in (mm)			
TITLE	ADAPTER, BANDING SHRINK BOOT ACCOMMODATION, NON DETENT SELF LOCKING			PART No.	DRAWING No.	
	BACKSHELLS			152306		

ISSUE	NOTE No.	DRAWN	DATE
3	P1564	CM	21/02/17
2	P1542	CM	27/07/16
1	P1516	GB	07/09/15