

"Stay Connected with Heyco" Liquid Tight Cordgrips



**NO O-RING
REQUIRED!**

Heyco® -Tite Liquid Tight Cordgrips

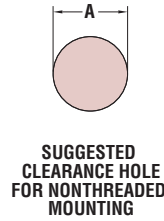
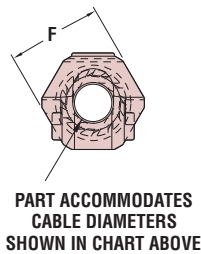
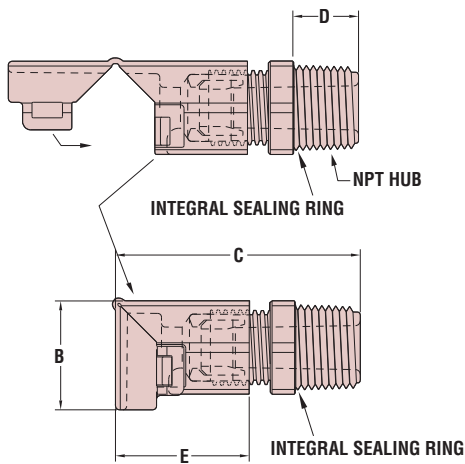
Right Angle, NPT Hubs with Integral Sealing Ring
The Ultimate in Liquid Tight Strain Relief Protection
Patented Fold Over Design



CABLE DIA. RANGE		PART NO.		DESCRIPTION	UL or IEC	PART DIMENSIONS											
		Black	Gray			A	B	C	D	E		F					
in.	mm.				Clearance Hole Dia.	Right Angle Height	Max O.A. Length (Closed)	Thread Length	Sealing Nut Length	Wrenching Nut Flat Size							
					in. mm.	in. mm.	in. mm.	in. mm.	in. mm.	in. mm.	in.	mm.					
.065 - .210	1,7 - 5,3	M4560	M4561	RLTCG 1/4 90	UL	.540	13,7	.69	17,5	1.67	42,5	.45	11,4	.86	22,0	.63	16,0
.115 - .250	2,9 - 6,4	M4562	M4563	LTCG 1/4 90													
.065 - .230	1,7 - 5,8	M8560	M8561	RLTCG 3/8 90	UL	.680	17,3	.88	22,3	1.93	48,9	.49	12,4	1.07	27,1	.82	20,8
.105 - .315	2,7 - 8,0	M8562	M8563	LTCG 3/8 90													
.095 - .290	2,4 - 7,4	M4564	M4565	RLTCG 1/2 90	UL	.875	22,2	1.06	26,9	2.41	61,2	.61	15,5	1.38	35,1	.98	24,9
.170 - .450	4,3 - 11,4	M8564	M8565	LTCG 1/2 90													

Standard colors black and gray.

- Cordgrip is molded in the open position for ease of installation. After cable insertion, the fitting snaps closed, bending the cable without damage. This assembly method saves considerable time and money.
- Part design provides liquid tight integrity even in the open position.
- Integral Sealing Ring ensures a superior seal at the clearance or threaded mounting hole location, every time.
- Widest range of approved cable diameters.
- IP 68 rated.
- Approved for **NEMA 4, 4X, 6 and 6P** applications.
- Acme threads on body prevent skipping and speed installation.
- Multiple sizes for flexible cord diameters ranging from .065" (1,7 mm) to .450" (11,4 mm).
- We recommend using the fitting with the smallest maximum diameter that will fit your application.
- **Patented.**
- **Locknuts not included.** For nylon locknut specifications or to order locknuts separately, see page 3-45.
- For Heyco Liquid Tight Threaded Plugs, see page 3-49.
- Consult Heyco for cordgrips molded in other colors.



Material	Nylon 6/6 w/Buna N or TPE Sealing Gland
Certifications	<ul style="list-style-type: none"> UL Listed under Underwriters' Laboratories File E51579 Recognized under Components Program of Underwriters' Laboratories File E51579 CSA Certified by Canadian Standard Association File 93876C
Flammability Rating	94V-2
Temperature Range	Static -40°F (-40°C) to 239°F (115°C) Dynamic -4°F (-20°C) to 212°F (100°C)
IP Rating	IP 68 (70 PSI, 5 BAR)

*Quick
Specs*