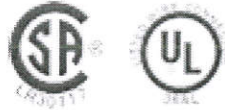


Three Conductor Solderless Lugs

TYPE: A3B2/A3B4

[Back to Index](#)

The unique ridges formed on the bottom of the contact surface are designed to provide contact points for an electrically secure joint of the lowest resistance for current flow. The screws used to clamp the conductors are designed to extend beyond the barrel sides of the conductor to allow a better, more secure compression of the conductor. This design spreads the conductor strands to help dissipate heat, and improve its pull-out safety features and capabilities. The design of the wire way provides optimum transfer of current, creating a straight line flow through the connector for the least possible path of electrical resistance. A positive wire stop is also provided.



PosiGrip®

90° C RATING (486B LISTED)

PATENTED

Catalog Number	Fig. No.	Screw Type	Cond. Range AWG	Dimensions, Inches					
				H	W	L	G	D*	T
A3B2-600	1	.38H	600 - 2	1.56	4.18	5.62	0.63	0.56	0.38
A3B2-750	1	.38H	750 - 300	1.94	4.86	6.18	0.63	0.56	0.44
A3B2-1000	1	.50H	1000 - 500	1.94	4.86	6.18	0.63	0.56	0.44
A3B4-600	2	.38H	600 - 2	1.56	4.18	5.62	0.63	0.56	0.38
A3B4-750	2	.38H	750 - 300	1.94	4.86	6.18	0.63	0.56	0.44
A3B4-1000	2	.50H	1000 - 500	1.94	4.86	6.18	0.63	0.56	0.44

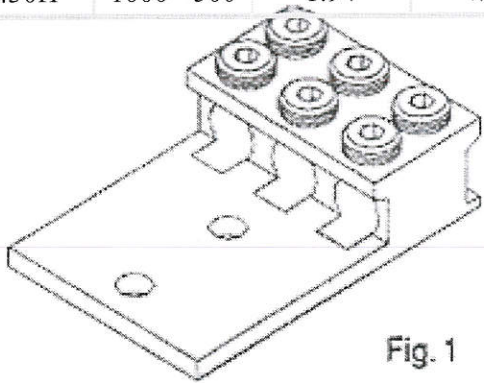


Fig. 1

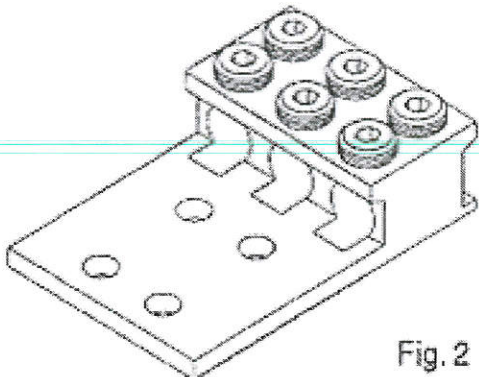
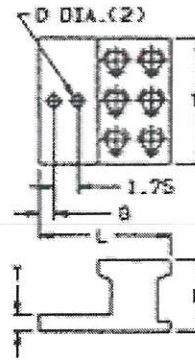


Fig. 2

