

DRAWING #: 10007565C-NE SHEET: 1 NEW PART: N38-30T+00013-8AP2

REV. - DCN # - DESCRIPTION: INITIAL RELEASE BY: RT DATE: 04/21/2017

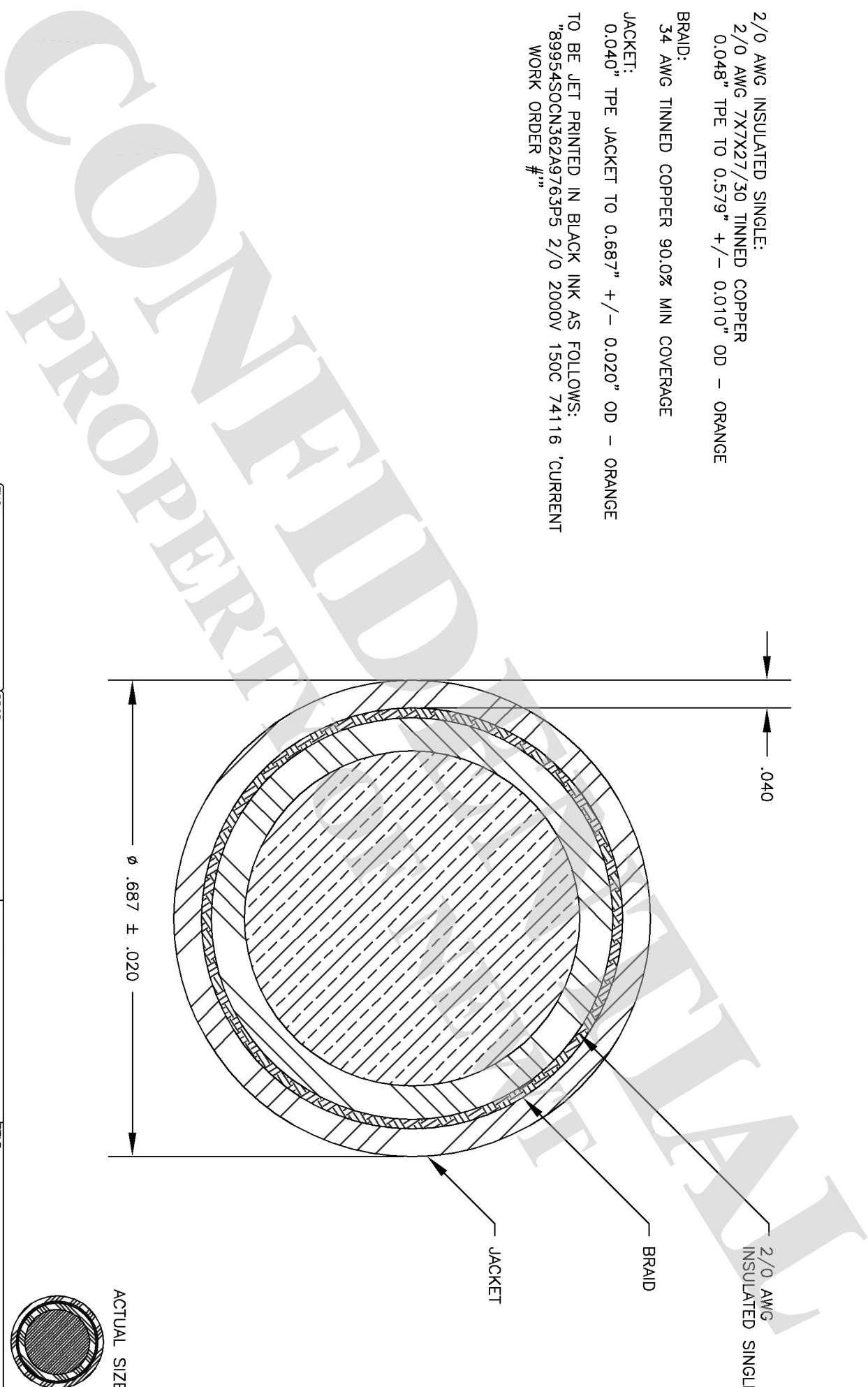
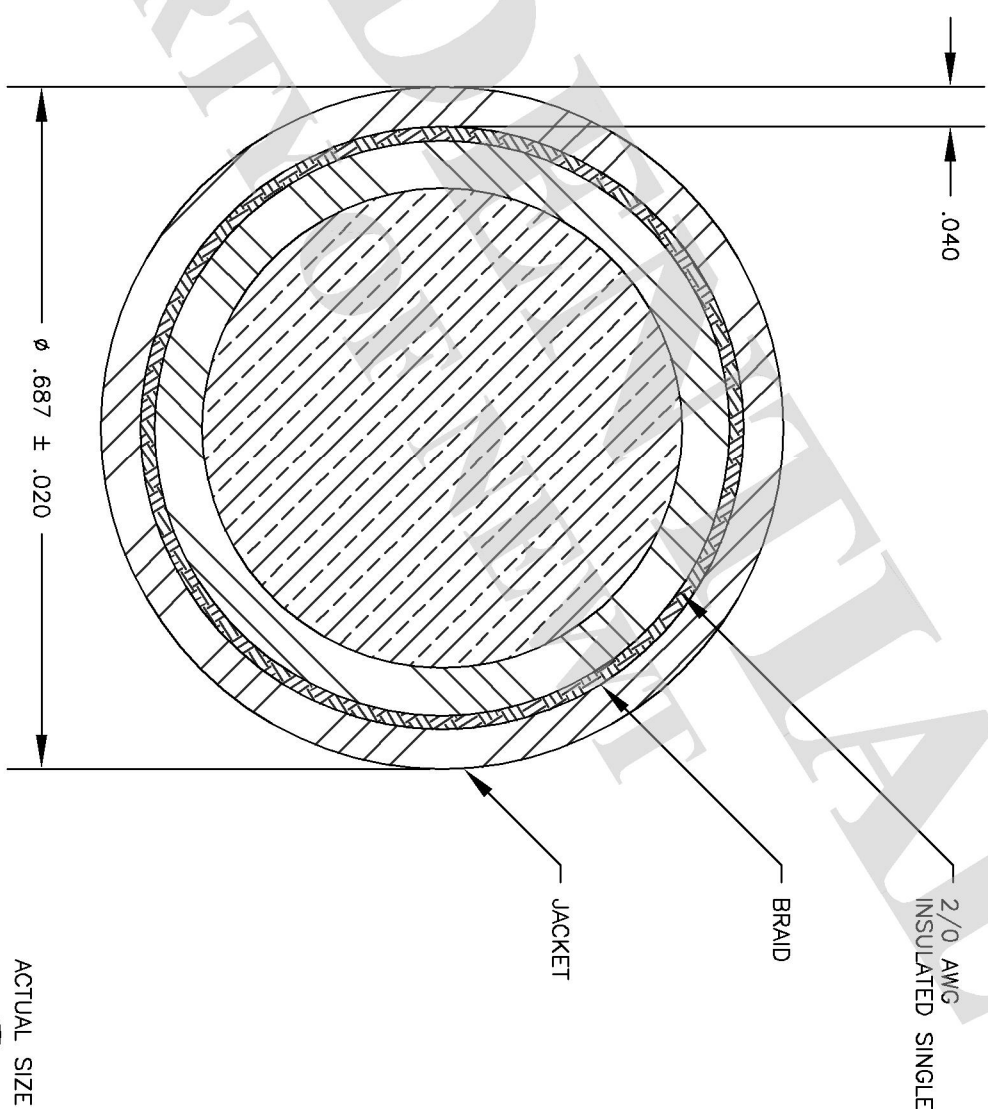
REVISIONS

2/0 AWG INSULATED SINGLE:
 2/0 AWG 7X7X27/30 TINNED COPPER
 0.048" TPE TO 0.579" +/- 0.010" OD - ORANGE

BRAID:
 34 AWG TINNED COPPER 90.0% MIN COVERAGE

JACKET:
 0.040" TPE JACKET TO 0.687" +/- 0.020" OD - ORANGE

TO BE JET PRINTED IN BLACK INK AS FOLLOWS:
 "89954S0CNCN362A9763P5 2/0 2000V 150C 74116 'CURRENT
 WORK ORDER #:"



THE ENTIRE INFORMATION CONTAINED HEREON IS THE PROPERTY OF
 NEW ENGLAND WIRE TECHNOLOGIES CORPORATION IN LISBON, NH
 AND MAY NOT BE REPRODUCED OR USED WITHOUT PERMISSION OF
 NEW ENGLAND WIRE TECHNOLOGIES CORPORATION.
 130 NORTH MAIN STREET, LISBON, NEW HAMPSHIRE 03585

ENG.	ALL DIMENSIONS ARE IN INCHES UNLESS OTHERWISE SPECIFIED	PROD.	DRAWN BY: R. TRAHAN DRAWING #: 10007565C-NE	GAGE NUMBER: 74116 SCALE: NONE	NEW ENGLAND WIRE TECHNOLOGIES	TITLE: 2/0 AWG SINGLE	REV. -
							SIZE: SHEET SET: A 1 OF 1