

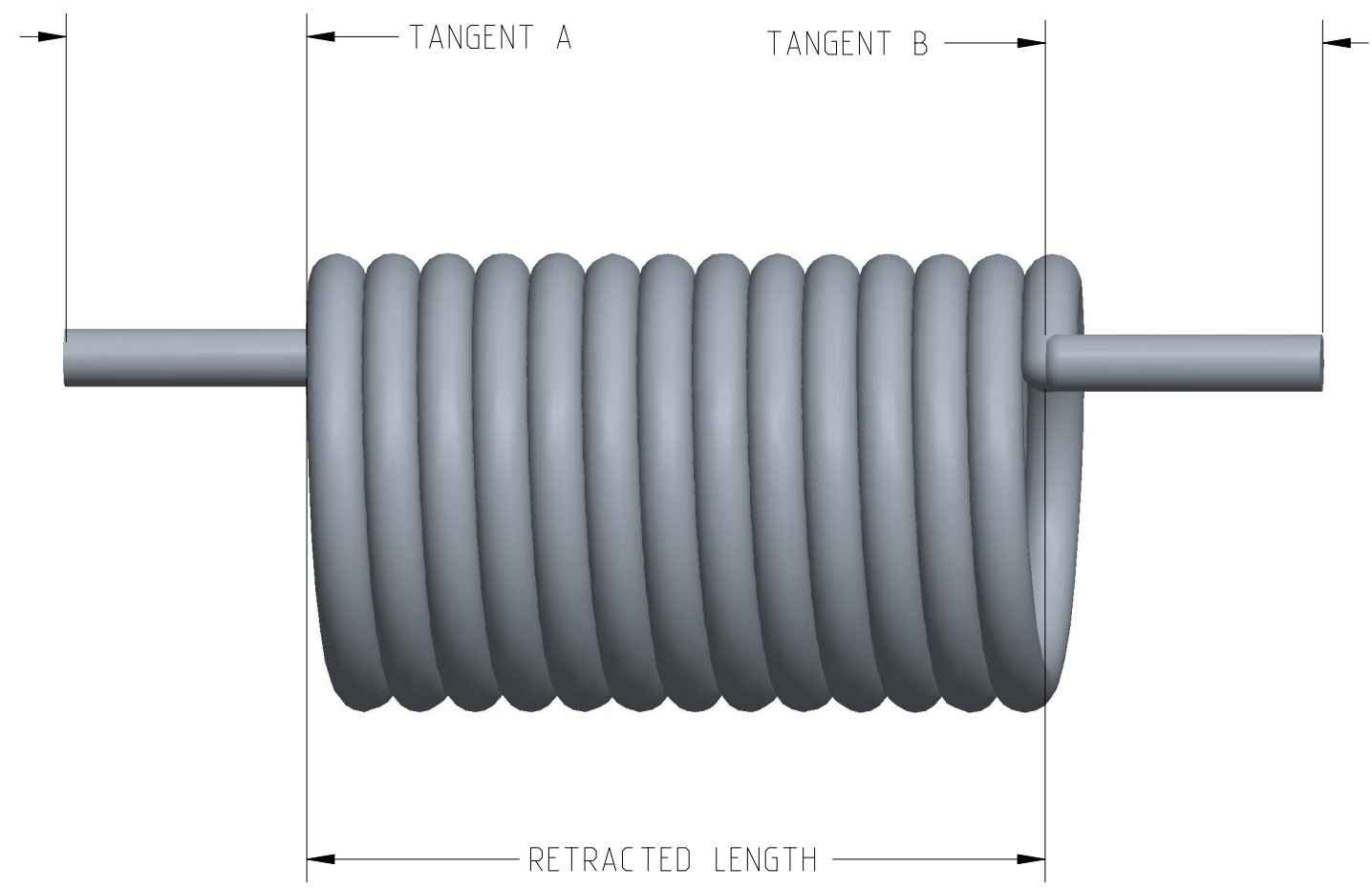
5

4

3

2

1



1-RETRACTED LENGTH : 3.5"  
 TANGENT A (AXIAL): 34" **36"**  
 TANGENT B (AXIAL): 34" **36"**  
 NOMINAL COIL OD : 1.29"  
 FINISHED HELIX: RIGHT HAND LAY  
 EXTENDED LENGTH (NOM.): 5X RETRACTED LENGTH

2- **18/4 SJEOW/SJTOW 90C 300V**  
**18 AWG - 41X34BC STRANDING**  
 30 MIL TPE INSULATION  
 COLORS - BLACK, WHITE, RED, GREEN  
 NOM. OD - .110"  
 TISSUE PAPER SEPARATOR  
 30 MIL TPU JACKET - PRESSURED  
 COLOR - BLACK  
**NOM OD - .340"**  
 UL LISTED  
 CSA CERTIFIED

FUNCTIONAL REP  
 FOR ENGINEERING USE ONLY  
 DO NOT USE MODEL GEOMETRY FOR MANUFACTURING.

PROTOTYPE

PRE-RELEASED, CREATED		SA	05-25-17
RELEASE/CHANGE AUTHORIZATION NUMBER		DRAFTER	DATE
CONFIDENTIAL PROPERTY OF <b>TORO</b> <sup>®</sup> BLOOMINGTON, MINNESOTA	SIMILAR TO 122-0324		FINISH CLASS N/A
	SCALE 1:1	APPROX. WEIGHT .01 LB	
DRAWING CONFORMS TO ASME Y14.5M-1994	DRAFTER SA	CREATED 05-25-17	ORIGINATOR G.BATIZ ORIGINATING LOCATION LYNDALE
UNLESS OTHERWISE SPECIFIED		TITLE	
THIRD ANGLE PROJECTION	ALL DIMENSIONS IN INCHES DIMENSIONAL LIMITS APPLY BEFORE COATING X.XX ± - X.XXX ± - ANGULAR ± -		CABLE-COIL ASSEMBLY <b>[18/4]</b> SHEET 1 of 1 DRAWING NO. 122-1049 REV <b>2</b>

CV

5

4

3

2