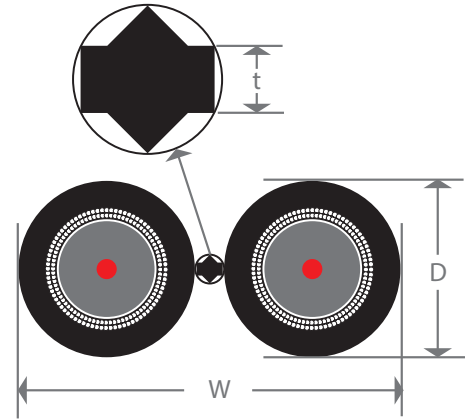


For communication and signal control systems.

Part Number TBD

CONSTRUCTION

Multi-construction	Shotgun
Conductor	Bare copper conductor
Conductor Construction	0.31 ± 0.005 mm
Conductor Size	0.31 mm
Insulation	Foam PE
Avg. Insulation Thickness	0.55 mm
Insulation Dia.	1.40 ± 0.05 mm
Insulation Colour	Natural
Al-Pet Shield	≥ 115%
Braiding	Tinned copper
Construction	T0.10 ± 0.0008 x 80 ± 2 mm
Braiding coverage	95 ± 5%
Jacket	LSZH
Jacket Thickness	0.37 mm
Overall Dia.	(2.75 ± 0.10) x 2
Cable Weight	65 kg/km
Jacket Colour	Black (RAL9005)
Reference Standard	Customer's sample spec and the general standard
Print Legend	ASCENT 32043944 75 Ohm Double Flexible Halogen Free Coaxial 2 HF 75 0.31/1.4 001m...920m



ELECTRICAL CHARACTERISTICS

Max. Conductor DC Resistance at 20°C	< 236 Ω/km
Min. Conductor DC Resistance at 20°C	> 200 Ω/km
Min. Insulation DC Resistance at 20°C	> 5000 MΩ*KM
Rated Temperature	-30~75 °C
Rated Voltage	30V
Voltage Withstand of Sheath	1.5 Kv AC / 2.5 Kv DC
Capacitance	53+/-3 pF/m
Velocity ratio	83%
Impedance	75+/-3 Ω
Bending radius	min 25mm
Flame Retardant	IEC 60332-3-24

Attenuation at 20°C (dB/100m) (+/-5%)

1MHz	2.2
4MHz	4.6
17MHz	8.8
70MHz	16.5
200MHz	Max. 30

Braid Conductor Resistance Max 25 Ω/km

Application: For communication and signal control systems.

All trademarks are property of their respective owners. All specifications are subject to change.

Bristol | Unit 61, Gazelle Rd., Weston Industrial Estate, Weston-super-Mare, North Somerset BS24 9ES UK

Frankfurt | Rudolf-Braas-Strasse 2, D-61381 Friedrichsdorf

Milwaukee | 5001 South Towne Dr. New Berlin, WI 53151 USA

Suzhou | B2-2 Weiting Town Industrial - Workshop A, No. 9 Weixin Rd., Suzhou Industrial Park, Jiangsu, China 215122

Date	Rev	Description	By
2018/10/26	0	Spec created	JJM