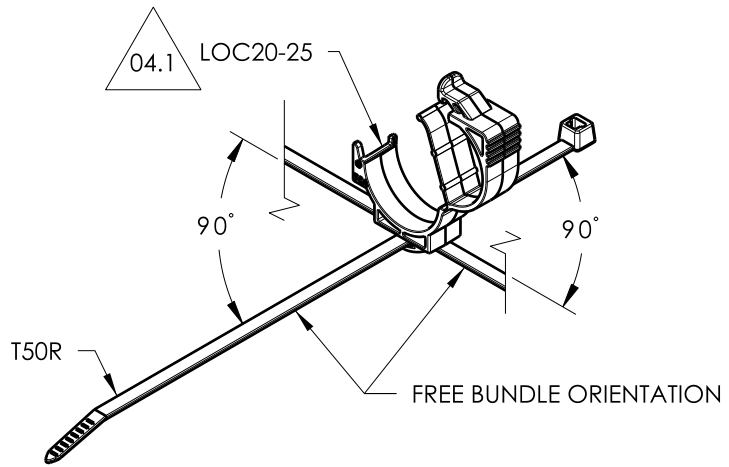
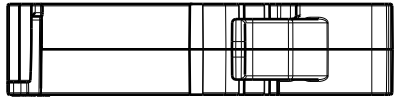
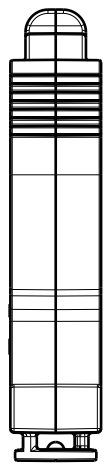
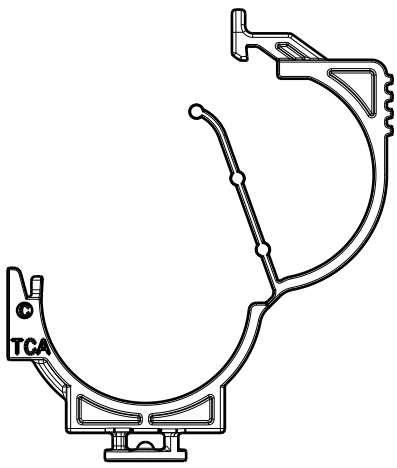


Revision Level			Revision Record	Changed	Date	Approved	Date
Drawing	State	Part					
04.1	Design Release	C	SEE ECN# 013571	KVH	10/10/16	EJH	10/10/16

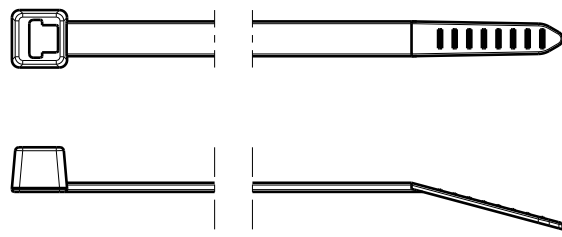
04.1
LOC20-25
DELIVERY CONDITION: UNASSEMBLED SET



ASSEMBLY EXAMPLE
SCALE 1:2



T50R
DELIVERY CONDITION: UNASSEMBLED SET



04.1	UNS-UNIVERSAL NUMBER SYSTEM	TYPE	BUNDLE RANGE	CABLE TIE			MOUNT		
	156-01564	T50RLOC20-25-SET	5 TO 50	DRAWING	MATERIAL	COLOR	DRAWING	MATERIAL	COLOR
				CT2050007CST	PA66HS	BLACK	12-0631-001-CSU	PA66HIRHS	BLACK
Material	Units	millimeters	The copyright of this drawing is reserved by HellermannTyton. It is issued on condition that it is not reproduced, copied or disclosed to a third party, either wholly or in part, without the consent of HellermannTyton.	Drawn	KVH	4/21/15	Article/Type-No		Scale
SEE CHART	Tolerance defined on each dimension			Approved	SJA	4/21/15	SEE CHART		1:1
						Title		12-0631	
						LOCKING OMEGA CLIP (20mm TO 25mm BUNDLE) WITH T50R CABLE TIE			
				Drawing-No		PRODUCTION : Phase	Format		
							AH		
							Sheet		
							1/1		

HellermannTyton
North America
Email: corp@htamericas.com
Web: www.hellermann.tyton.com

12-0631-101-CSU