

NOTES: UNLESS OTHERWISE SPECIFIED

1. MASS PROPERTIES:

VOLUME: CU. IN.
 MASS: LBS.
 SURFACE AREA: SQ. IN.

2. * DENOTES A KEY CHARACTERISTIC.

3. PARTS SHALL COMPLY TO ES695.

4. PANEL IS SUPPLIED WITH MOUNTING HARDWARE FOR PANEL, CONNETOR MOUNTING HARDWARE NOT REQUIRED.

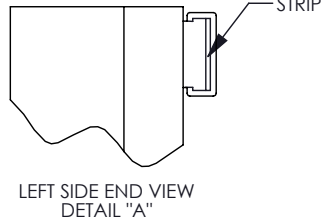
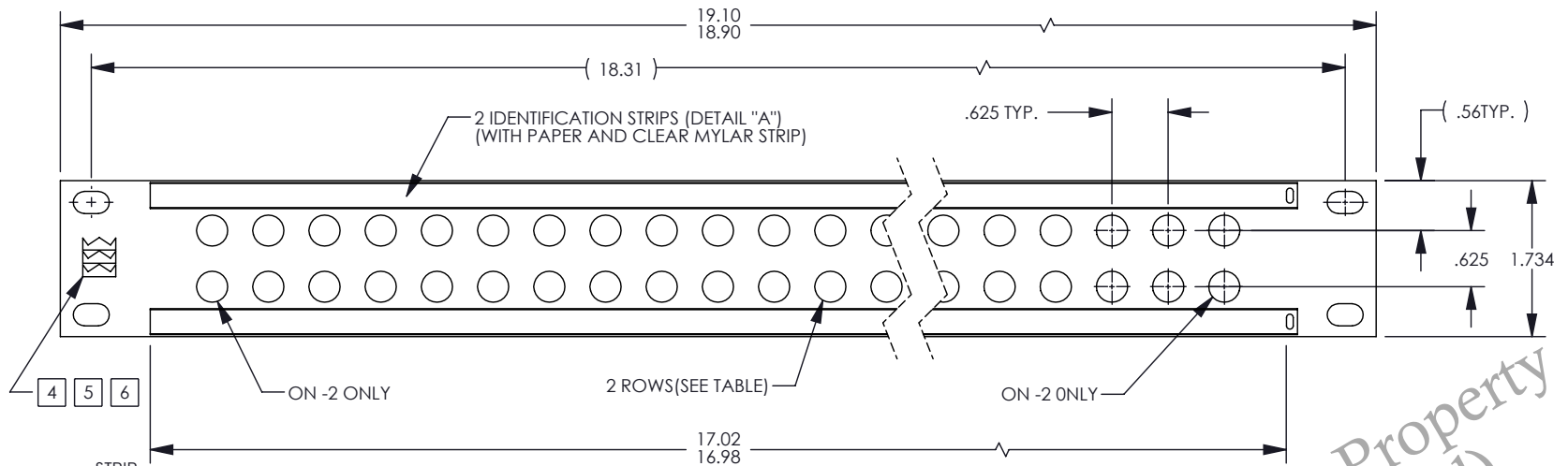
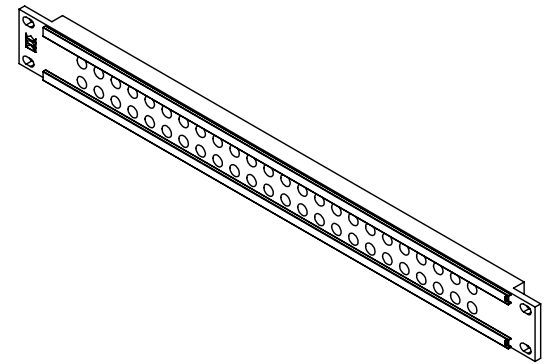
5. KINGS LOGO ISTO BE WHITE WITH BLACK BACKGROUND.

6. LOGO SHOULD BE ON THE LEFT SIDE OF PANEL AND REST EQUALLY SPACED BETWEEN THE MOUNTING HOLES OF THE FLANGE.

7. NO OTHER PRINTING, LABELS, OR MARKINGS OF ANY KIND ALLOWED ON PANEL.

8. MOUNTING PANEL SCREWS TO BE BLACK OXIDE, PHILIPHS HEAD (SLOTTED HEAD OPTIONAL).


9. PANEL DIMENSIONS AND RACK MOUNTING HOLES TO BE IN ACCORDANCE WITH EIA-310.



-2	K-4937	2 X 26 POSITION PANEL, 1RU HIGH	1	-
-1	K-4937	2 X 24 POSITION PANEL, 1RU HIGH	1	-
PART NO.	DRAWING NO.	DESCRIPTION	QTY	

REV	DESCRIPTION	BY	APPD
	REDRAWN AND REVISE PER ER050448	KPL	MS
C		11/05/2013	

PER ASME Y14.5M-1994 UNLESS OTHERWISE SPECIFIED: DIMENSIONS ARE IN INCHES TOLERANCES: DECIMAL: .XX ± .01 .XXX ± .004 .XXXX ± .XXXX ANGLES: ± 1°		THIRD ANGLE
MATERIAL: -----		SCALE: 1:2
FINISH: -----		
DRAWN	DATE	APPROVED
JCA	10/29/92	GA
DATE	10/30/92	
APPROVED	DATE	APPROVED
XXX	XX/XX/XX	XXX



WINCHESTER ELECTRONICS
 Winchester Electronics Corporation
 199 Park Road Ext Suite 104
 Middlebury, Connecticut 06762

POSITION PANEL, 1RU

A	K-4937	SHT	OF	REV
		1	1	G

Winchester Property Confidential