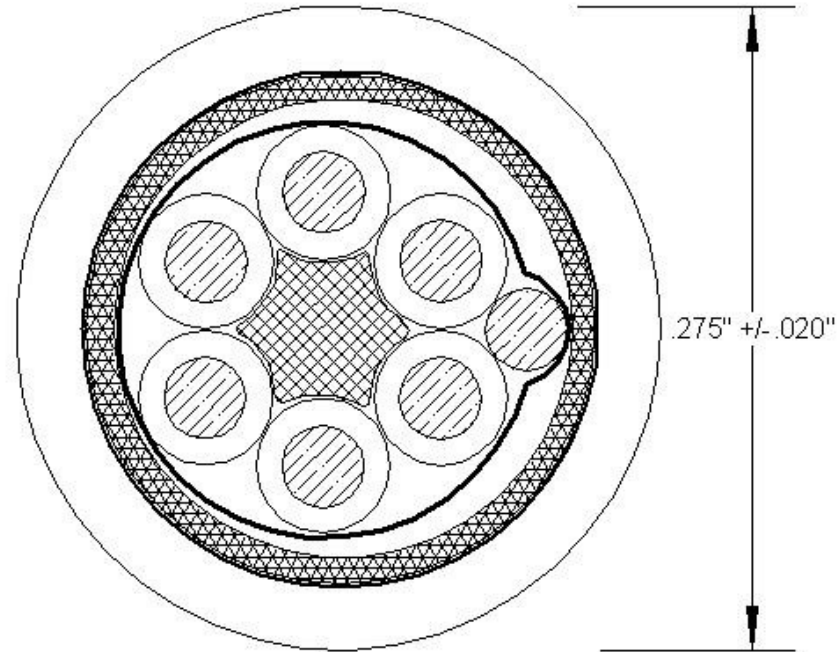


Number of Conductors: 6
 AWG/Strand: 20 awg (10/30) TPC .036" Nom.
 Primary Insulation: .0115" Nominal Wall PVC
 Primary O.D.: .059" +/- .002"
 Color Code: Black, White, Red, Green, Brown, Blue
 Cabled/Bunched: 2.5" Left Hand Lay
 Center Filler: Fibulated Polypropylene
 Drain Wire: 20 awg (10/30) TPC
 Overall Shield: Aluminum/Polyester/Aluminum
 Braid Shield: 36 awg Tinned Plated Copper
 85% Minimum Coverage
 Separator: Tissue Paper
 Jacket: .035" Nominal Wall Glossy Polyurethane
 Pressure Extruded for Roundness
 Jacket Color: Black
 Finished O.D.: .275" +/- .020"
 Jacket Printed: P6C-20GBKGLOSS WWW.MROELECTRONICS.COM
 300 V CE... ROHS...
 Print: White Ink

Revisions			
Rev.	Description	Date	Edit By



Drawing #:	Rev.
P6C-20GBKGLOSS	A

