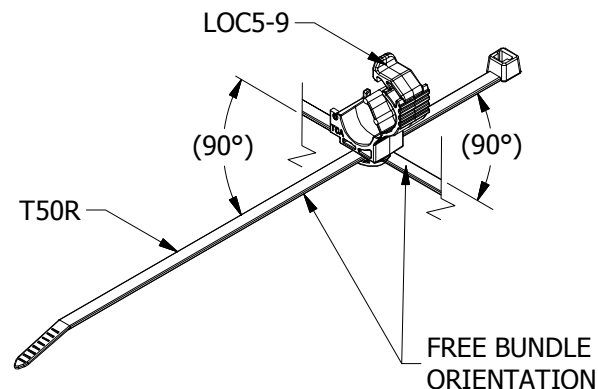
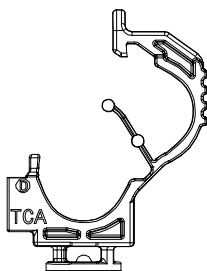
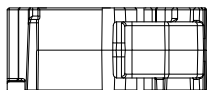
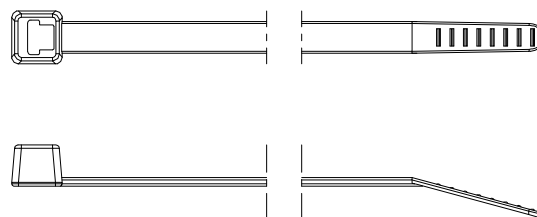


REV	ECN	DESCRIPTION	APVD	DATE
1		FIRST RELEASE	DA	09JUN2017

LOC5-9
DELIVERY CONDITION: UNASSEMBLED SET



T50R
DELIVERY CONDITION: UNASSEMBLED SET



TYPE	BUNDLE RANGE	CABLE TIES		MOUNT	
		DRAWING	MATERIAL	DRAWING	MATERIAL
T50RLOC5-9-SET	5 TO 50	CT2050007CST	PA66HS	12-0430-001-CSU	PA66HIRHS

HELLERMANNTYTON P.N. 156-01289
HELLERMANNTYTON DRAWING 12-0430-111-CSU
(CHRYSLER PN - FC00AAO93460)



UNCONTROLLED WHEN PRINTED
dan.achimescu
06/09/2017 8:27:25 AM

CONFIDENTIAL

THIS DOCUMENT MAY NOT BE DISCLOSED,
OR REPRODUCED BY ANY MEANS WITHOUT
THE WRITTEN CONSENT OF ELECTRICAL
COMPONENT INTERNATIONAL/PYROIL CANADA

ALL DIM IN MM

PYROIL® A TRADEMARK OF ECI

TOLERANCES UNLESS OTHERWISE SPECIFIED

INCHES
DECIMAL XX±.01 XXX±.005
FRACTION ±1/32 ANGLE 2°

MILLIMETERS
LINEAR DIMENSIONS ±.25
RADII ±.5 ANGLES ± 2°

DO NOT SCALE

TITLE

LOCKING OMEGA CLIP

DRAWN
ACHIMESCU 08JUN17
CHECKED
ACHIMESCU 08JUN17
ENG

CHRYSLER

DWG NO

5098