
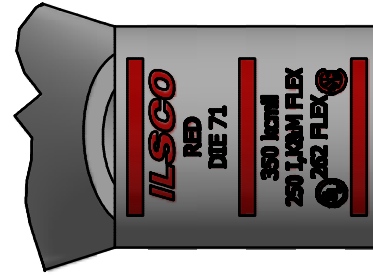
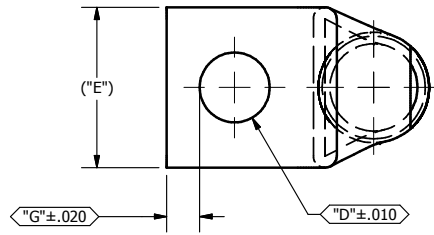
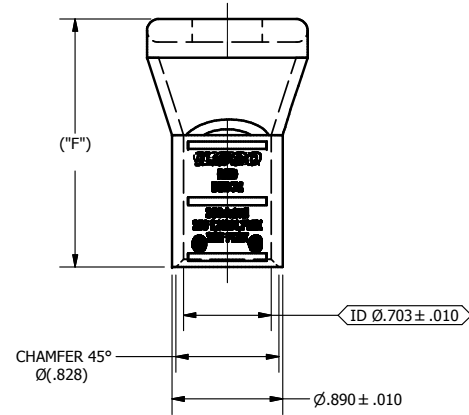
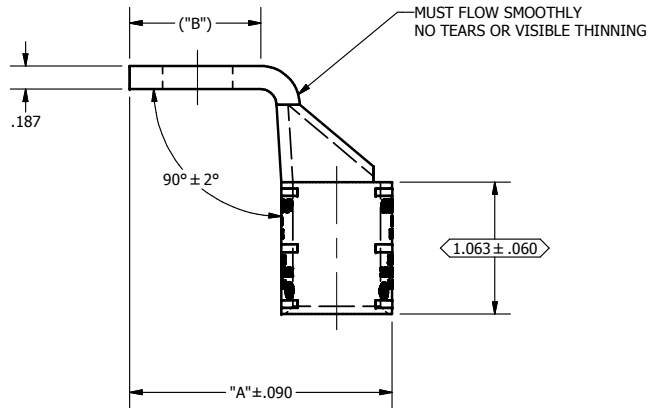


NOTE: MOUNTING SURFACE MUST BE BURR FREE AFTER TUMBLING
2° MAXIMUM PULLBACK ALLOWED ON THE BARREL.

SCREW: NONE	MATERIAL: L119025, CDA-122 CU	TOLERANCES UNLESS OTHERWISE SPECIFIED		
CAT. NO.: SEE CHART	PLATING: EL-TIN	2 PL. DEC. ±.010	TRUE C.L. ±.015	
MASS: NONE	MARKING: SEE CHART	3 PL. DEC. ±.015	ANGLES ±1	DWG NO: Y1311-S-9
INFORMATION SHEET: FORM 157		DRAWN BY: DW	SCALENTS	SHEET: 1 OF 1
CELL: CSP		DATE: 6/3/2008	SIZE: B	REV
		F	C46T-9 SAWCUT 2.881 WAS 3.078 ECO 37830 JG 12/16/16	DESCRIPTION
				APPROVED BY: SS 2/3/17



DETAIL C
INK MARK TOP AND BOTTOM
INK COLOR: RED
PER SPEC # F921



PART NUMBER	CATALOG NUMBER	"A"	"B"	"D"	"E"	"F"	"G"	SAWCUT LENGTH	TANG MARKING
Y1311C36T-9	CSWB-350-14-9	1.930	0.875	0.281	1.291	2.057	0.180	2.878	UL, ILSCO, CSA, CSWB-350-14-9, 1/4, 350 kcmil, 250 I,K,M, 262 FLEX, DIE 71
Y1311C42T-9	CSWB-350-12-9	2.305	1.250	0.562	1.291	2.057	0.265	3.386	UL, ILSCO, CSA, CSWB-350-12-9, 350 kcmil, 250 I,K,M, 262 FLEX, DIE 71
Y1311C43T-9	CSWB-350-58-9	2.492	1.437	0.656	1.291	2.057	0.343	3.440	UL, ILSCO, CSA, CSWB-350-58-9, 5/8, 350 kcmil, 250 I,K,M, 262 FLEX, DIE 71
Y1311C44T-9	CSWB-350-34-9	2.742	1.687	0.781	1.291	2.057	0.359	3.690	UL, ILSCO, CSA, CSWB-350-34-9, 3/4, 350 kcmil, 250 I,K,M, 262 FLEX, DIE 71
Y1311C45T-9	CSWB-350-78-9	2.992	1.937	0.906	1.291	2.057	0.437	3.940	UL, ILSCO, CSA, CSWB-350-78-9, 7/8, 350 kcmil, 250 I,K,M, 262 FLEX, DIE 71
Y1311C46T-9	CSWB-350-38-9	1.930	0.875	0.406	1.291	2.057	0.211	2.881	UL, ILSCO, CSA, CSWB-350-38-9, 3/8, 350 kcmil, 250 I,K,M, 262 FLEX, DIE 71
Y1311C47T-9	CSWB-350-516-9	1.930	0.875	0.343	1.291	2.057	0.180	2.878	UL, ILSCO, CSA, CSWB-350-516-9, 5/16, 350 kcmil, 250 I,K,M, 262 FLEX, DIE 71

THE INFORMATION CONTAINED WITHIN THIS DOCUMENT IS PROPRIETARY TO ILSCO AND MAY NOT BE DISCLOSED WITHOUT PRIOR WRITTEN CONSENT