



From AlphaWire

Coast™ Custom Cable

(310) 639-9473 Phone (310) 763-2225 Fax

Part Number: **11-0829** ___ **199**

Revision: **None**

Customer Name: **Lucero Cables, Inc.**

End Use Customer: **N/A**

Customer P/N: **200-1059-__N**

Customer Revision: **None**

Lead Wire Specification

26 AWG Lead Wire

CONDUCTOR

Wire Size & Type: 26 AWG (19/38) Bare Copper
Nom. Wire Diameter: 0.020

INSULATION

Insulation Type: FEP
Nom. Ins Thickness: 0.010
Lead Wire Diameter: **0.040**
Tolerance (+/-): 0.002

Color	Coast PN	Customer PN
Black	11-0829 BK199	200-1059-0N
Violet	11-0829 V199	200-1059-7N
White	11-0829 WH199	200-1059-9N

*J.W.
12/14/15*



TESTS

Test 1: Physical/Dimensional
Test 2: Spark - 2,000VAC

MISCELLANEOUS

Put Ups: Bulk
Reel: Wood or Plastic
Weight: TBD
Print: None



RoHS

APPROVALS

UL/CSA: None

UNCONTROLLED COPY

Dimensions in inches unless otherwise specified

.XXX = +/- .005 .XX = +/- .02 .X = +/- .1

UNCONTROLLED COPY

Prepared By: Mike Cother

Date: 8/14/2011

Configuration Code: 1511912

Customer Approval:

Title: *Product Mgr*

Date: *12/14/15*

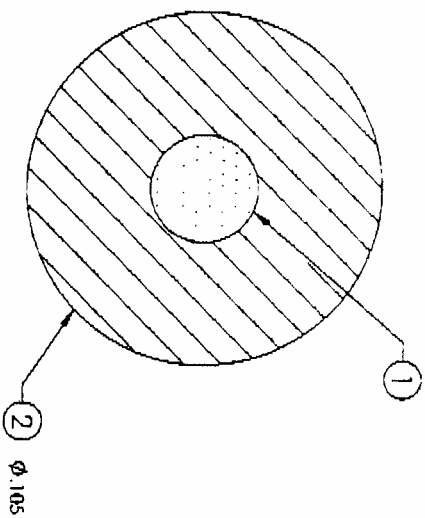
PROPRIETARY NOTICE

This document and any other data disclosed herein is the sole property of Alpha Wire and may not be reproduced, used or disclosed in part or in whole without the written consent of Alpha Wire. Please note that Alpha Wire does not warrant the specifications or designs developed with regard to Form, Fit, or Functionality for any specific end use application, and that the suitability of such and any future liability associated with the manufactured items is the sole responsibility of the end user.

REVISIONS		
REV	DATE	DESCRIPTION
		RELEASED

1
 179M21
 MN-1901-1002

PARTS LIST			
PART NO	ITEM	QTY	DESCRIPTION
TC224D	1	0020 LB	22 AWG 65/40 TC CONDUCTOR Ø .032
EPI 425	2	.00326 LB	SANTO, NAT



INITIAL HERE AND RETURN TO INMCC
 Approved as submitted: NAF Date: 2-19-08
 Approved with changes: _____ Date: _____
 Disapproved / revised: _____ Date: _____
 DRAWING SUBMITTED / Date to customer: _____

BUNDLE/CORE: .032 LH RH: N/A INCH/LAY: LH RH
 SHRID: N/A OD: %COV: _____
 WRAP: N/A LINEAR: SPIRAL
 CRD OD: .105 FINISH: MATTE
 COLOR: _____
 FEATURES: _____

ALL DIMENSIONS ARE IN INCHES UNLESS OTHERWISE SPECIFIED		DRAWN BY: H. SCHNORRICH CHECKED BY: <u>H. Schnorr</u> DESIGN: _____ DATE: <u>2/18/08</u>	DATE: 7/18/08	MINNESOTA WIRE & CABLE CO. 1835 Energy Park Drive St. Paul, MN, U.S.A., 55108 651-642-1800	TITLE: 22 AWG 65/40 TC 1/C SANTO NAT CABLE	MANUFACTURING: _____ DATE: _____	NAME/FCO: MWCC	SHEET: 1 OF 1	DWG NO: 12959	SCARF: 2011 REV: _____
CUSTOMER PART NO	CUSTOMER DWG NO	DATE	DATE	DATE	DATE	DATE	DATE	DATE	DATE	DATE