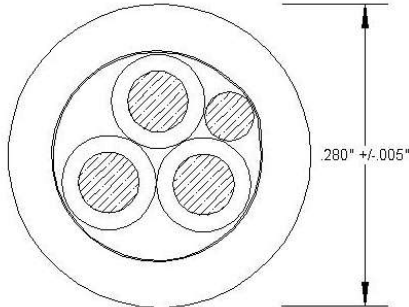


Revisions			
Rev.	Description	Date	Edit By

APPROVED PAUL KARPINSKI / AILEEN JULY 20 2017

Number of Conductors: 3
 AWG/Strand: 16 awg (26/30) TPC .057" Nom.
 Primary Insulation: .015" Nominal Wall Polypropylene
 Primary O.D.: .088" +/- .002"
 Color Code: Black, White, Green
 Cabled/Bunched: 2.5" Left Hand Lay
 Drain Wire: 18 awg (19/30) TPC
 Overall Shield: Aluminum Polyester (Foil In)
 Separator: Tissue Paper
 Jacket: .045" Nominal Wall Glossy Polyurethane
 Pressure Extruded for Roundness
 Jacket Color: Black
 Finished O.D.: 280" +/- .005"
 Jacket Printed: P3C-16GBKGLOSS 300 V CE... ROHS
 WWW.MROELECTRONICS.COM
 Print: White Ink



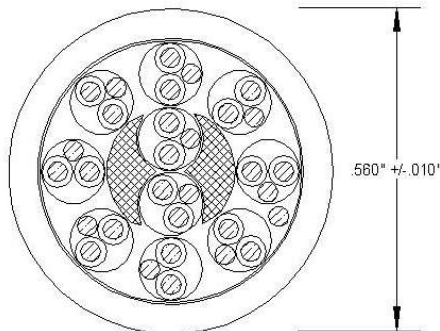
Drawing #:	Rev.
P3C-16GBKGLOSS	A

The logo for Hueson Wire & Cable, featuring the company name in a stylized blue font with a graphic of a wire and a cable below it.

Revisions			
Rev.	Description	Date	Edit By

APPROVED PAUL KARPINSKI / AILEEN JULY 20 2017

Number of Shielded Pairs: 10
 AWG/Strand: 20 awg (10/30) TPC .036" Nom.
 Primary Insulation: .010" Nominal Wall HDPE
 Primary O.D.: .056" +/- .002"
 Individual Drain Wires: 20 awg (10/30) TPC
 Individual Shields: Foil Free Edge Aluminum Polyester (Foil In)
 Twinned" 1.5" Left Hand Lay
 Color Code: Pair 1 Brown-Black + Drain Pair 2 Red-Black + Drain
 Pair 3 Orange-Black + Drain Pair 4 Yellow-Black + Drain
 Pair 5 Green-Black + Drain Pair 6 Blue-Black + Drain
 Pair 7 Violet-Black + Drain Pair 8 Grey-Black + Drain
 Pair 9 White-Black + Drain Pair 10 Pink-Black + Drain
 Cabled: 6.5" Left Hand Lay
 Fillers: Fibulated Polypropylene
 Drain Wire: 20 awg (10/30) TPC
 Overall Shield: Aluminum Polyester (Foil In)
 Separator: Tissue Paper
 Jacket: .045" Nominal Wall Glossy Polyurethane
 Pressure Extruded for Roundness
 Jacket Color: Black
 Finished O.D.: .560" +/- .010"
 Jacket Printed: P10P-20GBKGLOSS 300 V CE... ROHS
 WWW.MROELECTRONICS.COM
 Print: White Ink



Drawing #:	Rev.
P10P-20GBKGLOSS	A

The logo for Hueson Wire & Cable, featuring the company name in a stylized blue font with a graphic of a wire and a cable below it.