

TOLERANCES/UNLESS OTHERWISE SPECIFIED
 2 PL. DEC. ± 0.05 TRUE C.L. ± 0.05
 3 PL. DEC. ± 0.05 ANGLES ± 1

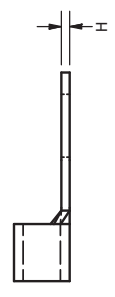
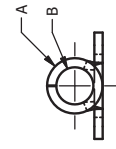
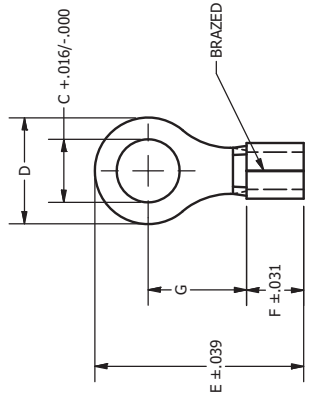
CELL: PUR
 INFORMATION SHT.: FORM192

MATERIAL: COPPER
 PLATING: TIN PLATE
 MARKING: SEE CHART

SCALE: N/A
 DATE: 10/23/2014 SIZE: B

DESCRIPTION
 MULTIPLE CHANGES SEE ECO
 ECO 34881 JG 09/12/14

SCREW: N/A
 CAT. NO.: N/A
 MASS:
 SURFACE AREA: N/A²



Wire Size	Stud Size	R #	ILSCO Part #	A	+/-	B	+/-	C	D	+/-	E	F	G	H	Marking
8	#10	R2318C00T	CBX-8-10	0.283	0.012	0.177	0.012	0.209	0.472	0.008	0.937	0.335	0.366	0.047	K.S, 8 AWG, 8-55
8	#10	R2319C00T	CBX-8-14	0.283	0.012	0.177	0.012	0.252	0.472	0.008	0.917	0.335	0.366	0.047	K.S, 8 AWG, 8-65
8	5/16"	R2320C00T	CBX-8-516	0.283	0.012	0.177	0.012	0.331	0.591	0.008	1.15	0.335	0.535	0.047	K.S, 8 AWG, 8-8
8	3/8"	R2321C00T	CBX-8-38	0.283	0.012	0.177	0.012	0.413	0.591	0.008	1.15	0.335	0.535	0.047	K.S, 8 AWG, 8-10
6	#10	R2322C00T	CBX-6-10	0.354	0.012	0.228	0.008	0.209	0.472	0.008	1.15	0.413	0.524	0.059	K.S, 6 AWG, 14-5
6	1/4"	R2323C00T	CBX-6-14	0.354	0.012	0.228	0.008	0.252	0.472	0.008	1.15	0.413	0.524	0.059	K.S, 6 AWG, 14-6S
6	5/16"	R2324C00T	CBX-6-516	0.354	0.012	0.228	0.008	0.331	0.63	0.008	1.28	0.413	0.559	0.059	K.S, 6 AWG, 14-8
6	3/8"	R2325C00T	CBX-6-38	0.354	0.012	0.228	0.012	0.413	0.63	0.008	1.28	0.413	0.559	0.059	K.S, 6 AWG, 14-10
6	1/2"	R2326C00T	CBX-6-12	0.354	0.012	0.228	0.012	0.512	0.866	0.008	1.613	0.465	0.778	0.067	K.S, 6 AWG, 14-12
4	#10	R2327C00T	CBX-4-10	0.453	0.012	0.303	0.012	0.209	0.48	0.008	1.307	0.465	0.594	0.067	K.S, 4 AWG, 22-5S
4	1/4"	R2328C00T	CBX-4-14	0.453	0.012	0.303	0.012	0.252	0.48	0.008	1.299	0.465	0.594	0.067	K.S, 4 AWG, 22-6S
4	5/16"	R2329C00T	CBX-4-516	0.453	0.012	0.303	0.012	0.331	0.65	0.008	1.319	0.465	0.531	0.067	K.S, 4 AWG, 22-8
4	3/8"	R2330C00T	CBX-4-38	0.453	0.012	0.303	0.012	0.413	0.65	0.008	1.319	0.465	0.531	0.067	K.S, 4 AWG, 22-10
4	1/2"	R2331C00T	CBX-4-12	0.453	0.012	0.303	0.012	0.512	0.866	0.008	1.673	0.465	0.776	0.067	K.S, 4 AWG, 22-12
2	#10	R2332C00T	CBX-2-10	0.524	0.012	0.37	0.012	0.209	0.602	0.008	1.535	0.551	0.685	0.071	K.S, 2 AWG, 38-5
2	1/4"	R2333C00T	CBX-2-14	0.524	0.012	0.37	0.012	0.252	0.602	0.008	1.535	0.551	0.685	0.071	K.S, 2 AWG, 38-6S
2	5/16"	R2334C00T	CBX-2-516	0.524	0.012	0.37	0.012	0.331	0.602	0.008	1.535	0.551	0.685	0.071	K.S, 2 AWG, 38-8S
2	3/8"	R2335C00T	CBX-2-38	0.524	0.012	0.37	0.012	0.413	0.602	0.008	1.535	0.551	0.685	0.071	K.S, 2 AWG, 38-10S
2	7/16"	R2336C00T	CBX-2-716	0.524	0.012	0.37	0.012	0.453	0.866	0.008	1.681	0.551	0.697	0.071	K.S, 2 AWG, 38-11
2	1/2"	R2337C00T	CBX-2-12	0.61	0.02	0.449	0.016	0.512	0.602	0.008	1.535	0.709	0.807	0.071	K.S, 2 AWG, 38-12
1/0	1/4"	R2338C00T	CBX-1/0-14	0.606	0.02	0.449	0.016	0.252	0.866	0.008	1.957	0.709	0.807	0.071	K.S, 1/0 AWG, 60-6
1/0	5/16"	R2339C00T	CBX-1/0-516	0.606	0.02	0.449	0.016	0.331	0.866	0.008	1.957	0.709	0.807	0.071	K.S, 1/0 AWG, 60-8
1/0	3/8"	R2340C00T	CBX-1/0-38	0.606	0.02	0.449	0.016	0.413	0.866	0.008	1.957	0.709	0.807	0.071	K.S, 1/0 AWG, 60-10
1/0	1/2"	R2341C00T	CBX-1/0-12	0.689	0.023	0.516	0.016	0.512	0.945	0.016	1.969	0.693	0.787	0.079	K.S, 1/0 AWG, 60-12
2/0	1/4"	R2342C00T	CBX-2/0-14	0.689	0.023	0.516	0.016	0.252	0.945	0.016	1.969	0.693	0.787	0.079	K.S, 2/0 AWG, 70-6
2/0	5/16"	R2343C00T	CBX-2/0-516	0.689	0.023	0.516	0.016	0.331	0.945	0.016	1.969	0.693	0.787	0.079	K.S, 2/0 AWG, 70-8
2/0	3/8"	R2344C00T	CBX-2/0-38	0.689	0.02	0.516	0.016	0.413	0.945	0.008	1.969	0.693	0.787	0.079	K.S, 2/0 AWG, 70-10
2/0	1/2"	R2345C00T	CBX-2/0-12	0.689	0.02	0.516	0.016	0.512	0.945	0.016	1.969	0.693	0.787	0.079	K.S, 2/0 AWG, 70-12
3/0	1/4"	R2346C00T	CBX-3/0-14	0.768	0.02	0.571	0.016	0.252	1.063	0.012	2.134	0.787	0.815	0.091	K.S, 3/0 AWG, 80-6
3/0	5/16"	R2347C00T	CBX-3/0-516	0.768	0.02	0.571	0.016	0.331	1.063	0.012	2.134	0.787	0.815	0.091	K.S, 3/0 AWG, 80-8
3/0	3/8"	R2348C00T	CBX-3/0-38	0.768	0.02	0.571	0.016	0.413	1.063	0.012	2.134	0.787	0.815	0.091	K.S, 3/0 AWG, 80-10
3/0	1/2"	R2349C00T	CBX-3/0-12	0.768	0.02	0.571	0.016	0.512	1.063	0.012	2.134	0.787	0.815	0.091	K.S, 3/0 AWG, 80-12
4/0	1/4"	R2350C00T	CBX-4/0-14	0.878	+0.028, -0.02	0.646	0.02	0.252	1.122	0.016	2.189	0.827	0.803	0.106	K.S, 100-6
4/0	5/16"	R2351C00T	CBX-4/0-516	0.878	+0.028, -0.02	0.646	0.02	0.331	1.122	0.016	2.189	0.827	0.803	0.106	K.S, 100-8
4/0	3/8"	R2352C00T	CBX-4/0-38	0.878	+0.028, -0.02	0.646	0.02	0.413	1.122	0.016	2.189	0.827	0.803	0.106	K.S, 100-10
4/0	1/2"	R2353C00T	CBX-4/0-12	0.878	+0.028, -0.02	0.646	0.02	0.512	1.122	0.016	2.189	0.827	0.803	0.106	K.S, 100-12

THE INFORMATION CONTAINED WITHIN THIS DOCUMENT IS PROPRIETARY TO ILSCO AND MAY NOT BE DISCLOSED WITHOUT PRIOR WRITTEN CONSENT