

NOTICE TO ALL PERSONS RECEIVING THIS DRAWING

THIS DRAWING IS ONLY CONDITIONALLY ISSUED, AND NEITHER RECEIPT NOR POSSESSION THEREOF CONFERS OR TRANSFERS ANY RIGHT IN, OR LICENSE TO USE THE SUBJECT MATTER OF THE DRAWING OR ANY DESIGN OR TECHNICAL INFORMATION SHOWN THEREON NOR ANY RIGHT TO REPRODUCE THIS DRAWING OR ANY PART THEREOF EXCEPT FOR MANUFACTURE BY VENDORS FOR HARCO LABORATORIES INC AND FOR MANUFACTURE UNDER THE CORPORATION'S WRITTEN LICENSE NO RIGHT TO REPRODUCE THIS DRAWING IS GRANTED UNLESS BY WRITTEN AGREEMENT WITH OR WRITTEN PERMISSION FROM HARCO LABORATORIES INC

ECP	ECR	REL DATE	REV. LET.	REVISION	REV. BY	CHK BY	APPROVED BY		
							ENG	M.E.	QA
		8-15-08	-	DCRA 29088-000-, INITIAL RELEASE	RFP	RFP	RCG	MCJ	JSP

DESCRIPTION:

CONDUCTOR: #22 AWG, 19 STRAND, NICKEL COATED COPPER ALLOY

INSULATION: EXTRUDED PTFE

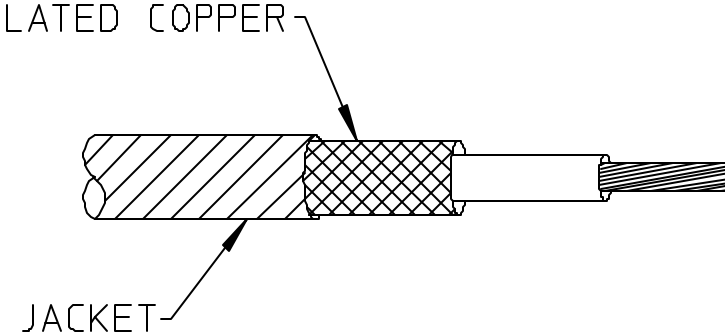
BRAID: NPC

JACKET: WHITE EXTRUDED TEFLON OR SINTERED PTFE TAPE WRAP FUSED (Ø.087)


TEMPERATURE RATING: -55°C TO 260°C

VOLTAGE RATING: 600V

SCREEN-NICKEL PLATED COPPER



SPECIFICATION CONTROL DRAWING

UNLESS OTHERWISE SPECIFIED, DIMENSIONS ARE IN INCHES TOLERANCES ARE: DECIMALS ±.010 FRACTIONS ±1/32 ANGLES ±2° ALL DIAMETERS $\varnothing \pm 0.010$ BREAK EDGES 005-.020 FILLET TO BE 005-.020 SURFACE FINISH 125/√	APPROVALS		DATE	 Laboratories, Inc. BRANFORD, CT 06405-0010		
	DRAWN	RFP	7-30-08			
	CHECKED	RFP	7-30-08	TITLE		
	ENGR	-		WIRE, M27500-22TN1N06		
	DE	RCG	7-30-08	SIZE		
	M.E.	MCJ	7-31-08	CAGE CODE		
	QA	JSP	8-12-08	DRAWING NO.		
MATERIAL SPEC	FINISH SPEC		PREPARED UNDER CONTRACT	B 00060	29088-000	REV.
			FURNISHED UNDER CONTRACT	SCALE	NONE	SHEET 1 OF 1