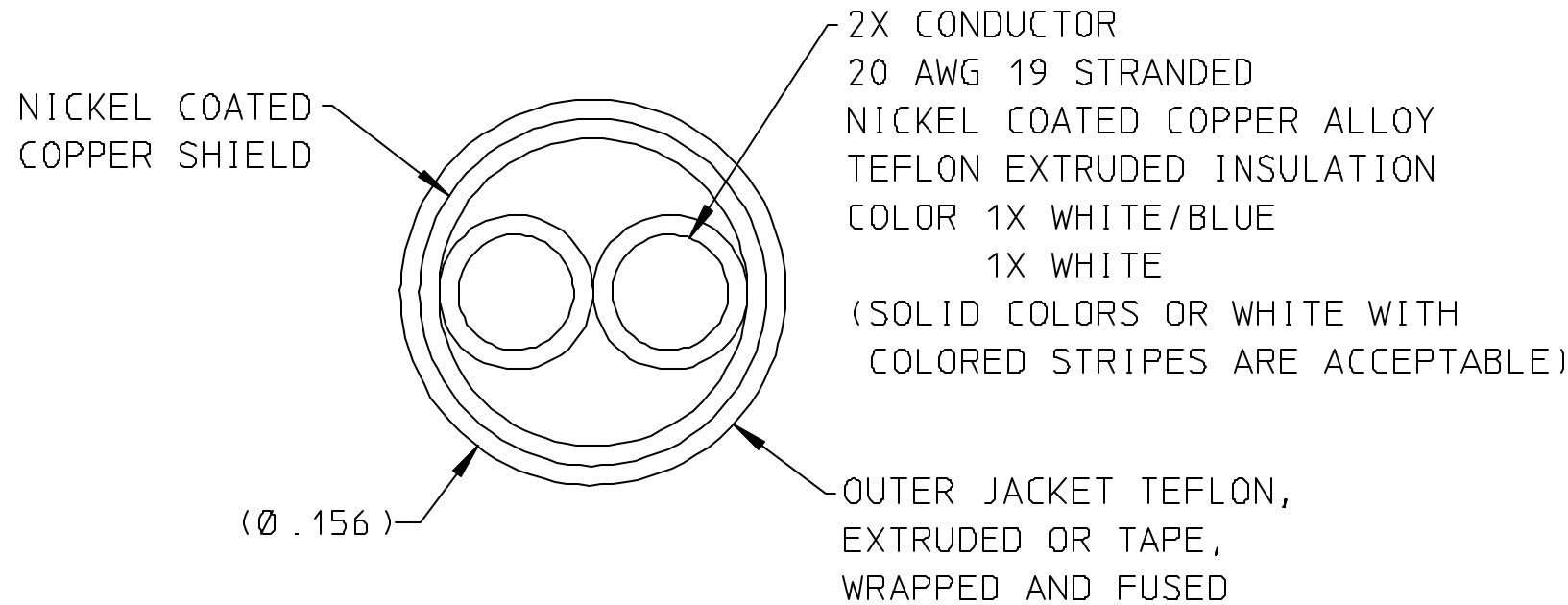


NOTICE TO ALL PERSONS RECEIVING THIS DRAWING

THIS DRAWING IS ONLY CONDITIONALLY ISSUED, AND NEITHER RECEIPT NOR POSSESSION THEREOF CONFERS OR TRANSFERS ANY RIGHT IN, OR LICENSE TO USE THE SUBJECT MATTER OF THE DRAWING OR ANY DESIGN OR TECHNICAL INFORMATION SHOWN THEREON NOR ANY RIGHT TO REPRODUCE THIS DRAWING OR ANY PART THEREOF EXCEPT FOR MANUFACTURE BY VENDORS FOR HARCO LABORATORIES INC AND FOR MANUFACTURE UNDER THE CORPORATION'S WRITTEN LICENSE. NO RIGHT TO REPRODUCE THIS DRAWING IS GRANTED UNLESS BY WRITTEN AGREEMENT WITH OR WRITTEN PERMISSION FROM HARCO LABORATORIES INC

ECP	ECR	REL DATE	REV. LET.	REVISION	REV. BY	CHK BY	APPROVED BY		
							ENG	M.E.	QA
		8-15-08	-	DCRA 29089-000-, INITIAL RELEASE	RFP	RFP	RCG	MCJ	JSP



NOTES:

- CABLE TO MEET THE REQUIREMENTS OF M27500-20TN2N06 FOR:
 - CONDUCTOR CONSTRUCTION.
 - CABLE JACKET INSULATION.
 - SHIELD APPLICATION.
 - ELECTRICAL REQUIREMENTS.
- MARKER TAPE IDENTIFICATION IS NOT REQUIRED IN THIS CABLE.
- CABLES SHALL BE SPOOLED ON PLASTIC REELS WITH INCREMENTAL LENGTHS NOT SHORTER THAN 250 FEET.
- TEMPERATURE RATING: -55°C TO 260°C
- VOLTAGE RATING: 600V

29089-000

PART NUMBER

UNLESS OTHERWISE SPECIFIED,
DIMENSIONS ARE IN INCHES
TOLERANCES ARE:
DECIMALS ± .010
FRACTIONS ± 1/32
ANGLES ± 2°
ALL DIAMETERS $\text{Ⓢ} \pm 0.010$
BREAK EDGES .005-.020
FILLETS TO BE .005-.020
SURFACE FINISH 125 ✓

APPROVALS		DATE
DRAWN	RFP	7-30-08
CHECKED	RFP	7-30-08
ENGR	-	
DE	RCG	7-30-08
M.E.	MCJ	7-31-08
QA	JSP	8-12-08

HARCO **Laboratories, Inc.**
BRANFORD, CT 06405-0010

TITLE
CABLE, ELECTRICAL,
M27500-20TN2N06

MATERIAL SPEC	FINISH SPEC	PREPARED UNDER CONTRACT	SIZE	CAGE CODE	DRAWING NO.	REV.
			B	00060	29089-000	-
		FURNISHED UNDER CONTRACT	SCALE	NONE		SHEET 1 OF 1