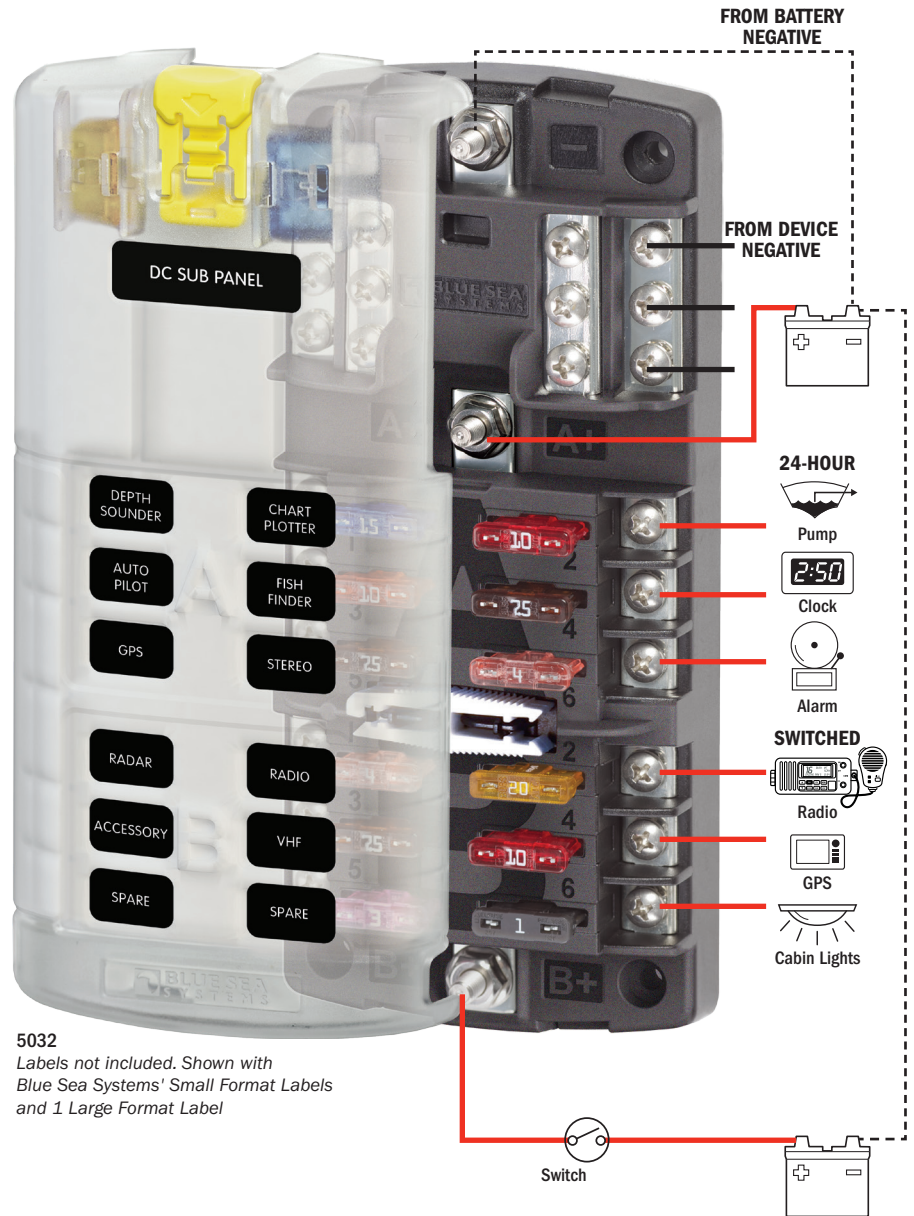


ST Blade

SPLIT BUS FUSE BLOCK

Split Bus Fuse Block with ground for use when a mix of switched and 24-hour circuits are desired in the same block

- Provides two isolated groups of six ATO®/ATC® circuits
- For use with either two isolated batteries or with a single battery providing a mix of 24 hour and switched circuits
- Screw terminals for securing wires accept ring terminals
- One-piece stainless flange nuts ensure safe and secure connections for primary feed wires
- Clear insulating cover with label recesses and storage for two fuses, satisfies ABYC/USCG insulation requirements
- Tin-plated copper buses and fuse clips
- Fuses sold separately

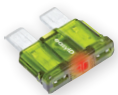


5032
Labels not included. Shown with Blue Sea Systems' Small Format Labels and 1 Large Format Label

Related Products



ATO® or ATC® Fuses



easyID ATC® Fuses

ST Blade

SPLIT BUS FUSE BLOCK

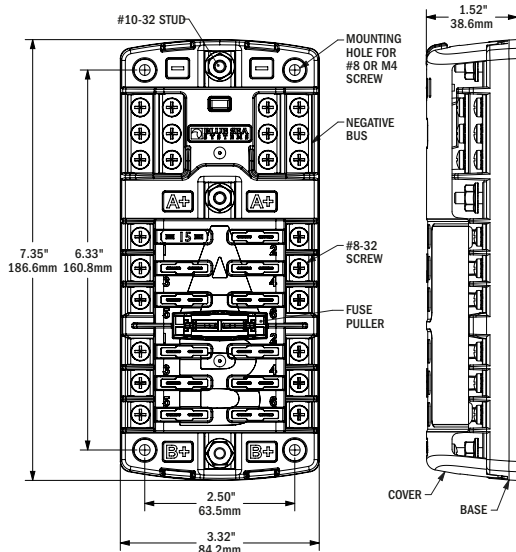
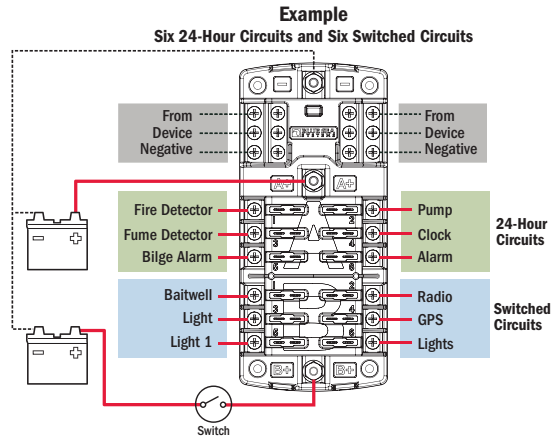
Specifications

Voltage Max. Operating	32V DC
Amperage Max. Operating	30A (per circuit)
Amperage Max. Operating	100A total (not to exceed 80A per load group)
Fuse Type	ATO® or ATC® Fuses
Screw Terminal	#8-32 Screws with captive star lock washer
Mounting	#8 Screw (M4)

For additional specifications see www.blueseas.com

PN	Circuits	Cover	Negative Bus	Positive Bus
5032	12	Yes	#10-32 stud	#10-32 stud

Application Diagram



Additional ST Blade Products

ST Blade Common Source
Fuse Blocks Screw Terminal



5028
6 circuit
Positive bus



5025
6 circuit
Positive and negative bus



5029
12 circuit
Positive bus



5026
12 circuit
Positive and negative bus

ST Blade Independent Source
Fuse Blocks Screw Terminal



5035
6 circuit

ST Blade Battery Terminal Mount
Fuse Block Screw Terminal



5023
4 circuit



Scan for
additional
product
information



425 Sequoia Drive
Bellingham, WA 98226 USA
p 360.738.8230
f 360.734.4195
conductor@blueseas.com
www.blueseas.com

Specifications subject to change.
See blueseas.com for current information.
980018870 Rev.001