

4 Core CMTH-464



CALEB CABLE INDUSTRIAL LIMITED
 Add:Room 806 Landmark North, Hong Kong
 Tel:(852)26688903 Fax:(852)26688701
 Email: info@calebcable.com
 Http:// www.calebcable.com
 Factory Add: No.107, Luyuan Rd., Information Industrial
 Park of the Science City, Tangxia,Dongguan,China
 Tel:(86)0769-87888089 Fax:(86)0769-87888023

Part NO: RGW-2180-2

Product Code: 4 Core CMTH-464

Product Description

Application:

Multi-construction

A+B+C

Construction

A+B+C	A(Single)	B(2 Core)	C(3C Twist)
1.Conductor	Bare Copper	Bare Copper	Bare Copper
Construction	0.15±0.008×7	0.15±0.008×7	0.15±0.008×7
Stranded Dia.(mm)	0.46	0.46	0.46
2.Insulation 1	PE	----	PE
Thickness(mm)	0.26	----	0.17
Dia.(mm)	1.00±0.05	----	0.80±0.05×3C
Insulation Color	Natural	----	Red,Red,White
3.Insulation 2	Conductivity PVC	----	----
Thickness(mm)	0.15	----	----
Dia.(mm)	1.30±0.10	----	----
Insulation Color	Black	----	----
4.Braiding	Bare Copper	----	----
Construction(mm)	0.10±0.008 x 16 x 3	----	----
Coverage	76±5%	----	----
5.Inner Jacket	PVC	PVC	PVC
Thickness(mm)	0.3	0.87	0.25
Dia.(mm)	2.20±0.10	2.20±0.10×2C	2.20±0.10
Jacket Color	Grey(RAL7001)	Black,Green(RAL6017)	Blue(RAL5015)
6.Total Mylar Spiral	≥115%		
7.Jacket	PVC		
Thickness(mm)	0.7		
Dia.(+/-0.20mm)	7.00		
Jacket Color	Black		

8.Marking

No Marking

9.PACKAGING

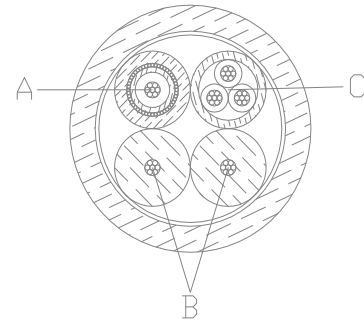
500M/Wooden Drum

Label

RG Wire & Cable Ltd
 4 Core CMTH-464 Black
 500M
 RoHS2(2011/65/EU) Compliant
 2993 RG???? WW/YY

Revision History

Design



Electrical Characteristics

Max.Conductor DC Resistance at 20°C (Ω /Km)	
A	<150.5
B	<150.5
C	<150.5
Rated Temperature(°C)	80
Rated Voltage(V)	300
Min.Insulation DC Resistance at 20°C (M Ω *Km)	>200

RoHS II GUIDELINE

We operate according to the following standards

Control Item	Standard	Testing Method	Testing Equipment
Cadmium content (Cd)	<0.01%	EN1122	ICP-AES
Lead content (Pb)	<0.1%	EPA3050B	ICP-AES
Mercury content (Hg)	<0.1%	EPA3052	ICP-AES
Chromium (VI) content	<0.1%	EPA3060(UN-VIS)	ICP-AES
Polybrominated Biphenyls(PBB)	Forbidden	GC/MS	
Polybrominated Diphenyl Ether (PBDE)	Forbidden	GC/MC	

Prepare: GJQ

Date: 2014-08-08

Approve:

Page: 1 / 1