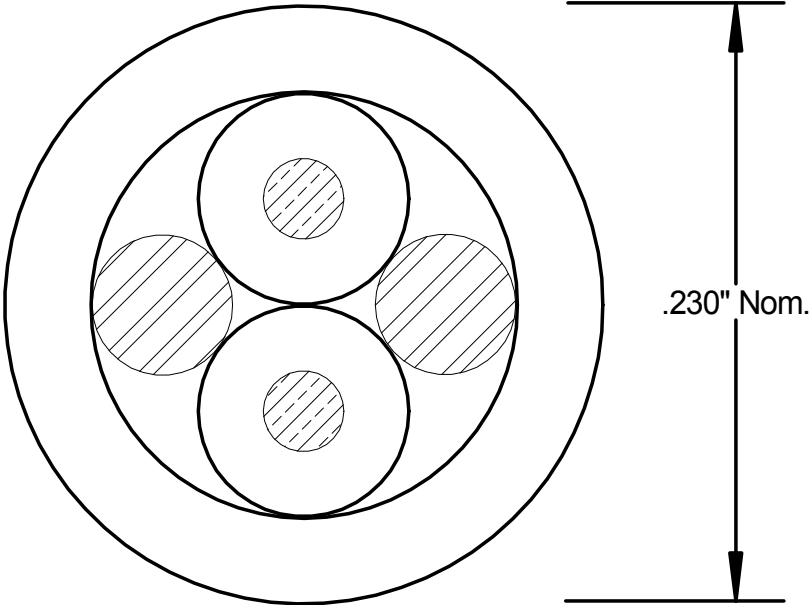


Revisions				
Rev.	Description	Date	Edit By	

Number of Conductors: 2
 AWG/Strand: 22 awg (19/34) Tinned Plated Copper Covered Steel
 Conductor Resistance: 46.5 OHMS/1000 FT Nom. @ 20°C
 Strand O.D.: .031" Nominal
 Primary Insulation: .025" Nominal Wall PVC
 Primary O.D.: .082" +/- .002"
 Primary Color Code: White, Black
 Fillers: .054" Nominal Extruded Solid PVC (White)
 Cabled: 2.25" Left Hand Lay
 Separator: Clear Mylar
 Jacket: .031" Nominal Wall PVC (Tubed)
 Jacket Color: Chrome Dark Gray
 Finished O.D.: .230" Nominal
 Printed: Hueson E174416 RU AWM 2384VW-1 Date Code ROHS
 Printing Ink: Black



Temperature Rating: -20°C to +60°C
 Max. Operating Voltage: 30 Volts RMS
 Max. Conductor Current Per Conductor: 2 AMPS
 Max. Pulling Tension: 44 LBS
 Nom. Weight/1000 FT: 22.5 LBS
 ULAWM: 2384
 Flame Resistant: VW-1

Hueson C5839
 No Copper Factor
 Price Firm .168'

Drawing #:	Rev.
------------	------

