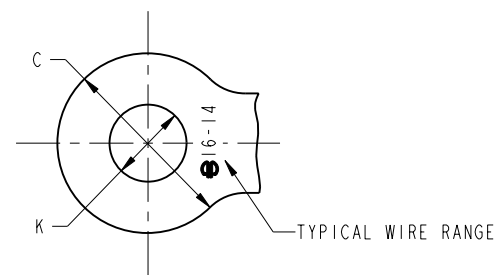
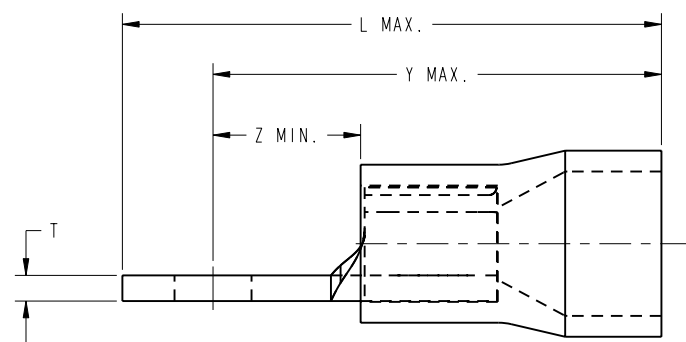
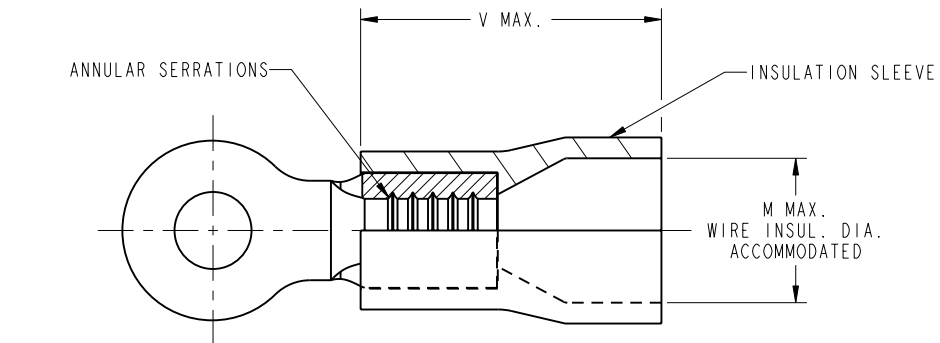


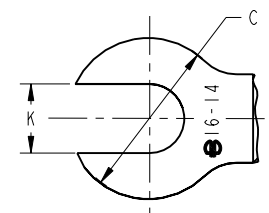
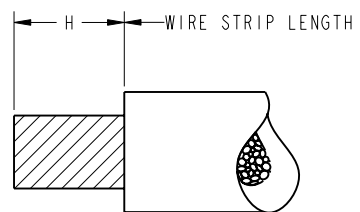
DRAWING NO.
SD060605

ACCOMMODATES	
TERMINALS	CONDUCTOR
TP10_, BA10E_	#12-10 AWG STRANDED WIRE
TP14_, BA14E_	#14 & 16 AWG SOLID & STRANDED WIRE
TP16_, BA16E_	#20-22 AWG SOLID & STR. WIRE #16-18 AWG SOLID & STR WIRE

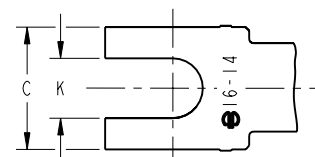
REV	DATE	DESCRIPTION	ECO	BY	C'H'K.
E	01/19/2015 05:00:00 AM	CATALOG TYPE# 4000	38929	RG	BSB



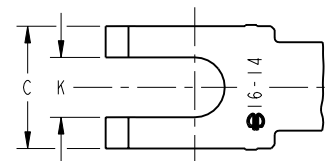
RING
BA__E__, TP__
FIG. 1



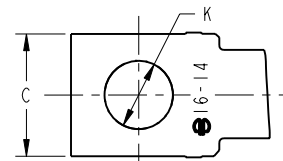
SLOTTED RING
BA__EC_
FIG. 2



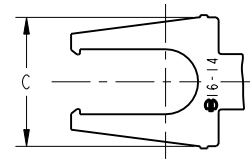
FORK
BA__EF__, TP__F
FIG. 3



FLANGED FORK
BA__EZ__, TP__Z
FIG. 4



RECTANGULAR
BA__ES_
FIG. 5



FORK-LOK
BA__EL__, TP__LF
FIG. 6

- NOTES:
- THIS DRAWING TO BE INTERPRETED PER ASME Y14.5M - 1994.
 - BREAK ALL SHARP EDGES UNLESS OTHERWISE SPECIFIED.
 - MATERIAL:
TERMINAL: COPPER
INSULATION: POLYVINYL CHLORIDE
 - FINISH:
TERMINAL: TIN PLATE.
 - ANY CHANGE TO THIS DWG. WILL AFFECT SKMD19561, METRIC EQUIVALENT DWG.
 - UL LISTED.
 - CSA CERTIFIED.
 - WIRE CONNECTION:
600V. (1000V. IN SIGNS AND FIXTURES) 105°

REFERENCE: FD073827 BA.E. VINYLUG, PK662
SUPERSEDES: SC073939-06

<p>TO ORDER BURNDY® PRODUCTS CALL</p> <p>UNITED STATES 1-800-346-4175 (LONDONDERRY, NH)</p> <p>CANADA: 1-800-361-6975 (QUEBEC) 1-800-387-6487 (ALL OTHER PROVINCES)</p> <p>FOR PRODUCT INFO: http://www.burndy.com</p>	VINYLUG	
	ITEM NO: --	SCALE: 9:000
	CAT. NO: BA__E__, TP__ (SEE TABLE)	
	DRAWN BY: R.TOM 02/16/66	
	CHECKER: S.F.P. 09/19/66	
	DSN APPVL: W.B. 01/12/67	
MFG APPVL: -- --		
QA APPVL: -- --	PROJ. NO: --	
MKT APPVL: -- --	SIZE: D	
PROJ. NO: --	DRAWING NO: SD060605	
DOCUMENT TYPE: Sales	SHEET 1 OF 3	
REL LEVEL: Released	REV: E	

REV: PE0200

DRAWING NO.
SD060605

REV DATE DESCRIPTION ECO BY C'H'K.
E 01/19/2015 05:00:00 AM CATALOG # TP1614F AR00 38929 RG BSB

STUD SIZE	CATALOG NUMBER	BULK CATALOG NUMBER	C		K		Y MAX.	Z MIN.	L MAX.	T	V MAX.	M MAX. WIRE INSUL. DIA. ACCOM.	H	COLOR CODE	FIG.
			MAX.	MIN.	MAX.	MIN.									
2	TP162	BA16E2	.226	.210	.098	.088	.61	.17	.71	.032	.41	.145	1/4"	RED	1
4	TP164	BA16E4	.226	.210	.124	.114	.61	.17	.71						
6	TP166	BA16E6	.258	.242	.150	.140	.62	.18	.74						
8	TP168	BA16E8	.320	.304	.176	.166	.70	.26	.85						
10	TP1610	BA16E10	.320	.304	.202	.192	.70	.26	.85						
1/4	TP1614	BA16E14	.408	.392	.275	.255	.79	.36	.99						
5/16	TP16516	BA16E516	.539	.523	.338	.318	.88	.45	1.15						
3/8	TP1638	BA16E38	.539	.523	.400	.380	.88	.45	1.15						
2	TP142	BA14E2	.226	.210	.098	.088	.61	.17	.71	.032	.41	.180	1/4"	BLUE	1
4	TP144	BA14E4	.226	.210	.124	.114	.61	.17	.71						
6	TP146	BA14E6	.258	.242	.150	.140	.62	.18	.74						
8	TP148	BA14E8	.320	.304	.176	.166	.70	.26	.85						
10	TP1410	BA14E10	.320	.304	.202	.192	.70	.26	.85						
1/4	TP1414	BA14E14	.408	.392	.275	.265	.79	.36	.99						
5/16	TP14516	BA14E516	.539	.523	.338	.318	.88	.45	1.15						
3/8	TP1438	BA14E38	.539	.523	.400	.380	.88	.45	1.15						
4	TP104	BA10E4	.320	.304	.124	.114	.75	.20	.91	.040	.53	.260	11/32"	YELLOW	1
6	TP106	BA10E6	.320	.304	.150	.140	.75	.20	.91						
8	TP108	BA10E8	.366	.350	.176	.166	.81	.26	1.00						
10	TP1010	BA10E10	.366	.350	.202	.192	.81	.26	1.00						
1/4	TP1014	BA10E14	.539	.523	.275	.265	.95	.40	1.22						
5/16	TP10516	BA10E516	.539	.523	.338	.318	.95	.40	1.22						
3/8	TP1038	BA10E38	.539	.523	.400	.380	1.00	.45	1.27						
1/2	TP1012	BA10E12	.726	.710	.535	.515	1.15	.61	1.52						
10	-	BA10E10T1	.320	.304	.202	.192	.75	.20	.91						
2	-	BA16EC2	.226	.210	.098	.088	.61	.17	.70	.032	.41	.145	1/4"	RED	2
4	-	BA16EC4	.226	.210	.124	.114	.61	.17	.70						
6	-	BA16EC6	.258	.242	.150	.140	.62	.18	.72						
8	-	BA16EC8	.320	.304	.176	.166	.70	.26	.83						
10	-	BA16EC10	.320	.304	.202	.192	.69	.26	.81						
1/4	-	BA16EC14	.408	.392	.275	.255	.79	.36	.94						
5/16	-	BA16EC516	.539	.523	.338	.318	.88	.45	1.09						
3/8	-	BA16EC38	.539	.523	.400	.380	.88	.45	1.06						
2	-	BA14EC2	.226	.210	.098	.088	.61	.17	.70	.032	.41	.180	1/4"	BLUE	2
4	-	BA14EC4	.226	.210	.124	.114	.61	.17	.70						
6	-	BA14EC6	.258	.242	.150	.140	.62	.18	.72						
8	-	BA14EC8	.320	.304	.176	.166	.70	.26	.83						
10	-	BA14EC10	.320	.304	.202	.192	.69	.26	.81						
1/4	-	BA14EC14	.408	.392	.275	.265	.79	.36	.94						
5/16	-	BA14EC516	.539	.523	.338	.318	.88	.45	1.09						
3/8	-	BA14EC38	.539	.523	.400	.380	.88	.45	1.06						
4	-	BA10EC4	.320	.304	.124	.114	.75	.20	.89	.040	.53	.260	11/32"	YELLOW	2
6	-	BA10EC6	.320	.304	.150	.140	.75	.20	.88						
8	-	BA10EC8	.366	.350	.176	.166	.81	.26	.97						
10	-	BA10EC10	.366	.350	.202	.192	.81	.26	.97						
1/4	-	BA10EC14	.539	.523	.275	.265	.95	.40	1.18						
5/16	-	BA10EC516	.539	.523	.338	.318	.95	.40	1.16						
3/8	-	BA10EC38	.539	.523	.400	.380	1.00	.45	1.18						
1/2	-	BA10EC12	.726	.710	.535	.515	1.15	.061	1.50						

STUD SIZE	CATALOG NUMBER	BULK CATALOG NUMBER	C		K		Y MAX.	Z MIN.	L MAX.	T	V MAX.	M MAX. WIRE INSUL. DIA. ACCOM.	H	COLOR CODE	FIG.
			MAX.	MIN.	MAX.	MIN.									
2	TP162F	BA16EF2	.178	.166	.098	.088	.66	.23	.75	.032	.41	.145	1/4"	RED	3
6	TP166F	BA16EF6	.287	.275	.150	.140	.66	.23	.80						
8	TP168F	BA16EF8	.318	.306	.176	.166	.69	.26	.86						
10	TP1610F	BA16EF10	.412	.400	.202	.192	.75	.31	.95						
10	-	BA16EF10T1	.365	.353	.202	.192	.75	.31	.93						
2	TP142F	BA14EF2	.178	.166	.098	.088	.66	.23	.75	.032	.41	.180	1/4"	BLUE	3
6	TP146F	BA14EF6	.287	.275	.150	.140	.66	.23	.80						
8	TP148F	BA14EF8	.318	.306	.176	.166	.69	.26	.86						
10	TP1410F	BA14EF10	.412	.400	.202	.192	.75	.31	.95						
10	-	BA14EF10T1	.365	.353	.202	.192	.75	.31	.93						
6	TP106F	BA10EF6	.287	.275	.150	.140	.81	.26	.95	.040	.53	.260	11/32"	YELLOW	3
8	TP108F	BA10EF8	.318	.306	.176	.166	.81	.26	.98						
10	TP1010F	BA10EF10	.412	.400	.202	.192	.87	.31	1.07						
10	-	BA10EF10T1	.365	.353	.202	.192	.87	.31	1.05						
1/4	TP1014F	-	.475	.460	.265	.255	-	.46	1.269						
2	TP162Z	BA16EZ2	.178	.166	.098	.088	.66	.23	.78	.032	.41	.145	1/4"	RED	4
6	TP166Z	BA16EZ6	.287	.275	.150	.140	.66	.23	.83						
8	TP168Z	BA16EZ8	.318	.306	.176	.166	.69	.26	.88						
10	TP1610Z	BA16EZ10	.412	.400	.202	.192	.75	.31	.96						
10	-	BA16EZ10T1	.365	.353	.202	.192	.75	.31	.96						

REV: PE0200

<p>TO ORDER BURNDY® PRODUCTS CALL</p> <p>UNITED STATES 1-800-346-4175 (LONDONDERRY, NH)</p> <p>CANADA: 1-800-361-6975 (QUEBEC) 1-800-387-6487 (ALL OTHER PROVINCES)</p> <p>FOR PRODUCT INFO: http://www.burndy.com</p>	VINYLUG	
	ITEM NO: --	
	CAT. NO: BA_E_, TP_ (SEE TABLE)	
	DRAWN BY: R.TOM 02/16/66	
	CHECKER: S.F.P. 09/19/66	
	DSN APPVL: W.B. 01/12/67	
	MFG APPVL: --	
	QA APPVL: --	
	MKT APPVL: --	
	PROD FAM: CM&R COMPRESSION	DRAWING NO
PROJECT #: --	SIZE	SD060605
DOCUMENT TYPE: Sales	D	SHEET 2 OF 3
REL LEVEL: Released		E

DRAWING NO.
SD060605

REV	DATE	DESCRIPTION	ECO	BY	C'H'K.
E	01/19/2015 05:00:00 AM	CATALOG # TP1010Z	38929	RG	BSB

STUD SIZE	CATALOG NUMBER	BULK CATALOG NUMBER	C		K		Y MAX.	Z MIN.	L MAX.	T	V MAX.	M MAX. WIRE DIA.	INSUL. ACCOM.	H	COLOR CODE	FIG.
			MAX.	MIN.	MAX.	MIN.										
2	TP142Z	BA14EZ2	.178	.166	.098	.088	.66	.23	.78	.032	.41	.180	1/4"	BLUE	4	
6	TP146Z	BA14EZ6	.287	.275	.150	.140	.66	.23	.83							
8	TP148Z	BA14EZ8	.318	.306	.176	.166	.69	.26	.88							
10	TP1410Z	BA14EZ10	.412	.400	.202	.192	.75	.31	.96							
10	-	BA14EZ10T1	.365	.353	.202	.192	.75	.31	.96	.040	.53	.260	11/32"	YELLOW	4	
6	TP106Z	BA10EZ6	.287	.275	.150	.140	.81	.26	.99							
8	TP108Z	BA10EZ8	.318	.306	.176	.166	.81	.26	1.01							
10	TP1010Z	BA10EZ10	.412	.400	.202	.192	.87	.31	1.09							
10	-	BA10EZ10T1	.365	.353	.202	.192	.87	.31	1.09	.032	.41	.145	1/4"	RED	5	
2	-	BA16ES2	.178	.166	.098	.088	.66	.23	.75							
6	-	BA16ES6	.287	.275	.150	.140	.66	.23	.80							
8	-	BA16ES8	.318	.306	.176	.166	.69	.26	.86							
10	-	BA16ES10	.412	.400	.202	.192	.75	.31	.95							
10	-	BA16ES10T1	.365	.353	.202	.192	.75	.31	.93	.032	.41	.180	1/4"	BLUE	5	
2	-	BA14ES2	.178	.166	.098	.088	.66	.23	.75							
6	-	BA14ES6	.287	.275	.150	.140	.66	.23	.80							
8	-	BA14ES8	.318	.306	.176	.166	.69	.26	.86							
10	-	BA14ES10	.412	.400	.202	.192	.75	.31	.95							
10	-	BA14ES10T1	.365	.353	.202	.192	.75	.31	.93	.040	.53	.260	11/32"	YELLOW	5	
6	-	BA10ES6	.287	.275	.150	.140	.81	.26	.95							
8	-	BA10ES8	.318	.306	.176	.166	.81	.26	.98							
10	-	BA10ES10	.412	.400	.292	.102	.87	.31	1.07							
10	-	BA10ES10T1	.365	.353	.292	.102	.87	.31	1.05							
6	TP166LF	BA16EL6	.289	.273	.146	.136	.66	.23	.87	.032	.41	.145	1/4"	RED	6	
8	TP168LF	BA16EL8	.321	.305	.172	.162	.69	.26	.91							
10	TP1610LF	BA16EL10	.367	.351	.198	.188	.75	.31	1.02							
6	TP146LF	BA14EL6	.289	.273	.146	.136	.66	.23	.87	.032	.41	.180	1/4"	BLUE	6	
8	TP148LF	BA14EL8	.321	.305	.172	.162	.69	.26	.91							
10	TP1410LF	BA14EL10	.367	.351	.198	.188	.75	.31	1.02							
6	TP106LF	BA10EL6	.289	.273	.146	.136	.81	.26	1.05	.040	.53	.260	11/32"	YELLOW	6	
8	TP108LF	BA10EL8	.321	.305	.172	.162	.81	.26	1.07							
10	TP1010LF	BA10EL10	.367	.351	.198	.188	.87	.31	1.16							

REV: PE0200

TO ORDER BURNDY® PRODUCTS CALL UNITED STATES 1-800-346-4175 (LONDONDERRY, NH) CANADA: 1-800-361-6975 (QUEBEC) 1-800-387-6487 (ALL OTHER PROVINCES) FOR PRODUCT INFO: http://www.burndy.com		VINYLUG	
		ITEM NO: -- CAT. NO: BA_E_, TP_ (SEE TABLE) DRAWN BY: R.TOM 02/16/66 CHECKER: S.F.P. 09/19/66 DSN APPVL: W.B. 01/12/67 MFG APPVL: -- QA APPVL: -- MKT APPVL: --	BURNDY SCALE: NTS
PROD FAM: CM&R COMPRESSION PROJECT #: -- DOCUMENT TYPE: Sales REL LEVEL: Released		DRAWING NO SD060605 SHEET 3 OF 3	REV E

8 7 6 5 4 3 2 1